



# Tabletop and Internal Tape Drive Installation Instructions

## Congratulations!

You have purchased the finest, most reliable digital data storage (DDS) drive available. The DDS-4 (models STD2401LW and STD6402W) and DAT 72 (models CD72LWH, CD72LWE, CD72SE, and CD72SH) drives represent Quantum's commitment to engineering reliable and durable tape drive products that implement leading-edge technology designed for computer environments that require high-performance, high-capacity data storage, the DDS-4 and DAT 72 drives are based on a 3.5-inch mechanism and are available as internal, tabletop, and rackmount tape drives. The drives combine established Digital Audio Tape (DAT) technology, high-density recording, and hardware data-compression capabilities with Quantum's proven computer-grade design to provide unmatched reliability and performance characteristics among DDS products.

### Table of Contents

- Installing the Tabletop Tape Drive with a SCSI Connector .....2
- Installing the Tabletop Tape Drive with a USB Connector .....3
- Installing the Internal Tape Drive with a SCSI Connector .....5
- Installing the Internal Tape Drive with a SATA Connector .....8
- Safety Compliance .....10
- Electromagnetic Compatibility (EMC) .....11
- French .....12
- German .....23
- Spanish .....34
- Japanese .....45
- Korean .....56
- Simplified Chinese .....67
- Traditional Chinese .....78

## Table Tape Drive

### Installing a Tabletop Tape Drive with a SCSI Connector

To install a tabletop tape drive with a SCSI Connector:

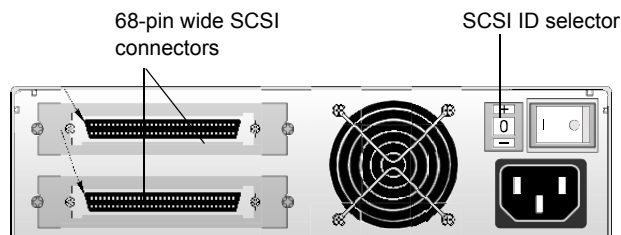
- 1 Unpack the contents of your drive package. If any item is damaged, please contact your place of purchase immediately.

Figure 1 External Drive



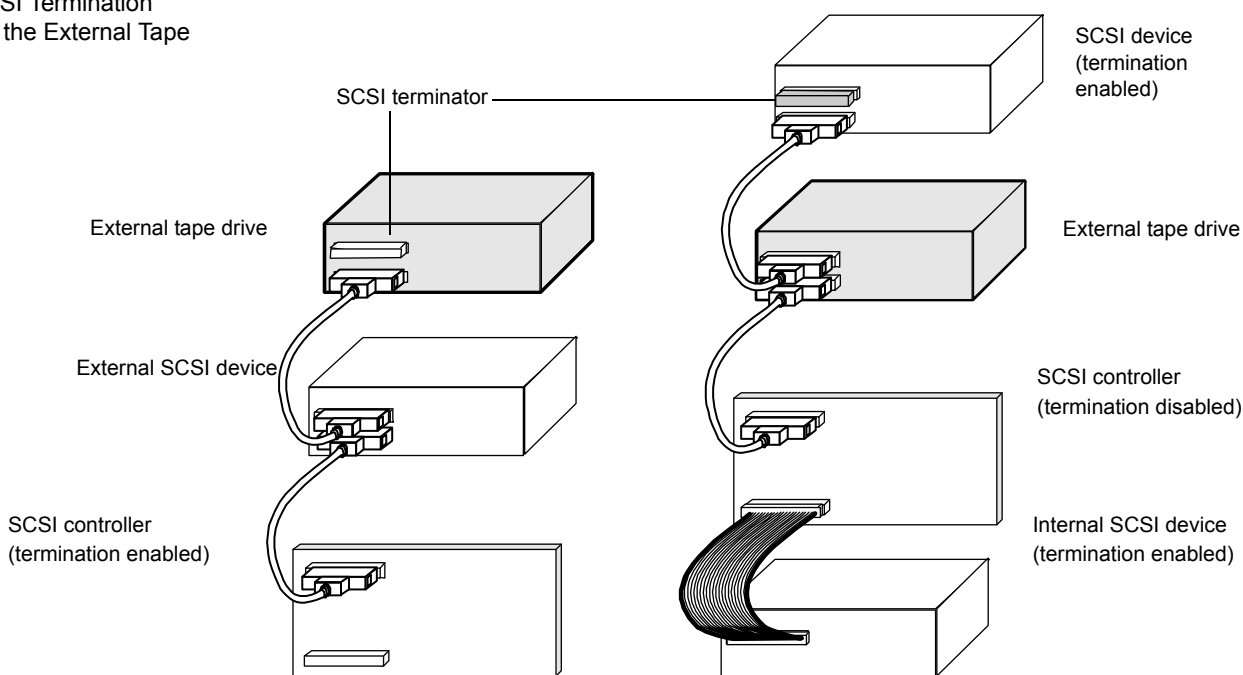
- 2 In addition to the contents included with your tabletop tape drive, you need the following items:
  - A SCSI host bus adapter that is properly installed and configured in a host computer.
  - A 50-to-68 pin adapter, if your computer has a narrow SCSI interface connector.
  - Backup application software that supports the tape drive. For a list of the latest backup software applications tested with the DDS-4 and DAT 72 tape drives, please visit our Web site at [www.quantum.com/support](http://www.quantum.com/support).
- 3 Review the drive's default settings and change them if necessary: (For detailed setting information and the location of switches, please refer to your User's Guide on the CD-ROM.)
  - SCSI ID: 6
  - Parity Checking: Enabled
  - Terminator Power: Supplied to the SCSI bus
  - Data Compression: Enabled
  - Media Recognition (DDS-4 drives only): Enabled
  - Power-On Self-Test: Enabled
  - Host Operating System: Windows 98/Me/XP/NT/2000/2003 Server
  - SCSI Interface Compatibility (DDS-4 drives only): Wide SCSI
  - Vendor ID: SEAGATE DAT
- 4 Connect a SCSI interface cable to the drive. You can use either connector to attach the drive to the host computer or to another SCSI device.

Figure 2 SCSI Termination  
Examples of the External Tape Drive



5 Check the SCSI termination.

Figure 3 SCSI Termination  
Examples of the External Tape Drive



Example 1: SCSI termination in a system that has only external SCSI devices.

Example 2: SCSI termination in a system that has both internal and external SCSI devices.

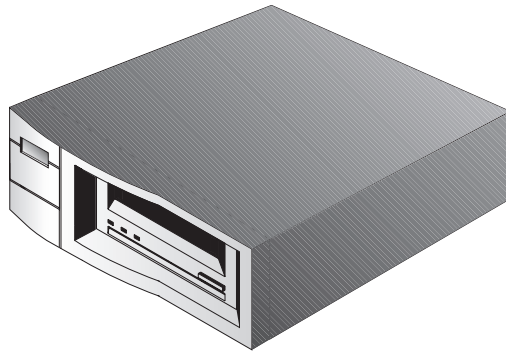
- 6 Connect a power cable to the AC power connector on the back of the tape drive. Connect the other end of the power cable to a working AC outlet.
- 7 Turn on the computer, turn on the tape drive, and verify that the tape drive is operating properly.
- 8 Register your tape drive at <http://www.quantum.com/registration>.

**Installing a Tabletop Tape Drive with a USB Connector**

To install the tabletop tape drive with a USB connector:

- 1 Unpack the contents of your drive package. If any item is damaged, please contact your place of purchase immediately.

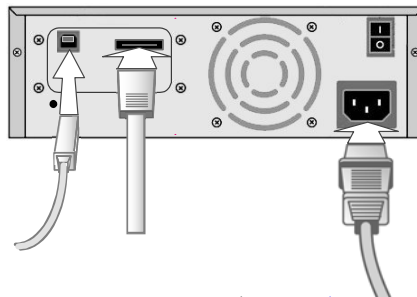
Figure 4 External Drive



- 2 In addition to the contents included with your tabletop tape drive, you need the following items:
  - USB or eSATA cable
- 3 Connect the USB or eSATA cable to the tape drive and to the USB or eSATA port on your computer.

**Note: USB Tape Drives Only** – For optimum performance, the USB tape drive should be connected to a USB 2.0 port and be the only device on the root hub.

Figure 5 Connecting the Cables — USB/eSata Tape Drive



- 4 Register your tape drive at <http://www.quantum.com/registration>.

## Internal Tape Drive

### Important Safety Precautions

Your internal tape drive has very sensitive components that are prone to damage from electrostatic discharge (ESD). Use extreme care when handling the drive, as it can be damaged by ESD. Before handling the drive, read these ESD instructions to prevent damage to the drive.

- Wear an ESD-preventive grounding wrist strap or observe similar ESD precautions when working with the drive. Be sure the wrist strap makes good skin contact. Do not remove the wrist strap until you finish working with the drive.

- Avoid contact between the drive, other equipment, and clothing. The wrist strap only protects the equipment from ESD voltages on the body; ESD voltages on clothing can still cause damage.
- When the drive is not being used, keep it in its antistatic bag.
- Before you remove the drive from the antistatic bag, touch a metal or grounded surface to discharge any static electricity buildup from your body.
- Hold the drive by its edges only. Avoid touching any exposed parts on the printed circuit board.
- Always place the drive on top of or inside the antistatic bag to reduce the chance of ESD damage.

### Installing an Internal Tape Drive with a SCSI Connector

To install an internal tape drive with a SCSI connector:

- 1 Unpack the contents of your drive package. If any item is damaged, please contact your place of purchase immediately.
- 2 In addition to the contents included with your tape drive, you need the following items:
  - A SCSI host bus adapter (for SCSI drives) that is properly installed and configured in a host computer
  - A 3.5-inch or 5.25-inch half-height bay
  - A SCSI ribbon cable
  - Backup application software that supports the tape drive. For a list of the latest backup software applications tested with the internal DDS-4 and DAT 72 tape drives, please visit our Web site at [www.quantum.com/support](http://www.quantum.com/support).
- 3 Before proceeding with the installation, gather the tools you will need to install the internal tape drive into the computer mounting bay. The following list identifies some of the tools you will need:
  - Phillips screwdriver
  - Flat blade screwdriver, if your computer uses flathead screws
  - TORX screwdriver, if your computer uses TORX screws
  - Computer documentation, which you can refer to during the installation

You may need additional items, depending on your installation requirements.
- 4 Review the drive's default settings and change them if necessary: (For detailed setting information, please refer to your User's Guide on the CD-ROM.)
  - Parity Checking: Enabled
  - Terminator Power: Supplied to the SCSI bus
  - Data Compression: Enabled
  - Media Recognition (DDS-4 drives only): Enabled
  - Power-On Self-Test: Enabled
  - Vendor ID: SEAGATE DAT

- Host Operating System: Windows 98, Windows Me, Windows XP, Windows NT, Windows 2000/2003 Server
- SCSI ID: 6
- SCSI Interface Compatibility (DDS-4 drives only):
- Wide SCSI

Figure 6 Internal Jumper and Switch Settings

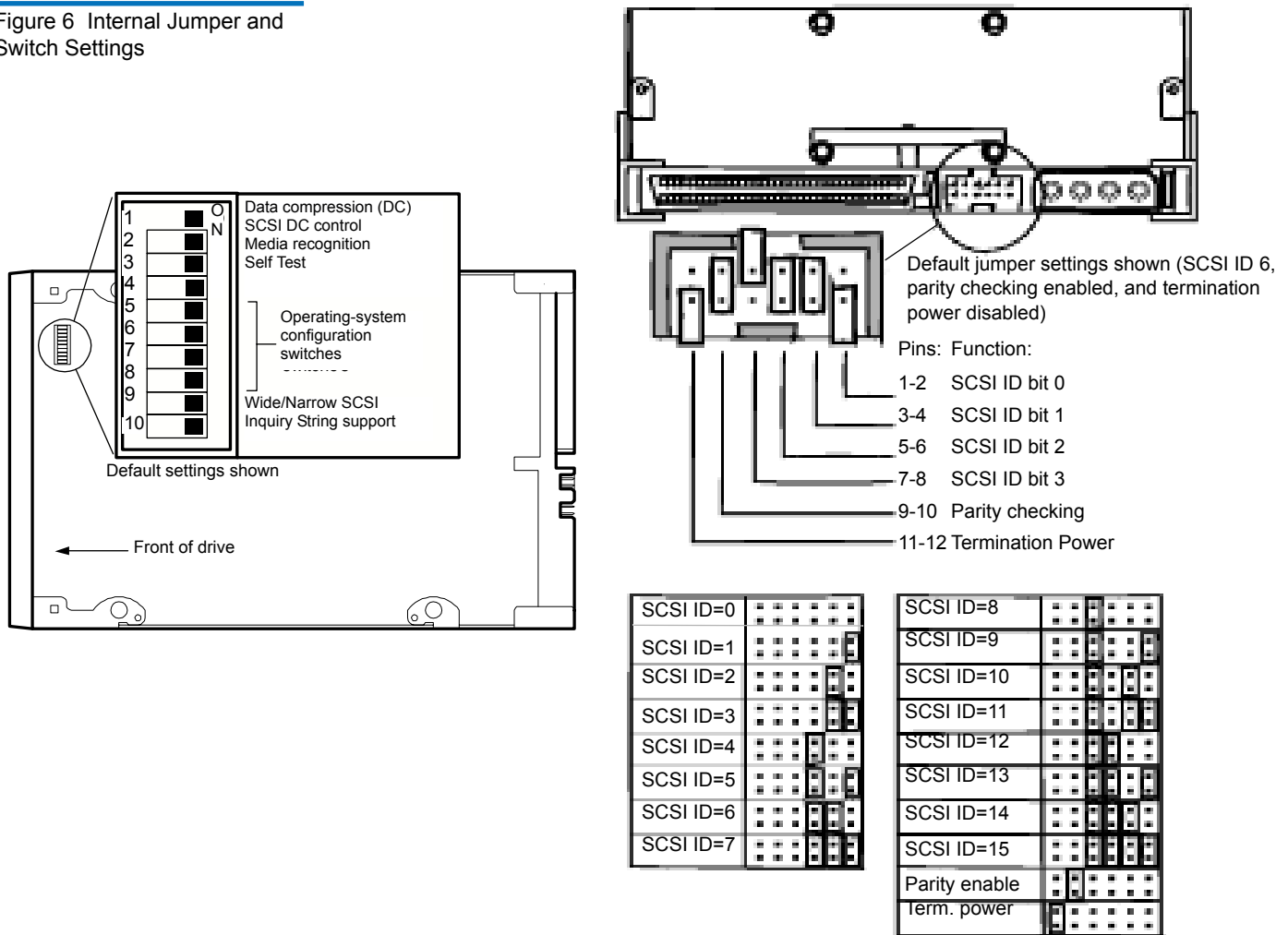
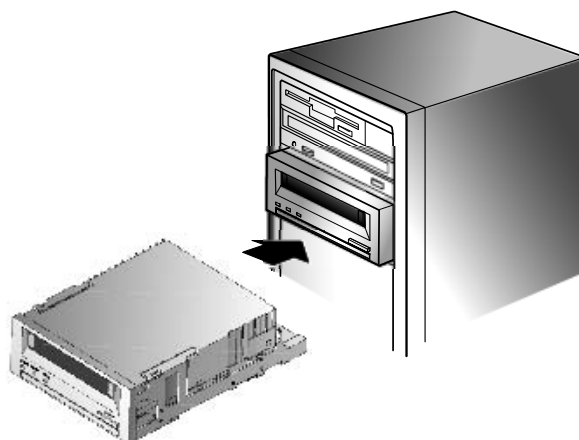


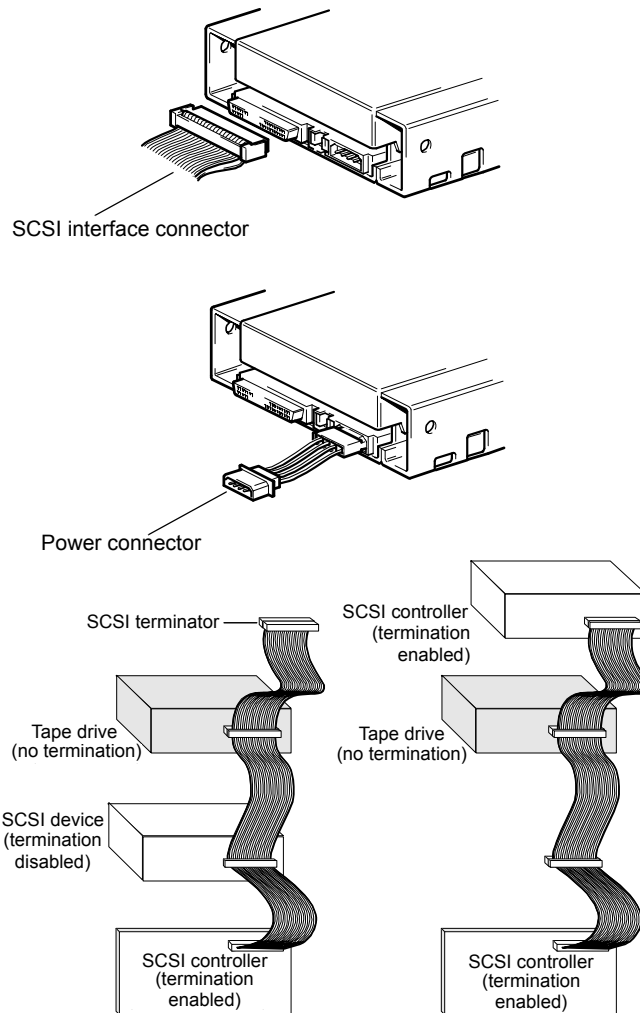
Figure 7 Mounting Internal Tape Drive



- 5 Turn off your computer, remove its covers and power cord, and select a mounting bay for the drive. Depending on your drive, select a 3.5-inch or 5.25-inch bay.
- 6 Mount the drive into the bay and secure using the supplied screws.
- 7 Install the data and power connectors:
  - a Connect a SCSI interface cable to the drive.

The internal tape drives can be used with a Wide SCSI interface, either Low Voltage Differential (LVD) or Single-ended (16-bit Wide mode). The tape drive automatically detects whether the SCSI bus is LVD or single ended. Be sure the internal tape drive is not the last device on the SCSI bus (the drive does not provide SCSI termination); the SCSI bus must be terminated properly.
  - b Connect a 4-pin power cable from the computer's internal power supply to the power connector on the back of the internal tape drive.

Figure 8 SCSI Termination  
Internal Drive



- 9 Replace the computer covers and power cord, turn on the computer, and verify that the internal tape drive is operating properly.
- 10 Register your tape drive at <http://www.quantum.com/registration>.

### Installing an Internal Tape Drive with a SATA Connector

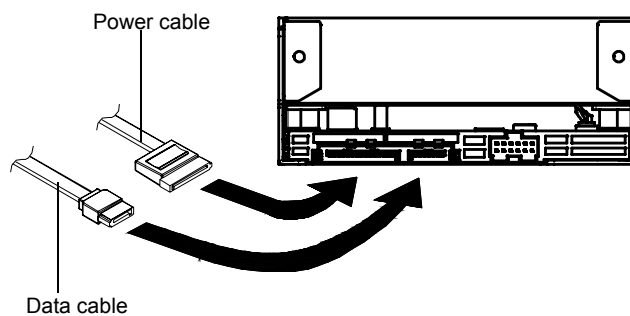
To install an internal tape drive with a SATA connector:

- 1 Unpack the contents of your drive package. If any item is damaged, please contact your place of purchase immediately.
- 2 In addition to the contents included with your tape drive, you need the following items:
  - A SATA host bus adapter (for SATA drives) that is properly installed and configured in a host computer
  - A 3.5-inch or 5.25-inch half-height bay
  - A SATA data cable



- Backup application software that supports the tape drive. For a list of the latest backup software applications tested with the internal DDS-4 and DAT 72 tape drives, please visit our Web site at [www.quantum.com/support](http://www.quantum.com/support).
- 3 Before proceeding with the installation, gather the tools you will need to install the internal tape drive into the computer mounting bay. The following list identifies some of the tools you will need:
    - Phillips screwdriver
    - Flat blade screwdriver, if your computer uses flathead screws
    - TORX screwdriver, if your computer uses TORX screws
    - Computer documentation, which you can refer to during the installation
  - 4 Turn off your computer, remove its covers and power cord, and select a mounting bay for the drive. Depending on your drive, select a 3.5-inch or 5.25-inch bay.
  - 5 Mount the drive into the bay and secure using the supplied screws.
  - 6 Install the data and power connectors:
    - a Connect one end of the SATA data cable to the SATA data connector on the drive.
    - b Connect the other end of the SATA data cable to the SATA data connector on the SATA card or mainboard SATA connector.
    - c Connect one end of the SATA power supply conversion adapter cable to a 4-pin power cable from the computer's internal power supply.
    - d Connect the other end of the adapter cable to the drive.

Figure 9 SATA Connections



- 7 You must use a SATA data cable and a SATA-to-USB adapter. Please follow the installation instructions in the *SATA-to-USB Adapter Installation Guide* included with the adapter.
- 8 Replace the computer covers and power cord, turn on the computer, and verify that the internal tape drive is operating properly.
- 9 Register your tape drive at <http://www.quantum.com/registration>.

## Safety Compliance

The DDS-4/DAT 72 drives are safety compliant with the following regulatory organizations and codes in the countries indicated.

Country	Regulatory Organization	Compliant to:
Canada	Canadian Standards Association (CSA)	UL/CSA 60950-1
EU member nations	Comité Européen de Normalisation Electrotechnique – the European Committee for Electrotechnical Standardization (CENELEC)	EN 60950-1, 1st edition
IECEE* member nations	IECEE* International Electrotechnical Commission on Electrical Equipment (IECEE) for Mutual Recognition of Test Certificates for Electrical Equipment “CB Scheme”	CB Scheme per IEC 60950-1 with details and exceptions for each member country
Israel	SII	CB Scheme
Mexico	Normas Oficiales Mexicanas (NOM), similar to UL	NOM standards
Singapore	Productivity and Standards Board (PSB)	PSB safety certification CB Scheme
South Africa	SABS	CB Scheme
South Korea	MIC	CB Scheme
Taiwan	BSMI	BSMI certification, CNS 14336
United States	Canadian Standards Association (CSA)	UL/CSA 60950-1

\* Member nations of the IECEE include: Argentina, Austria, Australia, Belgium, Brazil, Canada, China (PR), Czech Republic, Denmark, Finland, France, Germany, Hungary, India, Ireland, Israel, Italy, Japan, (South) Korea, Montenegro, Netherlands, Norway, Poland, Russian Federation, Serbia, Singapore, Slovakia, Slovenia, South Africa, Spain, Switzerland, Turkey, United Kingdom, USA.

## Electromagnetic Compatibility (EMC)

The DDS-4/DAT 72 drives are EMC compliant with the following regulatory organizations and codes in the countries indicated.

Country	Regulatory Organization	Compliant to:
Australia	Standards Australia Spectrum Management "C-Tick"	AS/NZS 3548 (same as CISPR 22)
Canada	Industry Canada Digital Apparatus - Interference-Causing Equipment Standard (ICES-003)	ICES-003 Digital Apparatus
EU member nations	CE	Emissions per CISPR 22, EN55022 and Immunity per CISPR 24, EN55024
Israel	SII	CISPR-22, Class B, CISPR-24
Japan	Voluntary Control Council for Interface (VCCI)	This is a voluntary compliance standard; the drives meet it via CE/EMC compliance
New Zealand	Standards Australia Spectrum Management "C-Tick"	AS/NZS 3548 (same as CISPR 22)
Russia	GOSSTANDART (GOST)	CISPR-22, Class B, CISPR-24
South Korea	MIC	CISPR 22 and 24
Taiwan	Bureau of Commodity Inspection and Quarantine (BSMI)	BSMI EMC certification, CNS 14338
United States	Federal Communications Commission (FCC)	Title 47: Code of Federal Regulations, Part 15, Subpart B (47CFR15B),

**Note:** Use these drives only in equipment where the combination has been determined to be suitable by an appropriate certification organization (for example, Underwriters Laboratories Inc. or the Canadian Standards Association in North America).

You should also consider the following safety points:

- Install the drive in an enclosure that limits the user's access to live parts, gives adequate system stability and provides the necessary grounding for the drive.
- Provide the correct voltages (+5 VDC and +12 VDC) based on the regulation applied – Extra Low Voltage (SELV) for UL and CSA, and Safety Extra Low Voltage for BSI and VDE (if applicable).



For assistance contact Quantum Technical Assistance center:  
 North America **+1-800-284-5101**  
 UK, France, and Germany **00800 4 QUANTUM**  
 EMEA **+44 1256 848 766**

For worldwide support: [www.quantum.com/contactsupport](http://www.quantum.com/contactsupport)

**Quantum**  
 Backup. Recovery. Archive. It's What We Do.

©2006 Quantum corporation. All rights reserved. Quantum, the Quantum logo, and all other logos are registered trademarks of Quantum Corporation or their respective owners.

Quantum Corp. (NYSE: DSS) is the leading global storage company specializing in backup, recovery and archive. Combining focused expertise, customer-driven innovation, and platform independence, Quantum provides a comprehensive range of disk, tape, media, and software solutions supported by a world-class sales and service organization. As a long-standing and trusted partner, the company works closely with a broad network of resellers, OEMs, and other suppliers to meet customer's evolving data protection needs.



# Instructions d'installation des lecteurs de bande de bureau et interne

## Félicitations !

Vous avez acheté le lecteur de stockage de données numériques (DDS) le meilleur et le plus fiable du marché. Les lecteurs DDS-4 (modèles STD2401LW et STD6402W) et DAT 72 (modèles CD72LWH, CD72LWE, CD72SE et CD72SH) personnifient l'engagement de Quantum à concevoir des lecteurs de bande fiables et durables qui font appel à une technologie de pointe destinée aux environnements informatiques nécessitant de hautes performances et une capacité élevée de stockage des données. Les lecteurs DDS-4 et DAT 72 sont basés sur un mécanisme de 3,5 pouces et sont disponibles pour un montage interne, externe ou en rack. Les lecteurs combinent la technologie de bande audionumérique (DAT), l'enregistrement à haute densité et les capacités de compression de données matérielles avec le design réputé de Quantum en matière informatique pour fournir des caractéristiques de fiabilité et de performances sans égales chez les produits DDS.

## Sommaire

- Installation d'un lecteur de bande de bureau avec un connecteur SCSI .....13
- Installation d'un lecteur de bande de bureau avec un connecteur USB.....15
- Installation d'un lecteur de bande interne avec un connecteur SCSI .....16
- Installation d'un lecteur de bande interne avec un connecteur SATA.....19
- Réglementations de sécurité.....21
- Compatibilité électromagnétique (CEM).....22
- Français.....12
- Allemand.....23
- Espagnol.....34
- Japonais .....45
- Coréen.....56
- Chinois simplifié .....67
- Chinois traditionnel.....78

## Lecteur de bande de bureau

### Installation d'un lecteur de bande de bureau avec un connecteur SCSI

Pour installer un lecteur de bande de bureau avec un connecteur SCSI :

- 1 Sortez le contenu de l'emballage de votre lecteur. Si des éléments sont endommagés, veuillez immédiatement contactez votre point de vente.

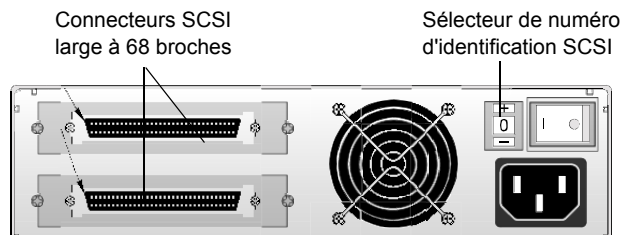
Figure 1 Lecteur externe



- 2 Outre les éléments accompagnant votre lecteur de bande de bureau, vous avez besoin des éléments suivants :
  - Un adaptateur de bus hôte SCSI correctement installé et configuré dans un ordinateur hôte.
  - Un adaptateur de 50 à 68 broches, si votre ordinateur intègre un connecteur d'interface SCSI étroit.
  - Un logiciel de sauvegarde qui prend en charge le lecteur de bande. Vous trouverez la liste des logiciels de sauvegarde les plus récents testés avec les lecteurs de bande DDS-4 et DAT 72 sur notre site Web à l'adresse [www.quantum.com/support](http://www.quantum.com/support).
- 3 Vérifiez les paramètres par défaut du lecteur et modifiez-les si nécessaire : pour obtenir les informations détaillées relatives aux paramètres et à l'emplacement des commutateurs, veuillez vous reporter au Guide d'utilisation qui figure sur le CD-ROM.
  - Numéro d'identification SCSI : 6
  - Contrôle de parité : activé
  - Alimentation de terminaison : fournie au bus SCSI
  - Compression des données : activée
  - Reconnaissance du média (lecteurs DDS-4 uniquement) : activée
  - Test d'autodiagnostic : activé
  - Système d'exploitation hôte : Windows 98/Me/XP/NT/2000/2003 Server
  - Compatibilité d'interface SCSI (lecteurs DDS-4 uniquement) : SCSI large
  - Identification du fournisseur : SEAGATE DAT

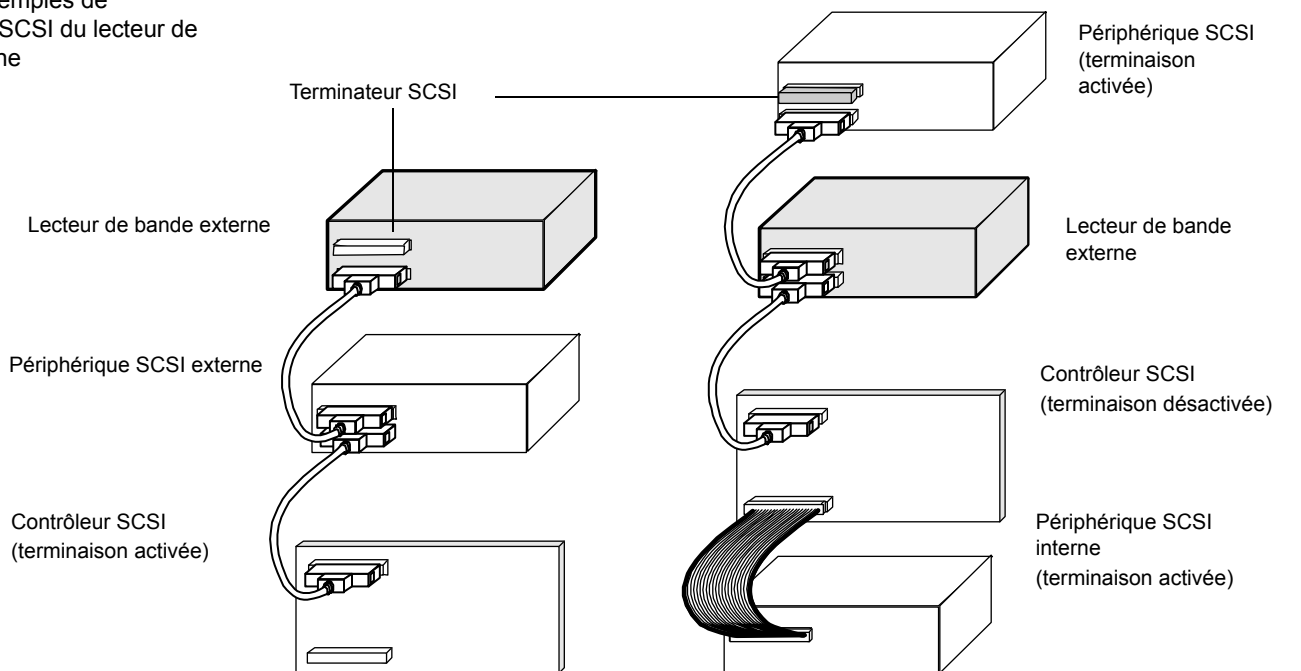
- 4 Raccordez un câble d'interface SCSI au lecteur. Vous pouvez utiliser l'un de ces connecteurs pour raccorder le lecteur à l'ordinateur hôte ou à un autre périphérique SCSI.

Figure 2 Exemples de terminaison SCSI du lecteur de bande externe



- 5 Vérifiez la terminaison SCSI.

Figure 3 Exemples de terminaison SCSI du lecteur de bande externe



Exemple 1 : terminaison SCSI dans un système qui intègre uniquement des périphériques SCSI externes.

Exemple 2 : terminaison SCSI dans un système qui intègre des périphériques SCSI internes et externes.

- 6 Raccordez un câble d'alimentation au connecteur d'alimentation en c.a. à l'arrière du lecteur de bande. Raccordez l'autre extrémité du câble d'alimentation à une prise de courant en état de marche.
- 7 Mettez l'ordinateur sous tension, puis le lecteur de bande et vérifiez que ce dernier fonctionne correctement.
- 8 Enregistrez votre lecteur de bande à l'adresse <http://www.quantum.com/registration>.



## Instructions d'installation des lecteurs de bande de bureau et interne

### Installation d'un lecteur de bande de bureau avec un connecteur USB

Pour installer un lecteur de bande de bureau avec un connecteur USB :

- 1 Sortez le contenu de l'emballage de votre lecteur. Si des éléments sont endommagés, veuillez immédiatement contactez votre point de vente.

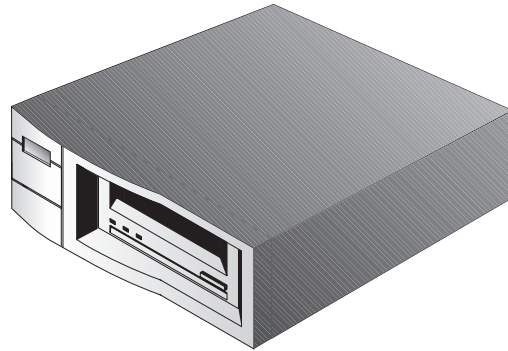
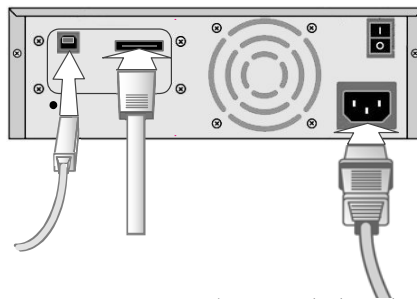


Figure 4 Lecteur externe

- 2 Outre les éléments accompagnant votre lecteur de bande de bureau, vous avez besoin des éléments suivants :
  - Câble USB ou eSATA
- 3 Branchez le câble USB ou eSATA au lecteur de bande et au port USB ou eSATA de votre ordinateur.

**Remarque : Lecteurs de bande USB uniquement :** pour des performances optimales, le lecteur de bande USB doit être branché à un port USB 2.0 et être le seul dispositif sur le concentrateur racine.

Figure 5 Branchement des câbles : lecteur de bande USB/eSata



- 4 Enregistrez votre lecteur de bande à l'adresse <http://www.quantum.com/registration>.

## Lecteur de bande interne

### Consignes de sécurité importantes

Votre lecteur de bande interne est doté de composants très sensibles aux décharges électrostatiques (ESD). Soyez très prudent lorsque vous manipulez le lecteur pour qu'il ne

soit pas endommagé par les ESD. Avant de le manipuler, lisez ces instructions sur les ESD pour ne pas endommager le lecteur.

- Portez un bracelet antistatique de mise à la terre antistatique ou prenez d'autres précautions du même genre contre les ESD lorsque vous travaillez sur le lecteur. Le bracelet antistatique doit bien toucher la peau de votre poignet. Ne retirez le bracelet de votre poignet que lorsque vous avez fini de travailler sur le lecteur.
- Évitez que le lecteur ne touche les autres périphériques et vos vêtements. Le bracelet antistatique ne protège le matériel que des tensions électrostatiques de votre corps ; les tensions électrostatiques de vos vêtements peuvent toujours provoquer des dommages.
- Lorsqu'il n'est pas utilisé, conservez le lecteur dans son sac antistatique.
- Avant de retirer le lecteur du sac antistatique, touchez une surface métallique ou conductrice pour décharger toute accumulation d'électricité statique présente dans votre corps.
- Ne tenez le lecteur que par ses bords. Évitez de toucher les parties exposées de la carte à circuits imprimés.
- Placez toujours le lecteur sur la partie supérieure ou à l'intérieur du sac antistatique pour réduire les possibilités d'endommagement causé par les décharges électrostatiques.

### **Installation d'un lecteur de bande interne avec un connecteur SCSI**

Pour installer un lecteur de bande interne avec un connecteur SCSI :

- 1** Sortez le contenu de l'emballage de votre lecteur. Si des éléments sont endommagés, veuillez immédiatement contacter votre point de vente.
- 2** Outre ce qui est inclus avec votre lecteur de bande, vous avez besoin des éléments suivants :
  - Un adaptateur de bus hôte SCSI (pour les lecteurs SCSI) correctement installé et configuré sur un ordinateur hôte.
  - Une baie de demi-hauteur de 3,5 pouces ou de 5,25 pouces
  - Un câble plat SCSI
  - Un logiciel de sauvegarde qui prend en charge le lecteur de bande. Vous trouverez la liste des logiciels de sauvegarde les plus récents testés avec les lecteurs de bande internes DDS-4 et DAT 72 sur notre site Web à l'adresse [www.quantum.com/support](http://www.quantum.com/support).
- 3** Avant de poursuivre l'installation, rassemblez les outils nécessaires à l'installation du lecteur de bande interne dans la baie de montage de l'ordinateur. La liste suivante identifie certains des outils nécessaires.
  - Tournevis cruciforme
  - Tournevis à tête plate, si votre ordinateur utilise des vis à tête fraisée
  - Tournevis TORX, si votre ordinateur utilise des vis TORX
  - Documentation relative à l'ordinateur, à laquelle vous pouvez vous référer au cours de l'installation

Vous devrez peut-être utiliser des outils supplémentaires, selon la configuration requise pour votre installation.



- 4 Vérifiez les paramètres par défaut du lecteur et modifiez-les si nécessaire : (pour obtenir les informations détaillées relatives aux paramètres, veuillez vous reporter au Guide d'utilisation qui figure sur le CD-ROM.)
- Contrôle de parité : activé
  - Alimentation de terminaison : fournie au bus SCSI
  - Compression des données : activée
  - Reconnaissance du média (lecteurs DDS-4 uniquement) : activée
  - Test d'autodiagnostic : activé
  - Identification du fournisseur : SEAGATE DAT
  - Système d'exploitation hôte : Windows 98, Windows Me, Windows XP, Windows NT, Windows 2000/2003 Server
  - Numéro d'identification SCSI : 6
  - Compatibilité d'interface SCSI (lecteurs DDS-4 uniquement) :
    - SCSI large

Figure 6 Paramètres des cavaliers et des commutateurs internes

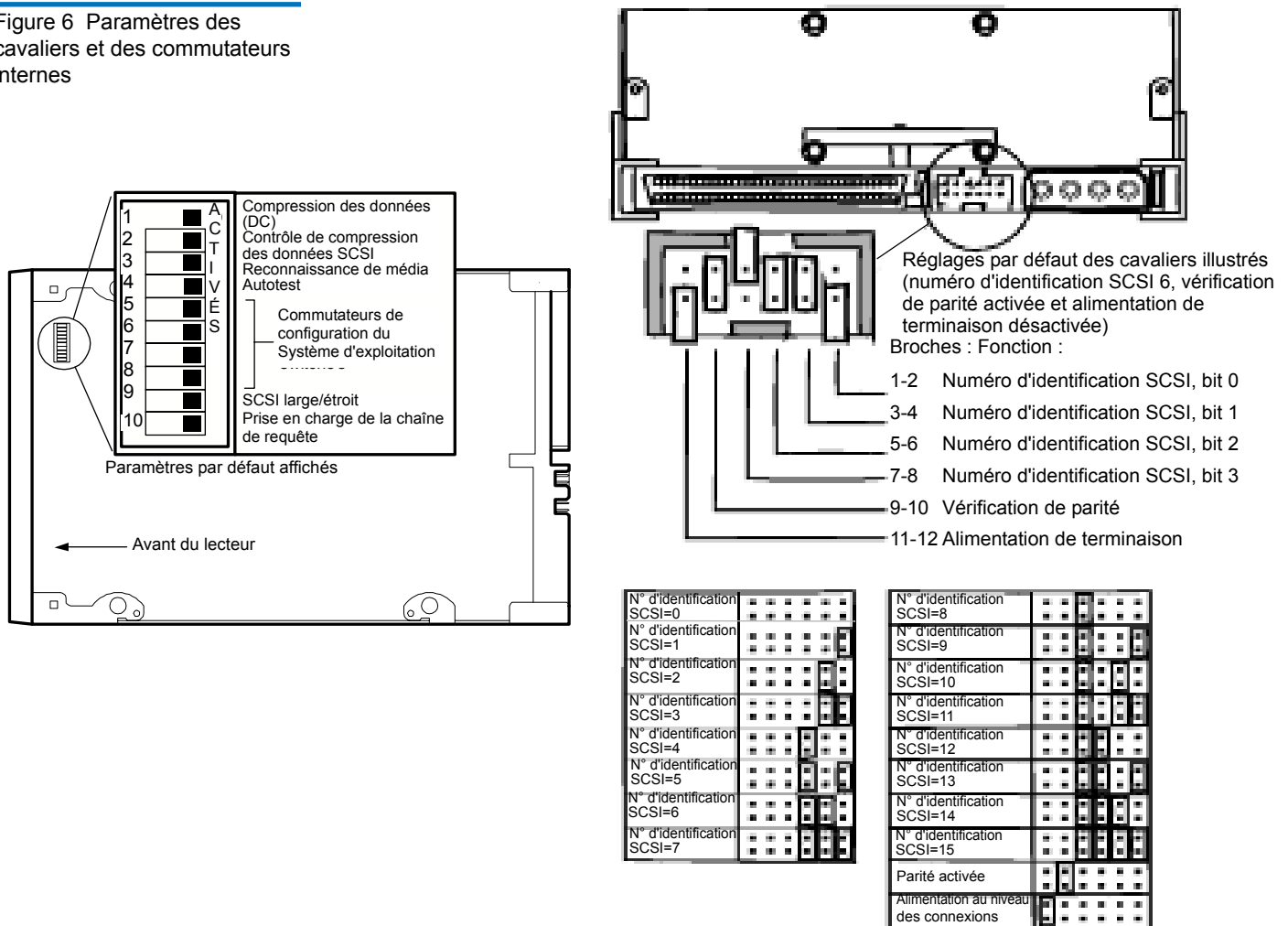
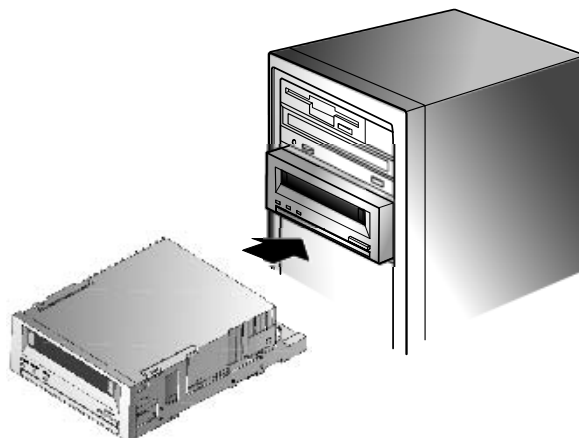


Figure 7 Montage du lecteur de bande interne

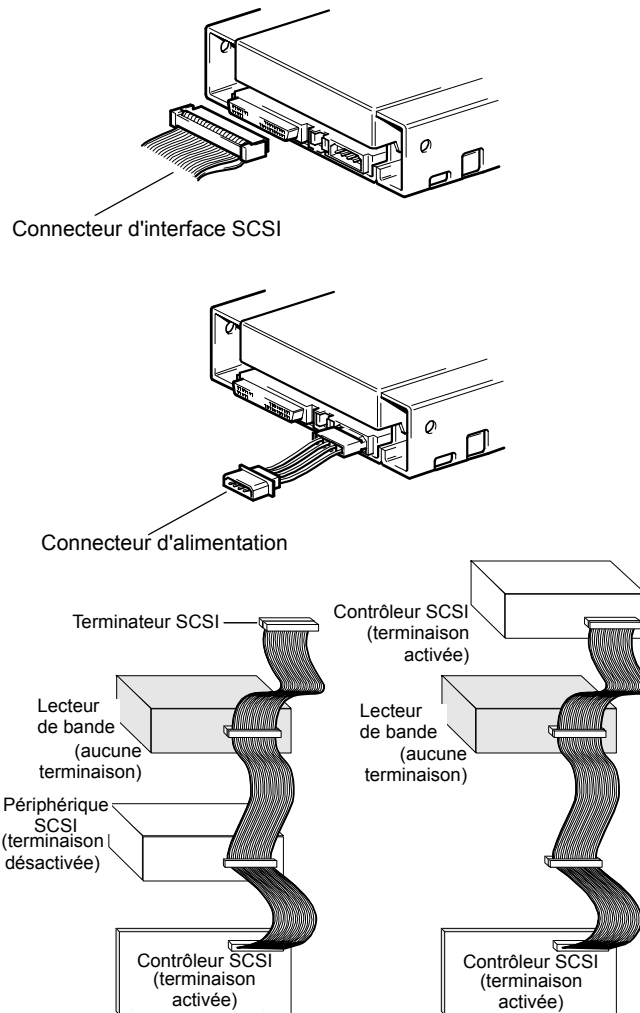


- 5** Éteignez l'ordinateur, retirez ses panneaux et le cordon d'alimentation, et sélectionnez une baie de montage pour le lecteur. Selon votre lecteur, sélectionnez une baie de 3,5 pouces ou de 5,25 pouces.
- 6** Montez le lecteur dans la baie et fixez-le à l'aide des vis fournies.
- 7** Installez les connecteurs de données et d'alimentation :
  - a** Raccordez un câble d'interface SCSI au lecteur.

Les lecteurs de bande internes peuvent être utilisés avec une interface SCSI large faisant appel à la technologie LVD (différentiel basse tension) ou à terminaison unique (mode large 16 bits). Le lecteur de bande détecte automatiquement s'il s'agit d'un bus SCSI LVD ou à une seule terminaison. Veillez à ce que le lecteur de bande interne ne soit pas le dernier dispositif sur le bus SCSI (le lecteur ne prévoit pas de terminaison SCSI) ; le bus SCSI doit être correctement terminé.
  - b** Raccordez un câble d'alimentation à 4 broches entre le bloc d'alimentation interne de l'ordinateur et le connecteur d'alimentation situé à l'arrière du lecteur de bande interne.



Figure 8 Terminaison SCSI du lecteur interne



- 9 Remplacez les panneaux de l'ordinateur et le câble d'alimentation, allumez l'ordinateur et vérifiez que le lecteur de bande interne fonctionne correctement.
- 10 Enregistrez votre lecteur de bande à l'adresse <http://www.quantum.com/registration>.

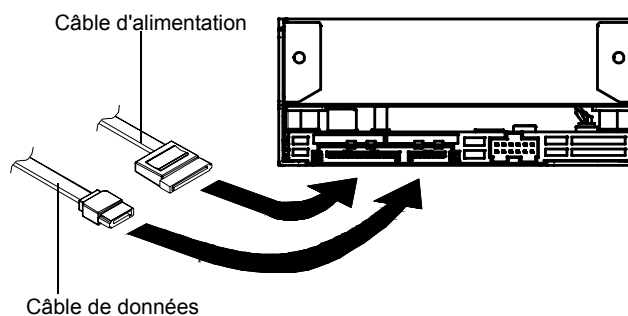
### Installation d'un lecteur de bande interne avec un connecteur SATA

Pour installer un lecteur de bande interne avec un connecteur SATA :

- 1 Sortez le contenu de l'emballage de votre lecteur. Si des éléments sont endommagés, veuillez immédiatement contactez votre point de vente.
- 2 Outre ce qui est inclus avec votre lecteur de bande, vous avez besoin des éléments suivants :
  - Un adaptateur de bus hôte SATA (pour les lecteurs SATA) correctement installé et configuré sur un ordinateur hôte.
  - Une baie de demi-hauteur de 3,5 pouces ou de 5,25 pouces
  - Un câble de données SATA

- Un logiciel de sauvegarde qui prend en charge le lecteur de bande. Vous trouverez la liste des logiciels de sauvegarde les plus récents testés avec les lecteurs de bande internes DDS-4 et DAT 72 sur notre site Web à l'adresse [www.quantum.com/support](http://www.quantum.com/support).
- 3 Avant de poursuivre l'installation, rassemblez les outils nécessaires à l'installation du lecteur de bande interne dans la baie de montage de l'ordinateur. La liste suivante identifie certains des outils nécessaires :
    - Tournevis cruciforme
    - Tournevis à tête plate, si votre ordinateur utilise des vis à tête fraisée.
    - Tournevis TORX, si votre ordinateur utilise des vis TORX
    - Documentation relative à l'ordinateur, à laquelle vous pouvez vous référer au cours de l'installation
  - 4 Éteignez l'ordinateur, retirez ses panneaux et le cordon d'alimentation, et sélectionnez une baie de montage pour le lecteur. Selon votre lecteur, sélectionnez une baie de 3,5 pouces ou de 5,25 pouces.
  - 5 Montez le lecteur dans la baie et fixez-le à l'aide des vis fournies.
  - 6 Installez les connecteurs de données et d'alimentation :
    - a Connectez l'une des extrémités du câble de données SATA au connecteur de données SATA sur le lecteur.
    - b Connectez l'autre extrémité du câble de données SATA au connecteur de données SATA sur la carte SATA ou au connecteur de la carte mère.
    - c Reliez l'une des extrémités du câble de l'adaptateur de conversion du bloc d'alimentation SATA à un câble d'alimentation à 4 broches du bloc d'alimentation interne de l'ordinateur.
    - d Connectez l'autre extrémité du câble d'adaptateur au lecteur.

Figure 9 Connexions SATA



- 7 Vous devez utiliser un câble de données SATA et un adaptateur SATA à USB. Veuillez suivre les instructions d'installation du *Guide d'installation de l'adaptateur SATA à USB* fournies avec l'adaptateur.
- 8 Remplacez les panneaux de l'ordinateur et le câble d'alimentation, allumez l'ordinateur et vérifiez que le lecteur de bande interne fonctionne correctement.
- 9 Enregistrez votre lecteur de bande à l'adresse <http://www.quantum.com/registration>.

## Réglementations de sécurité

Les lecteurs DDS-4/DAT 72 sont conformes aux réglementations et aux codes de sécurité suivants pour les pays indiqués.

Pays	Organisme de réglementation	Conforme à :
Canada	Association Canadienne de Normalisation (CSA)	UL/CSA 60950-1
États membres de l'UE	Comité Européen de Normalisation Électrotechnique (CENELEC)	EN 60950-1, 1 <sup>ère</sup> édition
Pays membres de l'IECEE*	IECEE* Commission Électrotechnique Internationale des équipements électriques (IECEE) pour la reconnaissance mutuelle des certificats de test des équipements électriques « Projet CB »	Programme CB selon la norme IEC 60950-1 avec détails et exceptions pour chaque pays membre
Israël	SII	Projet CB
Mexique	Normas Oficiales Mexicanas (NOM), similaire à UL	Normes NOM
Singapour	Bureau pour la productivité et la normalisation (PSB)	Certification de sécurité PSB Projet CB
Afrique du Sud	SABS	Projet CB
Corée du Sud	MIC	Projet CB
Taiwan	BSMI	Certification BSMI, CNS 14336
États-Unis	Association Canadienne de Normalisation (CSA)	UL/CSA 60950-1

\* Les pays membres de l'IECEE comprennent l'Afrique du Sud, l'Allemagne, l'Argentine, l'Autriche, l'Australie, la Belgique, le Brésil, le Canada, la Corée du Sud, le Danemark, l'Espagne, les États-Unis, la Fédération de Russie, la Finlande, la France, la Hongrie, l'Inde, l'Irlande, Israël, l'Italie, le Japon, la Hollande, le Monténégro, la Norvège, la Pologne, la République populaire de Chine, la République Tchèque, le Royaume-Uni, la Serbie, Singapour, la Slovaquie, la Slovénie, la Suisse et la Turquie.

## Compatibilité électromagnétique (CEM)

Les lecteurs DDS-4/DAT 72 sont conformes aux réglementations et aux codes CEM suivants pour les pays indiqués.

Pays	Organisme de réglementation	Conforme à :
Australie	Groupe de gestion du spectre radioélectrique australien « C-Tick »	AS/NZS 3548 (identique à la norme CISPR 22)
Canada	Appareils numériques d'Industrie Canada - Norme sur le matériel brouilleur (NMB-003)	Appareils numériques NMB-003
États membres de l'UE	CE	Émissions selon les normes CISPR 22 et EN55022, et immunité selon les normes CISPR 24 et EN55024
Israël	SII	CISPR-22, classe B, CISPR-24
Japon	Conseil pour le contrôle volontaire des interfaces (VCCI)	Il s'agit d'une norme de conformité volontaire ; les lecteurs sont conformes aux normes CE/CEM
Nouvelle-Zélande	Groupe de gestion du spectre radioélectrique australien « C-Tick »	AS/NZS 3548 (identique à la norme CISPR 22)
Russie	GOSSTANDART (GOST)	CISPR-22, classe B, CISPR-24
Corée du Sud	MIC	CISPR 22 et 24
Taiwan	BSMI	Certification EMC du BSMI, CNS 14338
États-Unis	Commission Fédérale des Communications (FCC)	Titre 47 du code fédéral de réglementation, partie 15, subdivision B (47CFR15B),

**Remarque :** Ces lecteurs ne doivent être utilisés qu'avec les équipements dont il a été déterminé par un organisme de certification adéquat qu'un tel usage combiné est approprié (par exemple, Underwriters Laboratories Inc. ou l'Association Canadienne de Normalisation en Amérique du Nord).

Il convient également d'envisager les aspects de sécurité suivants :

- Installez le lecteur dans un espace qui limite l'accès de l'utilisateur aux pièces sous tension, offre une stabilité suffisante et permet la mise à la terre requise du lecteur.
- Utilisez des tensions d'alimentation correctes (+5 V c.c. et +12 V.c.c.) reposant sur la réglementation applicable : très basse tension (SEC) pour UL et la CSA, et très basse tension de sécurité pour le BSI et le VDE (le cas échéant).



Pour obtenir de l'aide, contactez le centre d'assistance technique de Quantum :  
 Amérique du Nord +1-800-284-5101  
 Royaume-Uni, France et Allemagne 00800 4 QUANTUM  
 EMEA +44 1256 848 766

Pour les autres centres d'assistance dans le monde :  
[www.quantum.com/contactsupport](http://www.quantum.com/contactsupport)

**Quantum**

Sauvegarde. Récupération. Archivage. Nous en faisons notre affaire.

©2006 Quantum corporation. Tous droits réservés. Quantum, le logo Quantum et tout autre logo sont des marques déposées de Quantum Corporation ou de leurs propriétaires respectifs.

Quantum Corp.

Quantum Corp. (NYSE: DSS) est le principal fournisseur de solutions globales de stockage et se spécialise dans la sauvegarde, la récupération et l'archivage des données. Alliant expertise ciblée, innovations basées sur les besoins des clients et plateformes indépendantes, Quantum propose une gamme complète de disques, de bandes, de médias et de solutions logicielles soutenue par un service vente et après-vente de classe mondiale. Partenaire de confiance de longue date, l'entreprise collabore étroitement avec un vaste réseau de distributeurs, d'OEM et d'autres fournisseurs afin de répondre aux besoins sans cesse renouvelés des clients en matière de protection des données.

# Installationsanleitung für das Tabletop- und interne Bandlaufwerk

## Herzlichen Glückwunsch!

Sie haben eines der besten und verlässlichsten DDS-Laufwerke (digitaler Datenspeicher) erworben, das im Handel erhältlich ist. Die DDS-4- (Modelle STD2401LW und STD6402W) und DAT 72- (Modelle CD72LWH, CD72LWE, CD72SE und CD72SH) Laufwerke stellen Quantums Verpflichtung dar, zuverlässige und haltbare Bandlaufwerkprodukte zu bauen, die eine für Computerumgebungen geschaffene Spitzentechnik implementieren, welche Hochleistungs-Datenspeicher mit hoher Kapazität erfordern; die DDS-4- und DAT 72-Laufwerke basieren auf einem 3,5-Zoll Mechanismus und sind als interne, Tabletop- und Rackmount-Bandlaufwerke erhältlich. Die Laufwerke verbinden die bestehende DAT-Technologie (Digitalaudioband), Aufnahmefähigkeit mit hoher Dichte und Hardware-Datenkomprimierungs-Fähigkeiten mit dem bewährten Computer-Qualitäts-Design von Quantum, das unvergleichbare Verlässlichkeit und Leistung unter den DDS-Produkten bietet.

## Inhaltsverzeichnis

- Das Tabletop-Bandlaufwerk mit einem SCSI-Steckverbinder installieren.....24
- Das Tabletop-Bandlaufwerk mit einem USB-Steckverbinder installieren.....26
- Das interne Bandlaufwerk mit einem SCSI-Steckverbinder installieren.....27
- Das interne Bandlaufwerk mit einem SATA-Steckverbinder installieren.....30
- Sicherheitseinwilligung.....32
- Elektromagnetische Verträglichkeit (EMC) .....33
- Französisch .....12
- Deutsch.....23
- Spanisch.....34
- Japanisch .....45
- Koreanisch.....56
- Vereinfachtes Chinesisch .....67
- Traditionelles Chinesisch.....78



# Tabletop-Bandlaufwerk

### Ein Tabletop-Bandlaufwerk mit einem SCSI-Steckverbinder installieren

Abbildung 1 Externes Laufwerk

Um ein Tabletop-Bandlaufwerk mit einem SCSI-Steckverbinder zu installieren:

- 1 Den Inhalt Ihres Laufwerkpakets auspacken. Wenn ein Teil beschädigt ist, kontaktieren Sie bitte sofort die Stelle, bei der Sie es erworben haben.

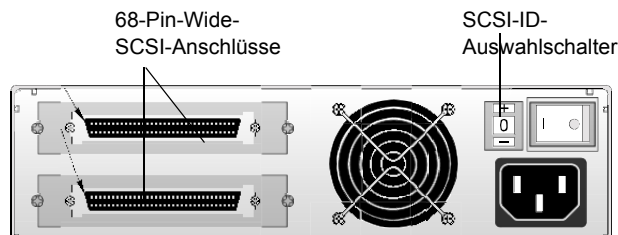


- 2 Zusätzlich zu den Artikeln, die dem Tabletop-Bandlaufwerk beigelegt sind, benötigen Sie die folgenden Artikel:
  - Ein richtig installierter und in einem Hostcomputer konfigurierter SCSI-Hostadapter.
  - Ein 50-auf-68-poliger Adapter, wenn der Computer einen Narrow-SCSI Schnittstellenanschluss hat.
  - Backup-Anwendungssoftware, die das Bandlaufwerk unterstützt. Um eine Liste der neuesten Backup-Softwareanwendungen, die mit DDS-4- und DAT 72-Bandlaufwerken getestet wurden, zu erhalten, besuchen Sie bitte unsere Website unter [www.quantum.com/support](http://www.quantum.com/support).
- 3 Prüfen Sie die Standardeinstellungen des Laufwerks und ändern Sie sie nötigenfalls: (ausführliche Informationen zu den Einstellungen und Positionen der Schalter finden Sie im Benutzerhandbuch auf der CD-ROM.)
  - SCSI-ID: 6
  - Paritätsprüfung: Aktiviert
  - Abschlusswiderstandsstrom: An den SCSI-Bus geliefert
  - Datenkomprimierung: Aktiviert
  - Datenträgererkennung (nur DDS-4-Laufwerke): Aktiviert
  - POST-Test: Aktiviert
  - Hostbetriebssystem: Windows 98/Me/XP/NT/2000/2003-Server
  - SCSI-Schnittstellen-Kompatibilität (nur DDS-4-Laufwerke): Wide-SCSI
  - Anbieter-ID: SEAGATE DAT



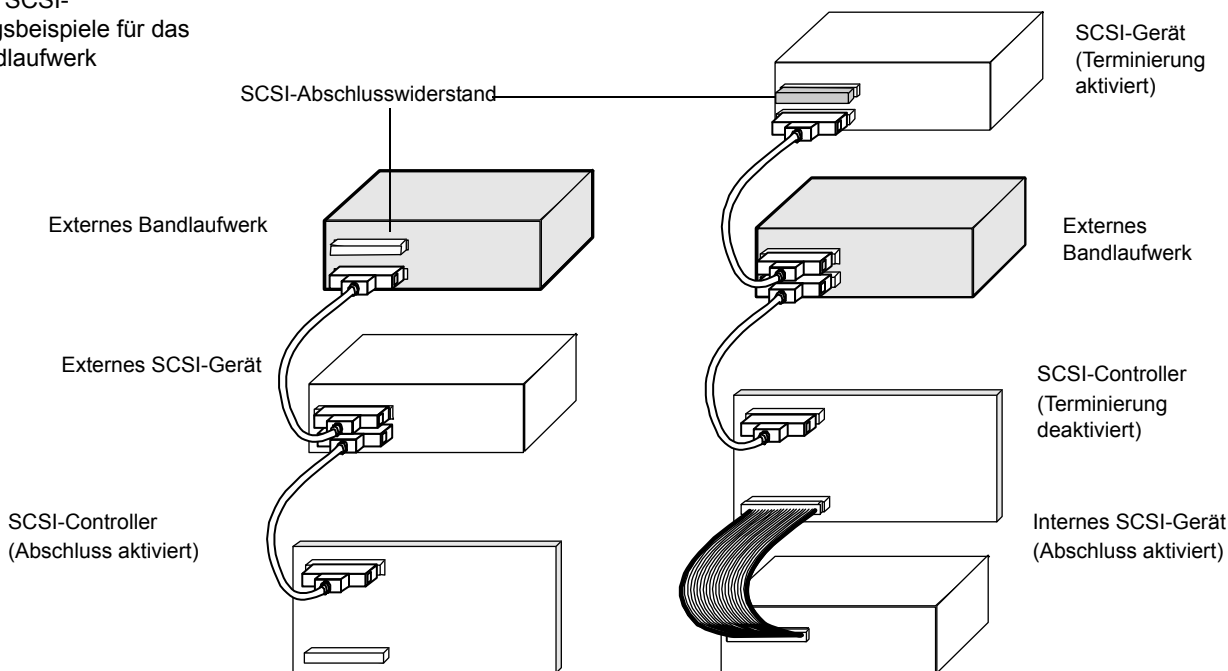
- 4 Schließen Sie ein SCSI-Interface-Kabel an das Laufwerk an. Sie können beide Anschlüsse verwenden, um das Laufwerk an einen Host-Computer oder an ein anderes SCSI-Gerät anzuschließen.

Abbildung 2 SCSI-Terminierungsbeispiele für das externe Bandlaufwerk



- 5 Überprüfen Sie die SCSI Terminierung.

Abbildung 3 SCSI-Terminierungsbeispiele für das externe Bandlaufwerk



Beispiel 1: SCSI-Terminierung in einem System, das nur externe SCSI-Geräte hat.

Beispiel 2: SCSI-Terminierung in einem System das hat sowohl interne als auch externe SCSI-Geräte hat.

- 6 Schließen Sie ein Netzkabel an den Netzstromanschluss auf der Rückseite des Bandlaufwerks an. Schließen Sie das andere Ende des Netzkabels an eine funktionierende Steckdose an.
- 7 Schalten Sie erst den Computer und dann Bandlaufwerk ein und prüfen Sie, ob das Bandlaufwerk richtig funktioniert.
- 8 Registrieren Sie das Bandlaufwerk unter <http://www.quantum.com/registration>.

### Ein Tabletop-Bandlaufwerk mit einem USB-Steckverbinder installieren

Abbildung 4 Externes Laufwerk

Um das Tabletop-Bandlaufwerk mit einem SCSI-Steckverbinder zu installieren:

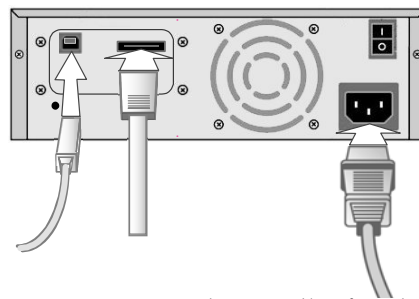
- 1 Den Inhalt Ihres Laufwerkpakets auspacken. Wenn ein Teil beschädigt ist, kontaktieren Sie bitte sofort die Stelle, bei der Sie es erworben haben.



- 2 Zusätzlich zu den Artikeln, die dem Tabletop-Bandlaufwerk beigelegt sind, benötigen Sie die folgenden Artikel:
  - USB- oder eSATA-Kabel
- 3 Schließen Sie das USB- oder eSATA-Kabel am Bandlaufwerk und am USB- oder eSATA-Anschluss Ihres Computers an.

**Anmerkung:** Nur USB-Bandlaufwerke - Für eine optimale Leistung sollte das USB-Bandlaufwerk mit dem USB 2.0-Anschluss verbunden und das einzige Gerät auf dem Stammhub sein.

Abbildung 5 Kabel anschließen - USB/eSata-Bandlaufwerk



- 4 Registrieren Sie das Bandlaufwerk unter <http://www.quantum.com/registration>.

## Internes Bandlaufwerk

### Wichtige Sicherheitsmaßnahmen

Ihr internes Bandlaufwerk besitzt sehr empfindliche Komponenten, die sehr leicht von ESD (elektrostatische Entladung) beschädigt werden können. Das Laufwerk sollte mit äußerster Sorgfalt gehandhabt werden, da es von ESD beschädigt werden kann. Bevor Sie

das Laufwerk handhaben, lesen Sie diese ESD-Anleitungen um Schäden am Laufwerk zu verhindern.

- Tragen Sie einen vor ESD schützenden Erdungsarmbandriemen oder beachten Sie ähnliche ESD-Vorsichtshinweise wenn Sie mit dem Laufwerk arbeiten. Stellen Sie sicher, dass der Armbandriemen viel Kontakt mit der Haut hat. Entfernen Sie den Armbandriemen erst, wenn Sie die Arbeit am Laufwerk abgeschlossen haben.
- Vermeiden Sie Kontakt zwischen dem Laufwerk, anderen Geräten und Kleidung. Der Armbandriemen schützt das Gerät nur vor ESD-Spannungen des Körpers; ESD-Spannungen von der Kleidung können trotzdem noch Schäden verursachen.
- Bewahren Sie das Laufwerk in der Antistatikverpackung auf, wenn es nicht verwendet wird.
- Berühren Sie eine metallene oder geerdete Oberfläche, bevor Sie das Laufwerk aus der Antistatikverpackung nehmen, um jeglichen Aufbau statischer Elektrizität vom Körper zu entladen.
- Fassen Sie das Laufwerk nur an den äußeren Kanten an. Vermeiden Sie es ungeschützte Teile auf der gedruckten Leiterplatte zu berühren.
- Platzieren Sie das Laufwerk immer auf oder in der Antistatikverpackung, um die Möglichkeit eines ESD-Schadens zu verringern.

---

### Ein internes Bandlaufwerk mit einem SCSI-Steckverbinder installieren

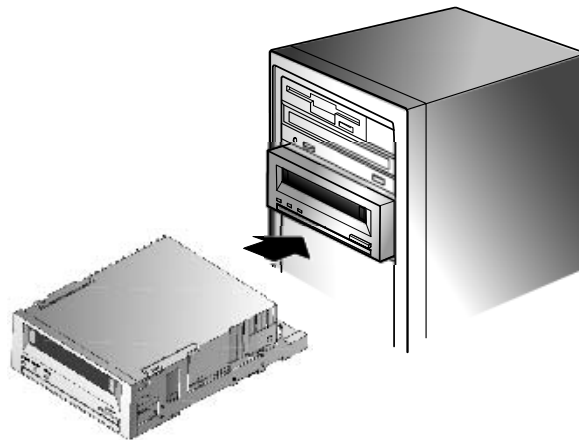
---

Um ein internes Bandlaufwerk mit einem SCSI-Steckverbinder zu installieren:

- 1 Den Inhalt Ihres Laufwerkpakets auspacken. Wenn ein Teil beschädigt ist, kontaktieren Sie bitte sofort die Stelle, bei der Sie es erworben haben.
- 2 Zusätzlich zu den Artikeln, die dem Bandlaufwerk beigelegt sind, benötigen Sie die folgenden Artikel:
  - Ein richtig installierter und in einem Hostcomputer konfigurierter SCSI-Hostadapter (für SCSI-Laufwerke).
  - Ein 3,5-Zoll- oder 5,25-Zoll-Schacht halber Höhe
  - Ein SCSI-Flachkabel
  - Backup-Anwendungssoftware, die das Bandlaufwerk unterstützt. Um eine Liste der neuesten Backup-Softwareanwendungen, die mit internen DDS-4- und DAT 72-Bandlaufwerken getestet wurden, zu erhalten, besuchen Sie bitte unsere Website unter [www.quantum.com/support](http://www.quantum.com/support).
- 3 Bevor Sie mit der Installation fortfahren, besorgen Sie alle Werkzeuge, die Sie zur Installation des internen Bandlaufwerkes in den Einbauschaft des Computers benötigen. In der folgenden Liste werden einige der notwendigen Werkzeuge aufgeführt:
  - Kreuzschlitzschraubenzieher
  - Schlitz-Schraubendreher, wenn Flachkopfschrauben für den Computer verwendet werden
  - Torx-Schraubendreher, wenn Torx-Schrauben für den Computer verwendet werden
  - Computerdokumentationen, in denen Sie während der Installation weitere Informationen nachlesen können



Abbildung 7 Einbau des internen Bandlaufwerks

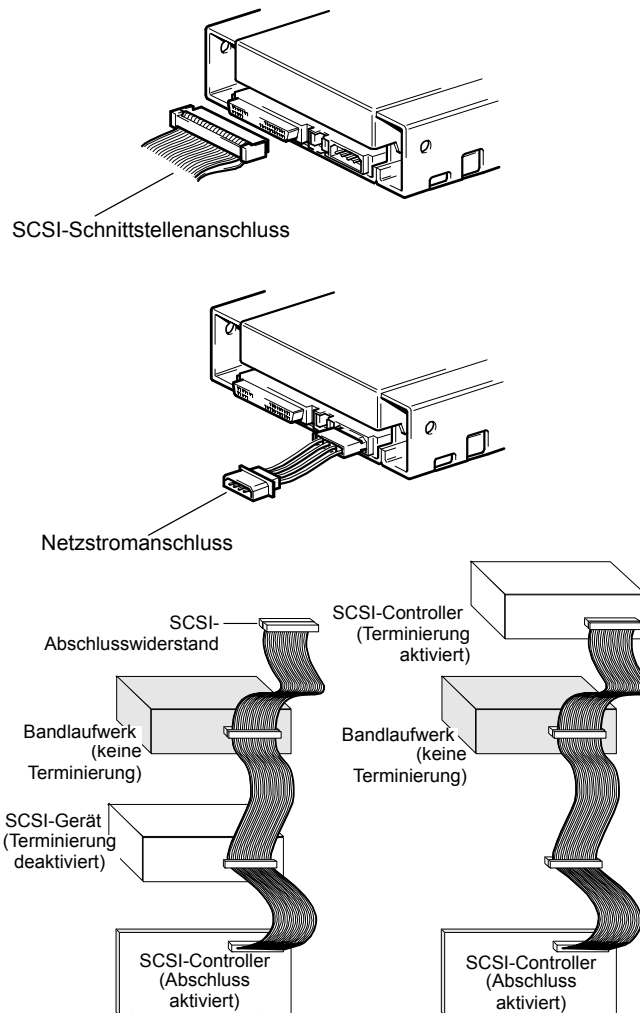


- 5** Schalten Sie Ihren Computer aus, entfernen Sie die Abdeckung und das Netzkabel und wählen Sie einen Einbauschacht für das Laufwerk. Wählen Sie einen 3,5-Zoll- oder 5,25-Zoll-Schacht, abhängig von Ihrem Laufwerk.
- 6** Heben Sie das Laufwerk in den Schacht, und sichern Sie es mit den mitgelieferten Schrauben.
- 7** Installieren Sie die Daten- und Netzanschlüsse:
  - a** Schließen Sie ein SCSI-Interface-Kabel an das Laufwerk an.

Die internen Bandlaufwerke können mit einer der folgenden Arten von Wide-SCSI-Schnittstellen verwendet werden: entweder Niederspannungsdifferential (LVD) oder Single-Ended (16-Bit Wide-Modus). Das Bandlaufwerk ermittelt automatisch, ob der SCSI-Bus LVD oder Single-ended ist. Stellen Sie sicher, dass das interne Bandlaufwerk nicht das letzte Gerät auf dem SCSI-Bus ist (das Laufwerk unterstützt keine SCSI-Terminierung); der SCSI-Bus muss richtig terminiert werden.
  - b** Schließen Sie ein 4-poliges Netzkabel am internen Netzteil des Computers und am Netzanschluss an der Rückseite des internen Bandlaufwerks an.



Abbildung 8 SCSI-Terminierung  
Internes Laufwerk



- 9 Befestigen Sie die Computerabdeckungen und das Netzkabel, schalten Sie den Computer ein und prüfen Sie, ob das interne Bandlaufwerk richtig funktioniert.
- 10 Registrieren Sie das Bandlaufwerk unter <http://www.quantum.com/registration>.

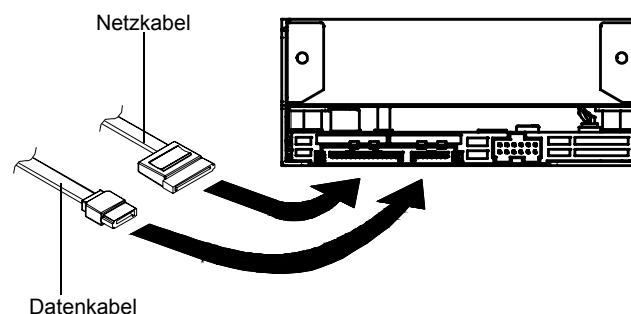
### Ein internes Bandlaufwerk mit einem SATA-Steckverbinder installieren

Um ein internes Bandlaufwerk mit einem SATA-Steckverbinder zu installieren:

- 1 Den Inhalt Ihres Laufwerkpakets auspacken. Wenn ein Teil beschädigt ist, kontaktieren Sie bitte sofort die Stelle, bei der Sie es erworben haben.
- 2 Zusätzlich zu den Artikeln, die dem Bandlaufwerk beigelegt sind, benötigen Sie die folgenden Artikel:
  - Ein richtig installierter und in einem Hostcomputer konfigurierter SATA-Hostadapter (für SATA-Laufwerke).
  - Ein 3,5-Zoll- oder 5,25-Zoll-Schacht halber Höhe
  - Ein SATA-Datenkabel
  - Backup-Anwendungssoftware, die das Bandlaufwerk unterstützt. Um eine Liste der neuesten Backup-Softwareanwendungen, die mit internen DDS-4- und DAT 72-Bandlaufwerken getestet wurden, zu erhalten, besuchen Sie bitte unsere Website unter [www.quantum.com/support](http://www.quantum.com/support).

- 3 Bevor Sie mit der Installation fortfahren, besorgen Sie alle Werkzeuge, die Sie zur Installation des internen Bandlaufwerkes in den Einbauschacht des Computers benötigen. In der folgenden Liste werden einige der notwendigen Werkzeuge aufgeführt:
  - Kreuzschlitzschraubenzieher
  - Schlitz-Schraubendreher, wenn Flachkopfschrauben für den Computer verwendet werden
  - Torx-Schraubendreher, wenn Torx-Schrauben für den Computer verwendet werden
  - Computerdokumentationen, in denen Sie während der Installation weitere Informationen nachlesen können
- 4 Schalten Sie Ihren Computer aus, entfernen Sie die Abdeckung und das Netzkabel und wählen Sie einen Einbauschacht für das Laufwerk. Wählen Sie einen 3,5-Zoll- oder 5,25-Zoll-Schacht, abhängig von Ihrem Laufwerk.
- 5 Heben Sie das Laufwerk in den Schacht, und sichern Sie es mit den mitgelieferten Schrauben.
- 6 Installieren Sie die Daten- und Netzanschlüsse:
  - a Schließen Sie ein Ende des SATA-Datenkabels am SATA-Datenanschluss des Laufwerks an.
  - b Schließen Sie das andere Ende des SATA-Datenkabels am SATA-Datenanschluss auf der SATA-Karte bzw. dem Hauptplatinen-SATA-Anschluss an.
  - c Schließen Sie ein Ende des SATA-Netzteilkonvertierungs-Adapterkabels am 4-poliges Netzkabel des internen Netzteils des Computers an.
  - d Schließen Sie das andere Ende des Adapterkabels am Laufwerk an.

Abbildung 9 SATA-Verbindungen



- 7 Sie müssen ein SATA-Datenkabel und einen SATA-zu-USB-Adapter verwenden. Bitte folgen Sie den Installationsanweisungen im *SATA-zu-USB-Adapter-Installationshandbuch*, das dem Adapter beiliegt.
- 8 Befestigen Sie die Computerabdeckungen und das Netzkabel, schalten Sie den Computer ein und prüfen Sie, ob das interne Bandlaufwerk richtig funktioniert.
- 9 Registrieren Sie das Bandlaufwerk unter <http://www.quantum.com/registration>.

## Sicherheitserklärung

Die DDS-4/DAT 72-Laufwerke sind sicherheitskonform und entsprechen den folgenden Regulierungsbehörden und Kennzeichen in den Ländern, wie aufgeführt.

Land	Regulierungsbehörde	Konform nach:
Kanada	Canadian Standards Association (CSA)	UL/CSA 60950-1
EU-Mitgliedsstaaten	Comité Européen de Normalisation Electrotechnique - European Committee for Electrotechnical Standardization; Europäisches Komitee für elektrotechnische Normung(CENELEC)	EN 60950-1, erste Auflage
IECEE*-Mitgliedsstaaten	IECEE* International Electrotechnical Commission on Electrical Equipment (IECEE) für wechselseitige Bestätigung von Testzertifikaten von elektrischen Geräten "CB-Schema"	CB-Schema für IEC 60950-1 mit Details und Ausnahmen für jedes Mitgliedsland
Israel	SII	CB-Schema
Mexiko	Normas Oficiales Mexicanas (NOM), ähnlich wie UL	NOM-Standards
Singapur	Productivity and Standards Board (PSB)	PSB-Sicherheitsbescheinigung CB-Schema
Südafrika	SABS	CB-Schema
Südkorea	MIC	CB-Schema
Taiwan	BSMI	BSMI-Bescheinigung, CNS 14336
Vereinigte Staaten	Canadian Standards Association (CSA)	UL/CSA 60950-1

\* Mitgliedsstaaten der IECEE: Argentinien, Australien, Belgien, Brasilien, China (PR), Dänemark, Deutschland, Finnland, Frankreich, Indien, Irland, Israel, Italien, Japan, Kanada, (Süd-)Korea, Montenegro, Niederlande, Norwegen, Österreich, Polen, Russland, Schweiz, Serbien, Singapur, Slowakei, Slowenien, Spanien, Sdafrika, Tschechien, Trkei, Ungarn, USA, Vereinigtes Knigreich



## Elektromagnetische Verträglichkeit (EMC)

Die DDS-4/DAT 72-Laufwerke sind EMC-konform und entsprechen den folgenden Regulierungsbehörden und Kennzeichen in den Ländern, wie aufgeführt.

Land	Regulierungsbehörde	Konform nach:
Australien	Standards Australia Spectrum Management "C-Tick"	AS/NZS 3548 (dasselbe wie CISPR 22)
Kanada	Industry Canada Digital Apparatus - Interference-Causing Equipment Standard (ICES-003)	ICES-003 Digital Apparatus
EU-Mitgliedsstaaten	CE	Emissionen für CISPR 22, EN55022 und Immunität für CISPR 24, EN55024
Israel	SII	CISPR-22, Klasse B, CISPR-24
Japan	Voluntary Control Council for Interface (VCCI)	Das ist eine freiwillige Zustimmungsnorm; die Laufwerke erfüllen sie über die CE/EMC-Erklärung
Neuseeland	Standards Australia Spectrum Management "C-Tick"	AS/NZS 3548 (dasselbe wie CISPR 22)
Russland	GOSSTANDART (GOST)	CISPR-22, Klasse B, CISPR-24
Südkorea	MIC	CISPR 22 und 24
Taiwan	Bureau of Commodity Inspection and Quarantine (BSMI)	BSMI EMC-Bescheinigung CNS 14338
Vereinigte Staaten	Federal Communications Commission (FCC)	Titel 47: Richtlinie der Bundesregulierungen, Teil 15, unterer Teil B (47CFR15B),

**Anmerkung:** Verwenden Sie diese Laufwerke nur in Geräten, in denen die Zusammenstellung von einer entsprechenden Zertifizierungsbehörde (z.B. Underwriters Laboratories Inc oder die Canadian Standards Association in Nordamerika) für geeignet festgelegt wurde.

Bitte beachten Sie die folgenden Sicherheitspunkte:

- Installieren Sie das Laufwerk in einem Gehäuse, das dem Benutzer den Zugang zu sich bewegenden Teilen beschränkt, geeignete Systemstabilität garantiert und die erforderliche Erdung für das Laufwerk bietet.
- Versorgen Sie das Gerät mit der richtigen Spannung (+5 VDC und +12 VDC), die auf den anzuwendenden Vorschriften basiert-Kleinspannung (SEC) für UL und CSA und Sicherheitsniedrigspannung für BSI und VDE (gegebenenfalls).



Hilfe erhalten Sie im Technische Hilfe-Center bei Quantum:  
 Nordamerika +1-800-284-5101  
 GB, Frankreich und Deutschland 00800 4 QUANTUM  
 EMEA +44 1256 848 766

Weltweiter Support: [www.quantum.com/contactsupport](http://www.quantum.com/contactsupport)

**Quantum**  
 Backup. Recovery. Archiv. Das ist es, was wir machen.

©2006 Quantum Corporation. Alle Rechte vorbehalten. Quantum, das Quantum-Logo und alle anderen Logos sind eingetragene Marken der Quantum Corporation und ihrer jeweiligen Inhaber.

Quantum

Quantum Corp. (NYSE: DSS) ist das führende, weltweite Speicherungsunternehmen, das sich auf die Sicherung von Backup, Recovery und Archivierung spezialisiert. Durch eine Kombination aus gezielter Fachkenntnis, kundenorientierter Innovation und Plattformunabhängigkeit bietet Quantum ein reichhaltiges Angebot an Festplatten, Bändern, Speichermedien und Softwarelösungen, die von einer exklusiven Verkaufs- und Serviceorganisation unterstützt werden. Als ein langjähriger und zuverlässiger Partner arbeitet das Unternehmen eng mit einem umfassenden Netzwerk an Wiederverkäufern, OEMs und anderen Anbietern, um die entstehenden Anforderungen der Kunden zur Datensicherung zu erfüllen.



# Instrucciones de instalación de unidades de cinta de escritorio e internas

## ¡Felicidades!

Ha adquirido la mejor y más confiable unidad de almacenamiento digital de datos (DDS) disponible. Las unidades DDS-4 (modelos STD2401LW y STD6402W) y DAT 72 (modelos CD72LWH, CD72LWE, CD72SE y CD72SH) representan el compromiso de Quantum de crear productos de unidades de cinta confiables y duraderos que implementen la tecnología más reciente. Con su diseño para entornos informáticos que requieran de alto rendimiento y gran capacidad de almacenamiento de datos, las unidades DDS-4 y DAT 72 están equipadas con un mecanismo de 3,5 pulgadas y están disponibles en los formatos de unidad de cinta interna, de escritorio y para montaje en bastidor. Las unidades combinan la tecnología establecida de cinta de audio digital (DAT) y las capacidades de grabación de alta densidad y de compresión de datos por hardware con el diseño para equipos de cómputo comprobado por Quantum para proporcionar características de confiabilidad y de rendimiento sin igual entre los productos de DDS.

## Tabla de contenido

- Instalación de la unidad de cinta de escritorio con un conector SCSI .....35
- Instalación de la unidad de cinta de escritorio con un conector USB.....36
- Instalación de la unidad de cinta interna con un conector SCSI ...38
- Instalación de la unidad de cinta interna con un conector SATA.41
- Cumplimiento de normas de seguridad.....43
- Compatibilidad electromagnética .....44
- Francés .....12
- Alemán .....23
- Español .....34
- Japonés.....45
- Coreano .....56
- Chino simplificado.....67
- Chino tradicional.....78



## Unidad de cinta de escritorio

### Instalación de una unidad de cinta de escritorio con un conector SCSI

Para instalar una unidad de cinta de escritorio con un conector SCSI:

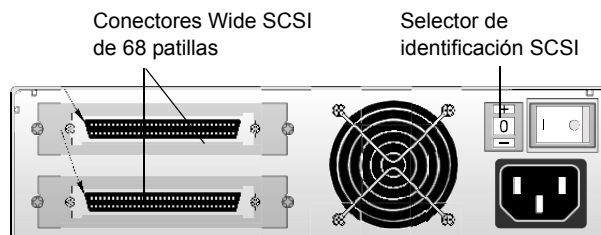
- 1 Saque el contenido del paquete de la unidad. Si algún elemento está dañado, comuníquese inmediatamente con el lugar donde lo compró.

Figura 1 Unidad externa



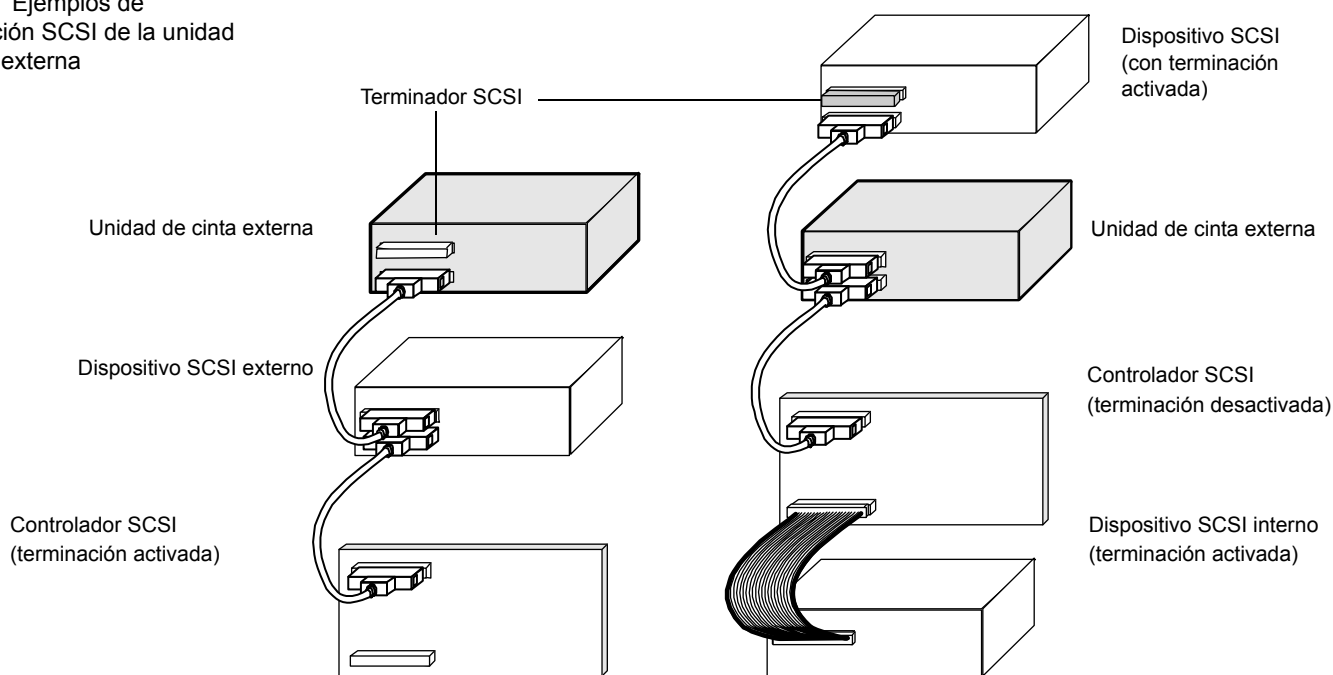
- 2 Además del contenido incluido con la unidad de cinta de escritorio, necesitará lo siguiente:
  - Un adaptador de bus de host SCSI correctamente instalado y configurado en un equipo host.
  - Un adaptador de 50 a 68 patillas, si el equipo tiene un conector de interfaz SCSI angosta.
  - Software de copiado de seguridad que sea compatible con la unidad de cinta. Para ver una lista de las aplicaciones más recientes de software de copiado de seguridad que se han probado con las unidades de cinta DDS-4 y DAT 72, visite nuestro sitio web en [www.quantum.com/support](http://www.quantum.com/support).
- 3 Verifique la configuración predeterminada de la unidad y cámbiela si es necesario: (para información de configuración detallada y la ubicación de los interruptores, consulte la Guía del usuario en el CD-ROM).
  - Identificación SCSI: 6
  - Revisión de paridad: Activada
  - Alimentación del terminador: suministrado al bus SCSI
  - Compresión de datos: Activada
  - Reconocimiento de medios (unidades DDS-4 solamente): Activado
  - Autoprueba de encendido: Activada
  - Sistema operativo del host: Windows 98/Me/XP/NT/2000/2003 Server
  - Compatibilidad de interfaz SCSI (unidades DDS-4 solamente): SCSI Amplio
  - Identificación de proveedor: SEAGATE DAT
- 4 Conecte un cable de interfaz SCSI a la unidad. Se puede usar cualquiera de los dos conectores para conectar la unidad al equipo host o a otro dispositivo SCSI.

Figura 2 Ejemplos de terminación SCSI de la unidad de cinta externa



5 Verifique la terminación SCSI.

Figura 3 Ejemplos de terminación SCSI de la unidad de cinta externa



Ejemplo 1: terminación SCSI en un sistema que tiene solamente dispositivos SCSI externos.

Ejemplo 2: terminación SCSI en un sistema que tiene tanto dispositivos SCSI internos como externos.

- 6 Conecte un cable de alimentación al conector de corriente alterna que se encuentra en la parte posterior de la unidad de cinta. Conecte el otro extremo del cable de alimentación a un enchufe de corriente alterna que funcione.
- 7 Encienda el equipo, encienda la unidad de cinta y verifique que la unidad de cinta funciona correctamente.
- 8 Registre la unidad de cinta en <http://www.quantum.com/registration>.

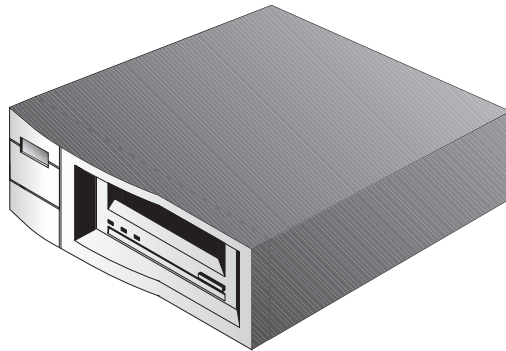
**Instalación de una unidad de cinta de escritorio con un conector USB**

Para instalar la unidad de cinta de escritorio con un conector USB:

- 1 Saque el contenido del paquete de la unidad. Si algún elemento está dañado, comuníquese inmediatamente con el lugar donde lo compró.



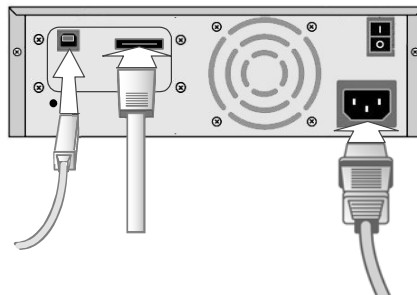
Figura 4 Unidad externa



- Además del contenido incluido con la unidad de cinta de escritorio, necesitará lo siguiente:
  - Cable USB o eSATA
- Conecte el cable USB o eSATA a la unidad de cinta y al puerto USB o eSATA del equipo.

**Nota:** Sólo para unidades de cinta USB: para obtener un rendimiento óptimo, la unidad de cinta USB deberá estar conectada a un puerto USB 2.0 y deberá ser el único dispositivo en el concentrador raíz.

Figura 5 Conexión de cables:  
Unidad de cinta USB/eSATA



- Registre la unidad de cinta en <http://www.quantum.com/registration>.

## Unidad de cinta interna

### Medidas de seguridad importantes

Su unidad de cinta interna tiene componentes muy sensibles que pueden dañarse debido a descargas electrostáticas. Tenga mucho cuidado al manipular la unidad, ya que se puede dañar debido a descargas electrostáticas. Antes de manipular la unidad, lea estas instrucciones sobre la descarga electrostática para prevenir daños a la unidad.

- Use una pulsera con conexión a tierra para prevenir descargas electrostáticas y tome precauciones similares contra descargas electrostáticas al trabajar con la unidad. Asegúrese de que la pulsera esté en contacto con la piel. No se quite la pulsera hasta que haya terminado de trabajar con la unidad.

- Evite el contacto entre la unidad, otros equipos y la ropa. La pulsera sólo protege al equipo contra voltajes de descarga electrostática del cuerpo; los voltajes de descarga electrostáticos en la ropa aún pueden ocasionar daños.
- Cuando no utilice la unidad consérvela dentro de la bolsa antiestática.
- Antes de sacar la unidad de la bolsa antiestática, toque una superficie de metal o conectada a tierra para descargar la electricidad estática acumulada en su cuerpo.
- Sostenga la unidad por sus bordes solamente. Evite tocar las partes expuestas de la tarjeta de circuitos impresos.
- Para reducir la probabilidad de que se produzcan daños por descargas eléctricas, deje siempre la unidad sobre la bolsa antiestática o dentro de la misma.

### Instalación de una unidad de cinta interna con un conector SCSI

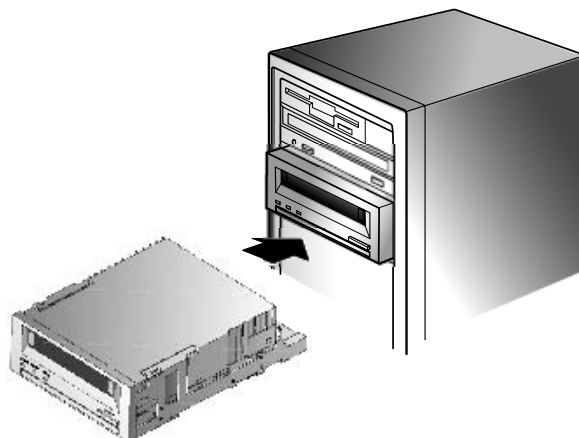
Para instalar una unidad de cinta interna con un conector SCSI:

- 1 Saque el contenido del paquete de la unidad. Si algún elemento está dañado, comuníquese inmediatamente con el lugar donde lo compró.
- 2 Además del contenido incluido con la unidad de cinta, necesitará los elementos siguientes:
  - Un adaptador de bus de host SCSI (para las unidades SCSI) que esté instalado y configurado correctamente en un equipo host
  - Un alojamiento de media altura de 3,5 ó de 5,25 pulgadas
  - Un cable plano SCSI
  - Software de copiado de seguridad que sea compatible con la unidad de cinta. Para ver una lista de las aplicaciones más recientes de software de copiado de seguridad que se han probado con las unidades de cinta DDS-4 y DAT 72, visite nuestro sitio web en [www.quantum.com/support](http://www.quantum.com/support).
- 3 Antes de continuar con la instalación, reúna las herramientas que necesitará para instalar la unidad de cinta interna en el alojamiento de montaje del equipo. La lista siguiente identifica algunas de las herramientas que necesitará:
  - Destornillador Phillips
  - Destornillador de punta plana, si su equipo tiene tornillos con cabeza plana
  - Destornillador TORX, si el equipo usa tornillos de éste tipo
  - Documentación del equipo, la cual puede consultar durante la instalación

Es posible que necesite elementos adicionales, según sus requisitos de instalación.
- 4 Verifique la configuración predeterminada de la unidad y cámbiela si es necesario: (Para obtener información de configuración detallada, consulte la Guía del usuario en el CD-ROM).
  - Revisión de paridad: Activada
  - Alimentación del terminador: suministrado al bus SCSI
  - Compresión de datos: Activada
  - Reconocimiento de medios (unidades DDS-4 solamente): Activado
  - Autoprueba de encendido: Activada



Figura 7 Montaje de la unidad de cinta interna



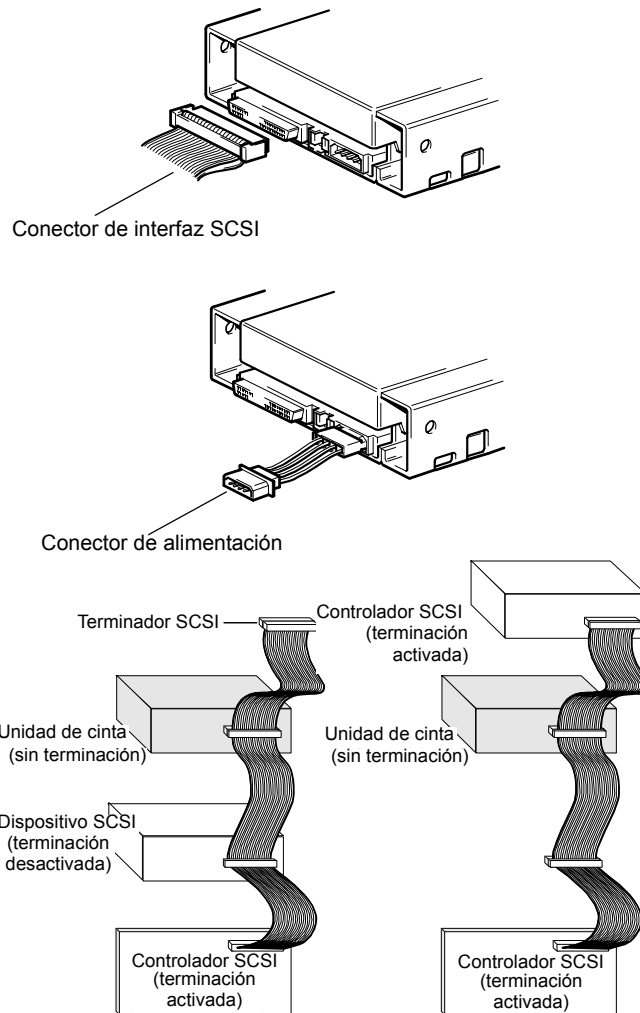
- 5** Apague el equipo; retire las cubiertas y el cable de alimentación y elija el alojamiento de montaje para la unidad. Dependiendo de la unidad, seleccione un alojamiento de 3,5 ó de 5,25 pulgadas.
- 6** Monte la unidad en el alojamiento y asegúrela utilizando los tornillos suministrados.
- 7** Instale los conectores de datos y de alimentación:
  - a** Conecte un cable de interfaz SCSI a la unidad.

Las unidades de cinta internas se pueden utilizar con una interfaz Wide SCSI, ya sea de diferencial de bajo voltaje (LVD) o con terminación única (modo amplio de 16 bits). La unidad de cinta detecta automáticamente si el bus SCSI es LVD o de terminación única. Compruebe que la unidad de cinta interna no sea el último dispositivo en el bus SCSI (la unidad no cuenta con terminación SCSI); el bus SCSI debe contar con la terminación correcta.
  - b** Conecte un cable de alimentación de 4 patillas desde el suministro de alimentación interna del equipo hasta el conector de alimentación, ubicado en la parte posterior de la unidad de cinta interna.





Figura 8 Terminación SCSI  
Unidad interna



- 9 Vuelva a colocar las cubiertas del equipo y el cable de alimentación, encienda el equipo y verifique que la unidad de cinta interna funciona correctamente.
- 10 Registre la unidad de cinta en <http://www.quantum.com/registration>.

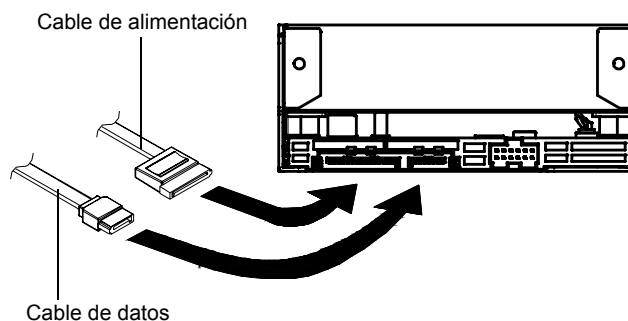
### Instalación de una unidad de cinta interna con un conector SATA

Para instalar una unidad de cinta interna con un conector SATA:

- 1 Saque el contenido del paquete de la unidad. Si algún elemento está dañado, comuníquese inmediatamente con el lugar donde lo compró.
- 2 Además del contenido incluido con la unidad de cinta, necesitará los elementos siguientes:
  - Un adaptador de bus de host SATA (para las unidades SATA) que esté instalado y configurado correctamente en un equipo host
  - Un alojamiento de media altura de 3,5 ó de 5,25 pulgadas
  - Un cable de datos SATA

- Software de copiado de seguridad que sea compatible con la unidad de cinta. Para ver una lista de las aplicaciones más recientes de software de copiado de seguridad que se han probado con las unidades de cinta DDS-4 y DAT 72, visite nuestro sitio web en [www.quantum.com/support](http://www.quantum.com/support).
- 3 Antes de continuar con la instalación, reúna las herramientas que necesitará para instalar la unidad de cinta interna en el alojamiento de montaje del equipo. La lista siguiente identifica algunas de las herramientas que necesitará:
    - Destornillador Phillips
    - Destornillador de punta plana, si su equipo tiene tornillos con cabeza plana
    - Destornillador TORX, si el equipo usa tornillos de éste tipo
    - Documentación del equipo, la cual puede consultar durante la instalación
  - 4 Apague el equipo; retire las cubiertas y el cable de alimentación y elija el alojamiento de montaje para la unidad. Dependiendo de la unidad, seleccione un alojamiento de 3,5 ó de 5,25 pulgadas.
  - 5 Monte la unidad en el alojamiento y asegúrela utilizando los tornillos suministrados.
  - 6 Instale los conectores de datos y de alimentación:
    - a Conecte un extremo del cable de datos SATA al conector de datos SATA de la unidad.
    - b Conecte el otro extremo del cable de datos SATA al conector de datos SATA de la tarjeta SATA o al conector SATA de la placa principal.
    - c Conecte un extremo del cable adaptador de conversión de suministro de alimentación SATA a un cable de alimentación de 4 patillas del suministro de alimentación interna del equipo.
    - d Conecte el otro extremo del cable adaptador a la unidad.

Figura 9 Conexiones SATA



- 7 Deberá usar un cable de datos SATA y un adaptador de SATA a USB. Siga las instrucciones de instalación en la *Guía de instalación del adaptador de SATA a USB* que se incluye con el adaptador.
- 8 Vuelva a colocar las cubiertas del equipo y el cable de alimentación, encienda el equipo y verifique que la unidad de cinta interna funciona correctamente.
- 9 Registre la unidad de cinta en <http://www.quantum.com/registration>.

## Cumplimiento de normas de seguridad

Las unidades DDS-4 y DAT 72 cumplen con las normas de seguridad de las siguientes organizaciones y códigos reguladores en los países que se indican.

<b>País</b>	<b>Organización reguladora</b>	<b>Cumple con la norma:</b>
Canadá	Canadian Standards Association (CSA)	UL/CSA 60950-1
Naciones de la Unión Europea	Comité Européen de Normalisation Electrotechnique: el Comité Europeo de Normalización Electrotécnica (CENELEC)	EN 60950-1, 1.ª edición
Naciones miembros de la IECEE*	IECEE* Comisión Internacional Electrotécnica sobre Equipo Eléctrico (IECEE) para el reconocimiento mutuo de certificados de prueba para el equipo eléctrico "Esquema CB"	Esquema CB según IEC 60950-1 con detalles y excepciones para cada país miembro
Israel	SII	Esquema CB
México	Normas Oficiales Mexicanas (NOM), semejante a UL	Estándares NOM
Singapur	Consejo de Productividad y Estándares (PSB)	Certificación de seguridad del PSB Esquema CB
Sudáfrica	SABS	Esquema CB
Corea del Sur	MIC	Esquema CB
Taiwán	BSMI	Certificación BSMI, CNS 14336
Estados Unidos	Canadian Standards Association (CSA)	UL/CSA 60950-1

\* Las naciones que son miembros de la IECEE incluyen: Argentina, Alemania, Austria, Australia, Bélgica, Brasil, Canadá, China (República Popular), Corea (del Sur), Dinamarca, EE.UU., Eslovaquia, Eslovenia, España, Federación Rusa, Finlandia, Francia, Hungría, India, Irlanda, Israel, Italia, Japón, Noruega, Montenegro, Países Bajos, Polonia, Reino Unido, República Checa, Serbia, Singapur, Sudáfrica, Suiza, Turquía.



## Compatibilidad electromagnética

Las unidades DDS-4 y DAT 72 cumplen con las normas de compatibilidad electromagnética de las siguientes organizaciones y códigos reguladores en los países que se indican.

País	Organización reguladora	Cumple con la norma:
Australia	Administración del Espectro de Estándares de Australia "C-Tick"	AS/NZS 3548 (igual a CISPR 22)
Canadá	Aparato digital de Industry Canada: Estándar de Equipo que Produce Interferencia (ICES-003)	Aparato digital ICES-003
Naciones de la Unión Europea	CE	Emisiones según CISPR 22, EN55022 e inmunidad según CISPR 24, EN55024
Israel	SII	CISPR-22, Clase B, CISPR-24
Japón	Consejo de Control Voluntario para Interfaces (VCCI)	Este es un estándar de cumplimiento voluntario; las unidades cumplen con el mismo mediante el cumplimiento de la norma CE/EMC
Nueva Zelanda	Administración del Espectro de Estándares de Australia "C-Tick"	AS/NZS 3548 (igual a CISPR 22)
Rusia	GOSSTANDART (GOST)	CISPR-22, Clase B, CISPR-24
Corea del Sur	MIC	CISPR 22 y 24
Taiwán	Agencia de Cuarentena e Inspección de Productos (BSMI)	Certificación de compatibilidad electromagnética de BSMI, CNS 14338
Estados Unidos	Comisión Federal de Comunicaciones (FCC)	Título 47: Código de Regulaciones Federales, parte 15, apartado B (47CFR15B),

**Nota:** Use estas unidades únicamente en equipos cuya combinación haya sido identificada como adecuada por parte de las organizaciones de certificación correspondientes (por ejemplo, Underwriters Laboratories Inc., o la Canadian Standards Association en Norteamérica).

Debe considerar también los siguientes puntos de seguridad:

- Instale la unidad en un gabinete que limite el acceso del usuario a las partes activas que llevan corriente eléctrica, que proporcione estabilidad adecuada del sistema y que ofrezca la conexión a tierra que la unidad necesita.
- Proporcione los voltajes adecuados (5 VCC y 12 VCC) según las normas que correspondan: Voltaje extra bajo (SEC) para UL y CSA, y voltaje extra bajo de seguridad para BSI y VDE (si corresponde).



Para obtener asistencia, comuníquese con el centro de asistencia técnica de Quantum:

Norteamérica +1-800-284-5101  
Reino Unido, Francia y Alemania 00800 4 QUANTUM  
Europa, Medio Oriente y África +44 1256 848 766

Para obtener asistencia técnica en todo el mundo:

[www.quantum.com/contactsupport](http://www.quantum.com/contactsupport)

# Quantum®

Copiado de seguridad. Recuperación. Archivado. Es de lo que nos encargamos.

©2006 Quantum Corporation. Todos los derechos reservados. Quantum, el logotipo Quantum y todos los logotipos son marcas comerciales registradas de Quantum Corporation o de sus respectivos dueños.

Quantum Corp. (NYSE: DSS) es la empresa de almacenamiento líder a nivel mundial que se especializa en copias de seguridad, recuperación y archivado. Al combinar la experiencia enfocada, la innovación impulsada por los clientes y la independencia de plataformas, Quantum proporciona una gama integral de soluciones de discos, cintas, cartuchos y software que tienen el apoyo de una organización de ventas y servicio de clase mundial. Como socio de confianza y con una larga permanencia, la empresa trabaja muy de cerca con una amplia red de distribuidores, fabricantes de equipo original y otros proveedores a fin de satisfacer las cambiantes necesidades de protección de datos de los clientes.

# テーブルトップ型および 内蔵型テープドライブ 取り付けマニュアル

本製品をお買いあげいただき、ありがとうございます。

本品は、最高の品質と信頼性を誇るデジタルデータストレージ (DDS) ドライブです。DDS-4 (モデル STD2401LW / STD6402W) および DAT 72 (モデル CD72LWH、CD72LWE、CD72SE、CD72SH) ドライブは、高性能、大容量のデータ保存が要求されるコンピュータ環境向けに Quantum が信頼性と堅牢性を追求して設計した、先端のテクノロジーを実装したテープドライブ製品です。これらのドライブ製品は 3.5 インチをベースに設計されており、内蔵型、テーブルトップ型、さらにラックマウント型のテープドライブをご用意しています。ドライブには、既存のデジタルオーディオテープ (DAT) テクノロジー、高密度レコーディング、ハードウェアデータ圧縮機能に、Quantum 独自のコンピュータグレードの設計を組合せ、DDS 製品の中でも卓越する信頼性と性能特性を実現しています。

## 目次

- SCSI コネクタを使用したテーブルトップ型テープドライブの取り付け方 ..... 46
- USB コネクタを使用したテーブルトップ型テープドライブの取り付け方 ..... 48
- SCSI コネクタを使用した内蔵型テープドライブの取り付け方 ..... 49
- SATA コネクタを使用した内蔵型テープドライブの取り付け方 ..... 52
- 安全規約の準拠 ..... 54
- 電磁適合性 (EMC) ..... 55
- フランス語 ..... 12
- ドイツ語 ..... 23
- スペイン語 ..... 34
- 日本語 ..... 45
- 韓国語 ..... 56
- 中国語 (簡体字) ..... 67
- 中国語 (繁体字) ..... 78

## テーブルトップ型テープドライブ

### SCSI コネクタを使用した テーブルトップ型 テープドライブの 取り付け

SCSI コネクタを使用したテーブルトップ型テープドライブの取り付け方

- 1 パッケージの内容物を取り出します。損傷しているものがある場合は、直ちに購入店にお問い合わせください。

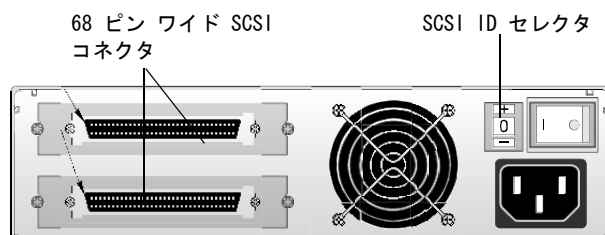
図 1 外付けドライブ



- 2 テーブルトップ型テープドライブに添付されている内容物の他に、次の品目が必要です。
  - ホスト コンピュータ内に正しく取付けおよび設定されている SCSI ホスト バスアダプタ。
  - 50-68 ピン アダプタ (ご利用のコンピュータに、ナロー SCSI インターフェイス コネクタがある場合)
  - テープドライブをサポートするバックアップ アプリケーション ソフトウェア DDS-4 および DAT 72 テープドライブでテスト済みの最新のバックアップソフトウェア アプリケーションの一覧は、[www.quantum.com/support](http://www.quantum.com/support) を参照してください。
- 3 ドライブのデフォルト設定を再確認し、必要に応じて以下のように変更します。(設定情報の詳細およびスイッチの位置については、CD-ROM のユーザーズ ガイドを参照してください。)
  - SCSI ID : 6
  - パリティ チェック : 有効
  - ターミネータ電源 : SCSI バスへ供給
  - データ圧縮 : 有効
  - メディア認識 (DDS-4 ドライブのみ) : 有効
  - 電源投入時の自己診断テスト (POST) : 有効
  - ホスト オペレーティング システム : Windows 98/Me/XP/NT/2000/2003 Server
  - SCSI インタフェース互換 (DDS-4 ドライブのみ) : ワイド SCSI
  - ベンダー ID : SEAGATE DAT

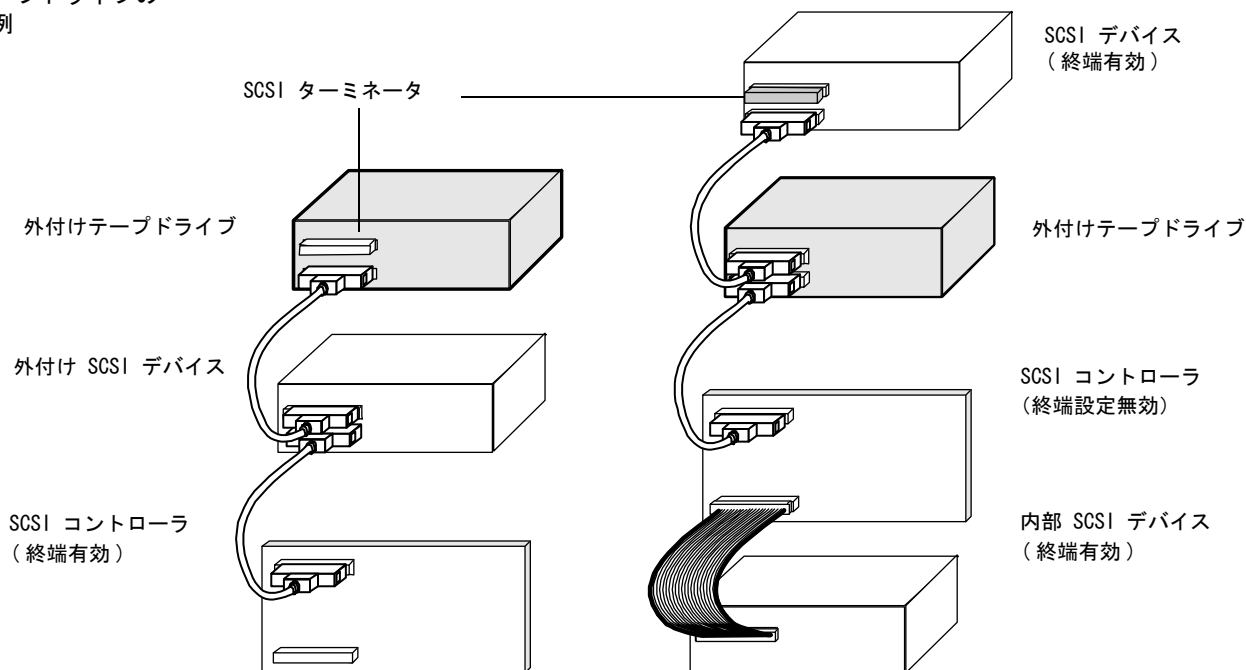
- 4 SCSI インターフェイス ケーブルをドライブに接続します。どちらのコネクタを使用しても、ドライブをホスト コンピュータまたは別の SCSI デバイスに接続することができます。

図 2 外付けテープドライブの SCSI 終端設定例



- 5 SCSI の終端設定を確認します。

図 3 外付けテープドライブの SCSI 終端設定例



例 1: SCSI 終端設定  
(外付け SCSI デバイスのみを持つシステム)

例 2: SCSI 終端設定  
(内蔵および外付けの両 SCSI デバイスを持つシステム)

- 6 テープドライブの背面にある AC 電源コネクタに電源ケーブルを接続します。電源ケーブルの他端を通電する AC コンセントに接続します。
- 7 コンピュータに電源を入れ、テープドライブにも電源を入れてから、このテープドライブが正しく動作していることを確認します。
- 8 <http://www.quantum.com/registration> にて、ご利用のテープドライブの登録を行います。

## テーブルトップ型および内蔵型テープドライブ 取り付けマニュアル

### USB コネクタを使用 したテーブルトップ型 テープドライブ の取り付け

USB コネクタを使用したテーブルトップ型テープドライブの取り付け方

- 1 パッケージの内容物を取り出します。損傷しているものがある場合は、直ちに購入店にお問い合わせください。

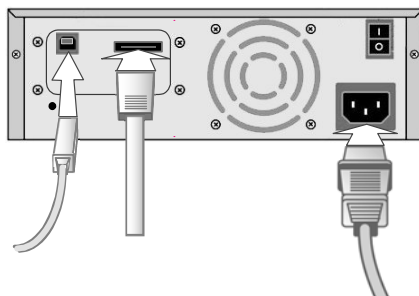
図 4 外付けドライブ



- 2 テーブルトップ型テープドライブに添付されている内容物の他に、次の品目が必要です。
  - USB または eSATA ケーブル
- 3 USB / eSATA ケーブルを、テープドライブとお使いのコンピュータの USB / eSATA ポートに接続します。

**注：** USB テープドライブのみ – 最大のパフォーマンスを実現するには、USB テープドライブを USB 2.0 ポートに接続し、ルートハブにはほかのデバイスを接続しません。

図 5 ケーブルの接続 — USB/  
eSata テープドライブ



- 4 <http://www.quantum.com/registration> で、テープドライブを登録します。



## 内蔵型テープドライブ

### 安全上の重要な注意事項

内蔵型テープドライブには、静電気放電（ESD）の影響を受けやすく、損傷するおそれのあるコンポーネントが含まれています。ESD による損傷を防ぐため、ドライブの取り扱いには十分注意してください。取り扱い前に、ESD 対策に関する説明読んで、ドライブへの損傷防止に役立てます。

- ドライブを取り扱うときには、ESD 防止のリスト バンドを装着するか、同様の ESD 防止策をとってください。リスト バンドは、皮膚に確実に接触させてください。ドライブの作業が完了するまでリスト バンドは外さないでください。
- ドライブがその他の機器または衣類と接触しないようにします。リスト バンドが保護するのは、身体からの静電気放電（ESD）だけなので、衣類からの静電気が損傷の原因になるおそれがあります。
- 未使用時は、ドライブを帯電防止用の袋に入れて保管してください。
- 帯電防止用の袋からドライブを取り出す前に、金属面または接地面に触れ、身体に蓄積した静電気を放出してください。
- ドライブは、端の部分だけを持ってください。プリント基板が露出している部分には触れないでください。
- ドライブは、常に帯電防止用の袋の上に置くか、その中に入れ、静電気放電（ESD）による損傷を受けないようにしてください。

### SCSI コネクタを使用した内蔵型テープドライブの取り付け

SCSI コネクタを使用した内蔵型テープドライブの取り付け方

- 1 パッケージの内容物を取り出します。損傷しているものがある場合は、直ちに購入店にお問い合わせください。
- 2 テープドライブに添付される内容物の他に次の品目が必要です。
  - ホスト コンピュータに適切にインストールおよび設定されている SCSI ホストバス アダプタ（SCSI ドライブ用）
  - 3.5 インチまたは 5.25 インチ ハーフハイト ベイ
  - SCSI リボン ケーブル
  - テープドライブをサポートするバックアップ アプリケーション ソフトウェア DDS-4 および DAT 72 内蔵テープドライブでテスト済みの最新のバックアップソフトウェア アプリケーションの一覧は、[www.quantum.com/support](http://www.quantum.com/support) を参照してください。
- 3 ドライブの取り付けを始める前に、コンピュータの取り付けベイへ内蔵型テープドライブを取り付けるためのツールを準備してください。以下のようなツールが必要です。
  - プラスのドライバー
  - マイナス ドライバ（コンピュータにマイナスのねじがある場合）
  - トルクス（TORX）ドライバー（コンピュータにトルクスのねじがある場合）
  - 取り付け作業中に参照するコンピュータのマニュアル

## テーブルトップ型および内蔵型テープドライブ 取り付けマニュアル

各取り付け要件に応じて、さらに別の品目を要する場合があります。

### 4 ドライブのデフォルト設定を再確認し、必要に応じて以下のように変更します。(設定情報の詳細については、CD-ROM のユーザーズ ガイドを参照してください。)

- パリティ チェック：有効
- ターミナー電源：SCSI バスへ供給
- データ圧縮：有効
- メディア認識 (DDS-4 ドライブのみ)：有効
- 電源投入時の自己診断テスト (POST)：有効
- ベンダー ID：SEAGATE DAT
- ホスト オペレーティング システム：Windows 98, Windows Me, Windows XP, Windows NT, Windows 2000/2003 Server
- SCSI ID：6
- SCSI インタフェース互換 (DDS-4 ドライブのみ)
- ワイド SCSI

図 6 内部ジャンパおよび  
スイッチ設定

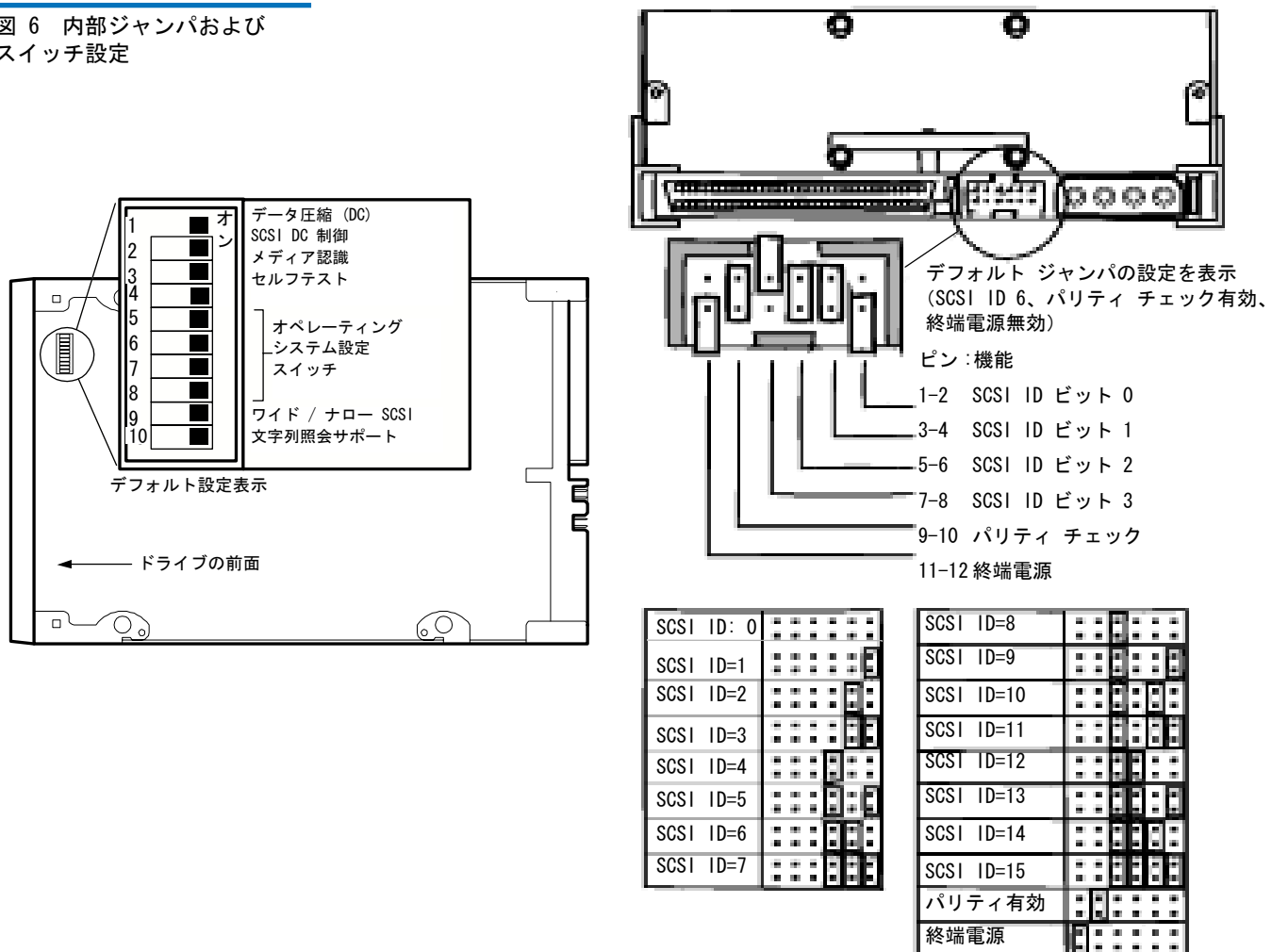
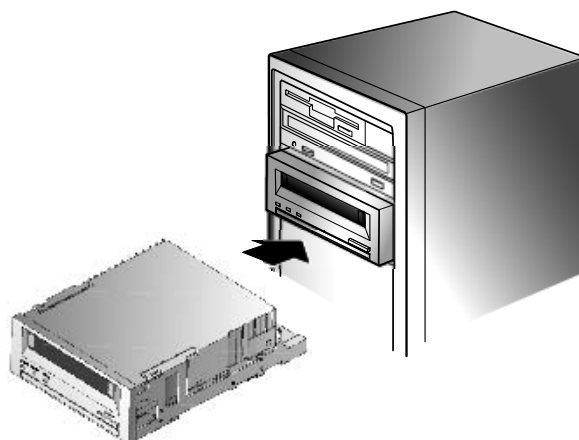
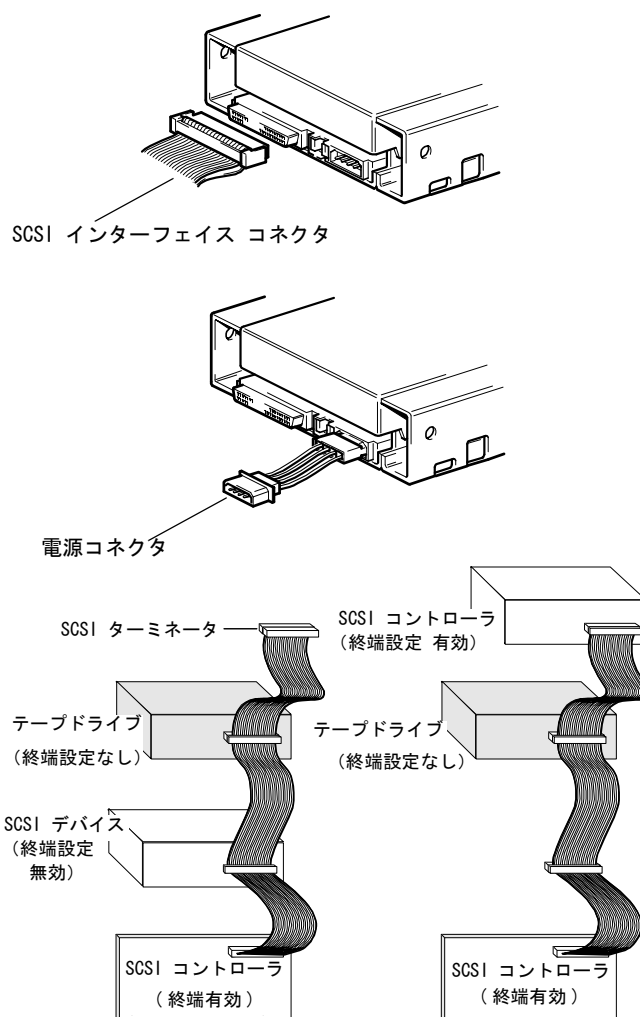


図 7 内蔵型テープドライブを取り付ける



- 5 コンピュータの電源を切り、カバーと電源コードを取り外して、ドライブの取り付けベイを選びます。ドライブに合わせて、3.5 インチまたは 5.25 インチのベイを選んでください。
- 6 ドライブをベイに取り付け、付属のねじで固定します。
- 7 データおよび電源コネクタの取り付け
  - a SCSI インターフェイス ケーブルをドライブに接続します。  
この内蔵型テープドライブは、低電圧ディファレンシャル型 (LVD) またはシングルエンド型 (16 ビット Wide モード) の Wide SCSI インターフェイスと使用することができます。SCSI バスが LVD であるか、またはシングルエンドであるかを、テープドライブは自動で検出します。内蔵型テープドライブを SCSI バス上の最終デバイスにしないでください (このドライブは SCSI の終端としては機能しません)。SCSI バスは正しく終端処理する必要があります。
  - b 4 ピンの電源ケーブルを使用して、コンピュータの内部パワーサプライを内蔵型テープドライブの背面にある AC 電源コネクタに接続します。

図 8 SCSI 終端設定  
内蔵ドライブ



- 9 コンピュータのカバーと電源コードを元に戻し、コンピュータに電源を入れ、内蔵型テープドライブが正しく動作していることを確認します。
- 10 <http://www.quantum.com/registration> で、テープドライブを登録します。

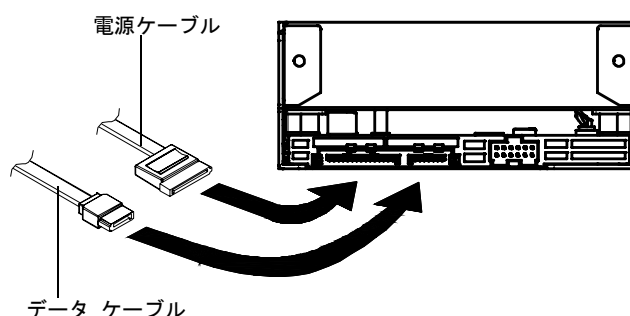
### SATA コネクタを使用した 内蔵型テープドライブの 取り付け

SATA コネクタを使用した内蔵型テープドライブの取り付け方

- 1 パッケージの内容物を取り出します。損傷しているものがある場合は、直ちに購入店にお問い合わせください。
- 2 テープドライブに添付されている内容物の他に次の品目が必要です。
  - ホスト コンピュータに適切にインストールおよび設定されている SCSI ホストバス アダプタ (SCSI ドライブ用)
  - 3.5 インチまたは 5.25 インチ ハーフハイト ベイ
  - SATA データケーブル 1 本

- テープドライブをサポートするバックアップ アプリケーション ソフトウェア DDS-4 および DAT 72 の内蔵型テープドライブでテスト済みの最新のバックアップソフトウェア アプリケーションの一覧は、[www.quantum.com/support](http://www.quantum.com/support) を参照してください。
- 3 ドライブの取り付けを始める前に、コンピュータの取り付けベイへ内蔵型テープドライブを取り付けるためのツールを準備してください。以下のようなツールが必要です。
    - プラスのドライバー
    - マイナス ドライバ（コンピュータにマイナスのねじがある場合）
    - トルクス（TORX）ドライバー（コンピュータにトルクスのねじがある場合）
    - 取付け作業中に参照するコンピュータのマニュアル
  - 4 コンピュータの電源を切り、カバーと電源コードを取り外して、ドライブの取り付けベイを選びます。ドライブに合わせて、3.5 インチまたは 5.25 インチのベイを選んでください。
  - 5 ドライブをベイに取り付け、付属のねじで固定します。
  - 6 データおよび電源コネクタの取り付け
    - a SATA データ ケーブルの一端をドライブの SATA データ コネクタに接続します。
    - b SATA データ ケーブルの他端を SATA カード上の SATA データ コネクタまたはメインボードの SATA コネクタに接続します。
    - c SATA パワーサプライ変換アダプタ ケーブルの一端をコンピュータの内部パワーサプライから 4 ピンの電源ケーブルに接続します。
    - d アダプタ ケーブルの他端をドライブに接続します。

図 9 SATA 接続



- 7 SATA データケーブル 1 本と SATA - USB アダプタ 1 個を使用してください。アダプタに同梱の『SATA - USB アダプタのインストール ガイド』に記載されている取り付けガイドにしたがってください。
- 8 コンピュータのカバーと電源コードを元に戻し、コンピュータに電源を入れ、内蔵型テープドライブが正しく動作していることを確認します。
- 9 <http://www.quantum.com/registration> で、テープドライブを登録します。

## 安全規約の準拠

DDS-4 / DAT 72 ドライブは、次の表に示す安全に関する各国の規制機関および規約に準拠しています。

国	規制機関	準拠している規約
カナダ	Canadian Standards Association (CSA)	UL/CSA 60950-1
EU 加盟国	Comité Européen de Normalisation Electrotechnique – the European Committee for Electrotechnical Standardization (CENELEC)	EN 60950-1, 1st edition
IECEE* 加盟国	IECEE* International Electrotechnical Commission on Electrical Equipment (IECEE) for Mutual Recognition of Test Certificates for Electrical Equipment “CB Scheme”	CB Scheme per IEC 60950-1 (各加盟国により詳細および例外あり)
イスラエル	SII	CB Scheme
メキシコ	Normas Oficiales Mexicanas (NOM) (UL と同様)	NOM 規格
シンガポール	Productivity and Standards Board (PSB)	PSB 安全認証 CB Scheme
南アフリカ	SABS	CB Scheme
韓国	MIC	CB Scheme
台湾	BSMI	BSMI 認証、CNS 14336
アメリカ合衆国	Canadian Standards Association (CSA)	UL/CSA 60950-1

\* IECEE 加盟国には、アルゼンチン、オーストリア、オーストラリア、ベルギー、ブラジル、カナダ、中国 (PR)、チェコ共和国、デンマーク、フィンランド、フランス、ドイツ、ハンガリー、インド、アイルランド、イスラエル、イタリア、日本、韓国、モンテネグロ、オランダ、ノルウェー、ポーランド、ロシア連邦、セルビア、シンガポール、スロバキア、スロベニア、南アフリカ、スペイン、スイス、トルコ、英国、米国が含まれます。

## 電磁適合性 (EMC)

DDS-4 / DAT 72 ドライブは、次の表に示す EMC に関する各国の規制機関および規約に準拠しています。

国	規制機関	準拠している規約
オーストラリア	Standards Australia Spectrum Management “C-Tick”	AS/NZS 3548 (CISPR 22 と同様)
カナダ	Industry Canada Digital Apparatus - Interference-Causing Equipment Standard (ICES-003)	ICES-003 Digital Apparatus
EU 加盟国	CE	Emissions per CISPR 22, EN55022 and Immunity per CISPR 24, EN55024
イスラエル	SII	CISPR-22, Class B, CISPR-24
日本	情報処理装置等電波障害自主規制協議会 (VCCI)	これは自主的な準拠規格です。ドライブは CE/EMC に準拠することにより本規格に適合しています。
ニュージーランド	Standards Australia Spectrum Management “C-Tick”	AS/NZS 3548 (CISPR 22 と同様)
ロシア	GOSSTANDART (GOST)	CISPR-22, Class B, CISPR-24
韓国	MIC	CISPR 22、24
台湾	Bureau of Commodity Inspection and Quarantine (BSMI)	BSMI EMC 認証、CNS 14338
アメリカ合衆国	Federal Communications Commission (FCC)	Title 47: Code of Federal Regulations, Part 15, Subpart B (47CFR15B),

**注：** ドライブは、適当な認証団体（例えば、北米の Underwriters Laboratories Inc. や Canadian Standards Association など）によって、組合せが適切であると認定された機器にのみ使用してください。

また、以下の安全事項も考慮してください。

- ドライブは筐体内に取り付けて、ユーザーによる通電部へのアクセスを限定し、システムの安定性を保ちながらドライブに必要な接地も行います。
- 該当する規格に基づいて、正しい電圧 (+ 5 VDC および + 12 VDC) を適用してください - UL および CSA 規格には超低電圧 (SEC)、BSI および VDE 規格には安全超低電圧 (適用可能な場合) を使用



ご質問は、Quantum のテクニカルサービスセンターにお問い合せください。

北米 +1-800-284-5101  
イギリス、フランス、ドイツ 00800 4 QUANTUM  
EMEA +44 1256 848 766

ワールドワイドサポート : [www.quantum.com/contactsupport](http://www.quantum.com/contactsupport)

# Quantum®

バックアップ、リカバリ、アーカイブ。これが当社の使命です。

©2006 Quantum corporation. All rights reserved. Quantum、Quantum のロゴ、その他すべてのロゴは、Quantum Corporation またはそれぞれの所有者の登録商標です。

Quantum Corp.

Quantum Corp. (NYSE: DSS) は、バックアップ、リカバリ、アーカイブを専門とする、ストレージ業界の世界的リーダーです。豊富な専門知識、お客様の要求を反映した技術開発、またプラットフォームに依存しないシステムという強みを持ち合わせた Quantum は、世界中の販売・サービス組織によって、ディスク、テープ、メディアおよびソフトウェアの総合的ソリューションを幅広く提供しています。当社は、長く信頼できるパートナーとして、再販業者、OEM、サプライヤと幅広いネットワークを構築しており、絶え間なく拡大するお客様のデータ保護の要求にお応えします。

# 탁상형 및 내장형 테이프 드라이브 설치 지침

## 축하합니다 !

현재 시중에 있는 제품 중 가장 정밀하고 가장 안정적인 디지털 데이터 스토리지 (DDS) 드라이브를 구입하셨습니다. DDS-4 (STD2401LW 및 STD6402W 모델) 및 DAT 72(CD72LWH, CD72LWE, CD72SE 및 CD72SH 모델) 드라이브는 고성능, 대용량 데이터 스토리지가 필요한 컴퓨터 환경에 맞게 설계된 최첨단 기술을 구현하는 안정적이고 내구성이 뛰어난 테이프 드라이브 제품입니다. 이는 최고의 제품에 대한 Quantum의 약속을 확인할 수 있는 증거가 되며, DDS-4 및 DAT 72 드라이브는 3.5 인치 메커니즘에 기반을 두고 내장형, 탁상형 및 랙장착 테이프 드라이브로 사용할 수 있습니다. 드라이브는 설정된 디지털 오디오 테이프 (DAT) 기술, 고밀도 기록 및 하드웨어 데이터 호환 성능을 Quantum의 입증된 컴퓨터급 설계와 결합하여 DDS 제품에서 비교할 수 없는 안정성 및 성능 특성을 제공합니다.

## 목차

- SCSI 커넥터로 탁상형 테이프 드라이브 설치 ..... 57
- USB 커넥터로 탁상형 테이프 드라이브 설치 ..... 58
- SCSI 커넥터로 내장형 테이프 드라이브 설치 ..... 60
- SATA 커넥터로 내장형 테이프 드라이브 설치 ..... 63
- 안전 수칙 준수 ..... 65
- 전자기 호환성 (EMC) ..... 66
- 프랑스어 ..... 12
- 독일어 ..... 23
- 스페인어 ..... 34
- 일본어 ..... 45
- 한국어 ..... 56
- 중국어 (간체) ..... 67
- 중국어 (번체) ..... 78





## 탁상형 테이프 드라이브

### SCSI 커넥터로 탁상형 테이프 드라이브 설치

SCSI 커넥터로 탁상형 테이프 드라이브를 설치하려면,

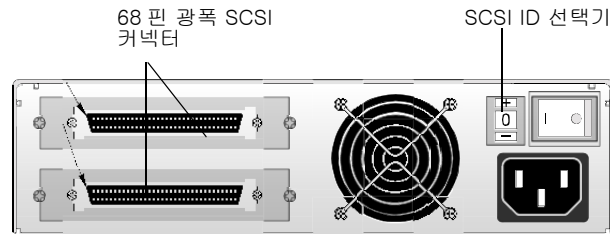
- 1 드라이브 패키지의 내용물을 꺼냅니다. 품목이 손상되었으면 즉시 구입처에 연락하십시오.

그림 1 외장형 드라이브



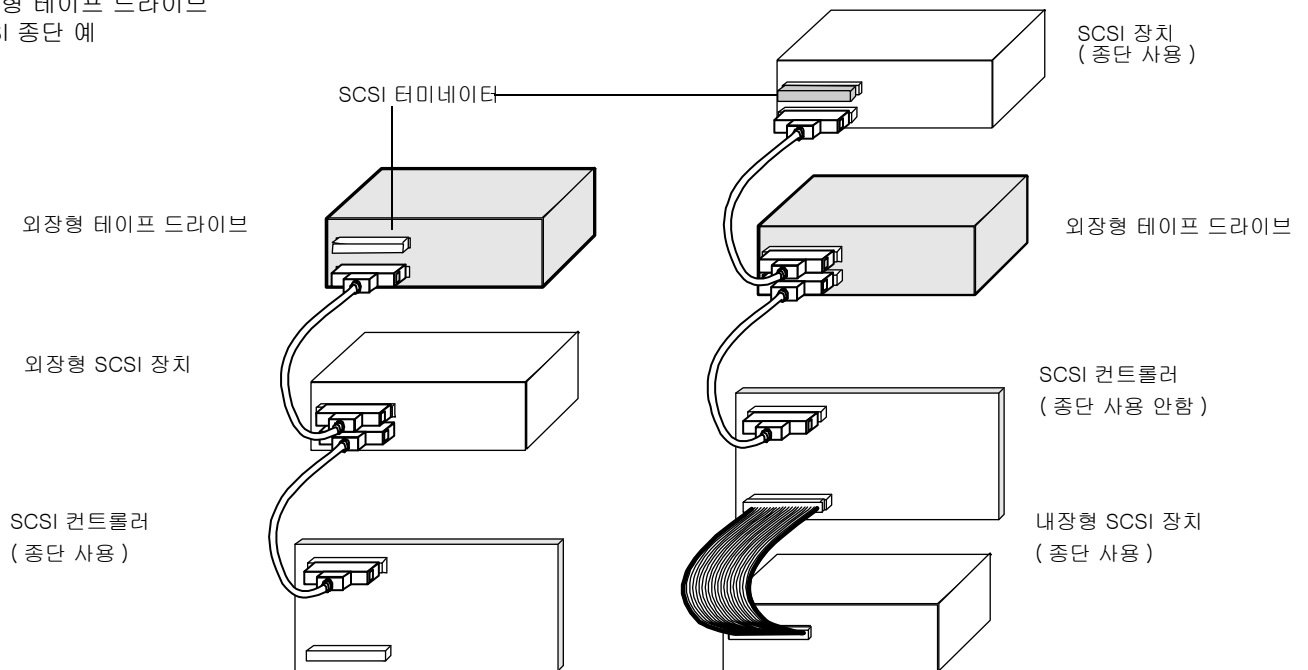
- 2 탁상형 테이프 드라이브와 함께 포함된 내용물 외에도 다음 항목이 필요합니다.
  - 호스트 컴퓨터에서 올바르게 설치되고 구성된 SCSI 호스트 버스 어댑터
  - 컴퓨터에 협폭 SCSI 인터페이스가 있는 경우에는 50-68 핀 어댑터
  - 테이프 드라이브를 지원하는 백업 응용프로그램 소프트웨어. DDS-4 및 DAT 72 테이프 드라이브가 테스트된 최신 백업 소프트웨어 응용프로그램 목록은 [www.quantum.com/support](http://www.quantum.com/support) 웹 사이트를 방문하십시오.
- 3 드라이브의 기본 설정을 확인하고 필요한 경우 이를 변경합니다 (설정 정보 및 스위치 위치에 대한 자세한 내용은 CD-ROM의 사용 설명서 참조).
  - SCSI ID: 6
  - 패리티 검사: 사용
  - 터미네이터 전원: SCSI 버스로 공급
  - 데이터 압축: 사용
  - 미디어 인식 (DDS-4 드라이브만 해당): 사용
  - 전원 공급 자체 테스트: 사용
  - 호스트 운영 체제: Windows 98/Me/XP/NT/2000/2003 서버
  - SCSI 인터페이스 호환성 (DDS-4 드라이브만 해당): 광폭 SCSI
  - 공급자 ID: SEAGATE DAT
- 4 SCSI 인터페이스 케이블을 드라이브에 연결합니다. 커넥터 하나를 사용하여 드라이브를 호스트 컴퓨터 또는 다른 SCSI 장치에 연결할 수 있습니다.

그림 2 외장형 테이프 드라이브 사용 시 SCSI 종단 예



5 SCSI 종단 여부를 확인합니다.

그림 3 외장형 테이프 드라이브 사용 시 SCSI 종단 예



예 1: 외장형 SCSI 장치만 있는 시스템에서 SCSI 종단 .

예 2: 내 / 외장형 SCSI 장치가 모두 있는 시스템에서 SCSI 종단 .

- 전원 케이블을 테이프 드라이브의 뒷면에 있는 AC 전원 커넥터에 연결합니다. 전원 케이블의 다른 한쪽을 사용 가능한 AC 콘센트에 연결합니다.
- 컴퓨터를 켜고 테이프 드라이브를 켜 후 테이프 드라이브가 올바르게 동작하는지 확인합니다.
- 테이프 드라이브를 등록하려면 <http://www.quantum.com/registration> 을 방문합니다.

**USB 커넥터로 탁상형 테이프 드라이브 설치**

USB 커넥터로 탁상형 테이프 드라이브를 설치하려면,

- 드라이브 패키지의 내용물을 꺼냅니다. 품목이 손상되었으면 즉시 구입처에 연락하십시오.



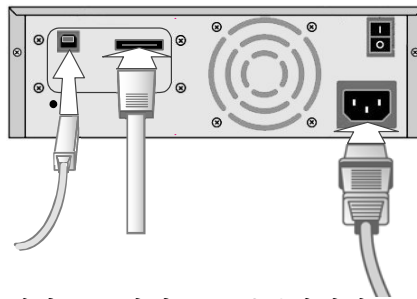
그림 4 외장형 드라이브



- 2 탁상형 테이프 드라이브와 함께 포함된 내용물 외에도 다음 항목이 필요합니다.
  - USB 또는 eSATA 케이블
- 3 USB 또는 eSATA 케이블을 테이프 드라이브 및 컴퓨터의 USB 또는 eSATA 포트에 연결합니다.

**주 : USB 테이프 드라이브만 해당** - 최적의 성능을 위해서는 USB 테이프 드라이브를 USB 2.0 포트에 연결하고 루트 허브에 하나만 연결해야 합니다.

그림 5 케이블 연결 — USB/ eSata 테이프 드라이브



- 4 테이프 드라이브를 등록하려면 <http://www.quantum.com/registration> 을 방문합니다.

## 내장형 테이프 드라이브

### 주요 안전 수칙

내장형 테이프 드라이브에는 정전기 방전 (ESD) 으로 인해 손상되는 매우 민감한 구성요소가 있습니다. 드라이브가 ESD 로 손상될 수 있으므로, 드라이브를 주의해서 다루십시오. 드라이브를 다루기 전에 드라이브 손상 방지를 위해 ESD 지침 사항을 숙지하십시오.

- 드라이브 작업을 할 때 ESD 방지용 접지 손목 스트랩을 착용하거나 유사한 ESD 주의 사항을 준수하십시오. 손목 스트랩이 적절하게 피부에 닿도록 하십시오. 드라이브 작업을 마칠 때까지 손목 스트랩을 떼지 마십시오.
- 드라이브, 다른 장치 그리고 옷이 서로 닿지 않도록 하십시오. 손목 스트랩은 몸에 있는 ESD 전압에 의해 장치가 손상되는 것을 방지할 뿐이며, 옷에 있는 ESD 전압은 여전히 손상을 일으킬 수 있습니다.
- 드라이브를 사용하지 않을 때에는 정전기 방지용 백에 담아서 보관합니다.

- 정전기 방지용 백에서 드라이브를 꺼내기 전에 인체에서 생성되었을 수 있는 정전기가 방전될 수 있도록 금속이나 접지된 물체의 표면을 만지십시오.
- 드라이브의 모서리만 잡으십시오. 인쇄된 회로판의 노출 부분을 만지지 않도록 하십시오.
- 드라이브가 정전기로 인해 손상되지 않도록 정전기 방지용 백의 위에 놓거나 백 안에 두십시오.

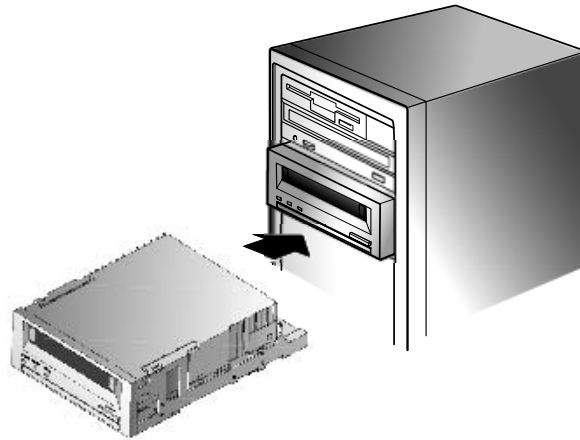
## SCSI 커넥터로 내장형 테이프 드라이브 설치

SCSI 커넥터로 내장형 테이프 드라이브를 설치하려면,

- 1 드라이브 패키지의 내용물을 꺼냅니다. 품목이 손상되었으면 즉시 구입처에 연락하십시오.
- 2 내장형 테이프 드라이브와 동봉된 품목 외에 다음과 같은 것들이 필요합니다.
  - 호스트 컴퓨터에서 올바르게 설치되고 구성된 SCSI 호스트 버스 어댑터 (SCSI 드라이브용)
  - 3.5 인치 또는 5.25 인치 절반 높이 베이
  - SCSI 리본 케이블
  - 테이프 드라이브를 지원하는 백업 응용프로그램 소프트웨어. 내장형 DDS-4 및 DAT 72 테이프 드라이브로 테스트한 최신 백업 소프트웨어 응용프로그램 목록은 [www.quantum.com/support](http://www.quantum.com/support) 웹 사이트를 방문하십시오.
- 3 설치를 진행하기 전에 내장형 테이프 드라이브를 컴퓨터 장착 베이에 설치하는 데 필요한 도구를 준비합니다. 다음 목록에는 필요한 몇 가지 도구가 정리되어 있습니다.
  - Phillips 스크루 드라이버
  - 컴퓨터에 일자형 나사가 사용된 경우 일자 드라이버
  - 컴퓨터에 TORX 나사가 사용된 경우에는 TORX 드라이버
  - 설치 중에 참조할 수 있는 컴퓨터 관련 설명서
 설치 방식에 따라 추가 품목이 필요할 수 있습니다.
- 4 드라이브의 기본 설정을 확인하고 필요한 경우 이를 변경합니다 (설정에 대한 자세한 내용은 CD-ROM의 사용 설명서를 참조).
  - 패리티 검사: 사용
  - 터미네이터 전원: SCSI 버스로 공급
  - 데이터 압축: 사용
  - 미디어 인식 (DDS-4 드라이브만 해당): 사용
  - 전원 공급 자체 테스트: 사용
  - 공급자 ID: SEAGATE DAT
  - 호스트 운영 체제: Windows 98, Windows Me, Windows XP, Windows NT, Windows 2000/2003 Server
  - SCSI ID: 6
  - SCSI 인터페이스 호환성 (DDS-4 드라이브만 해당)
  - 광폭 SCSI



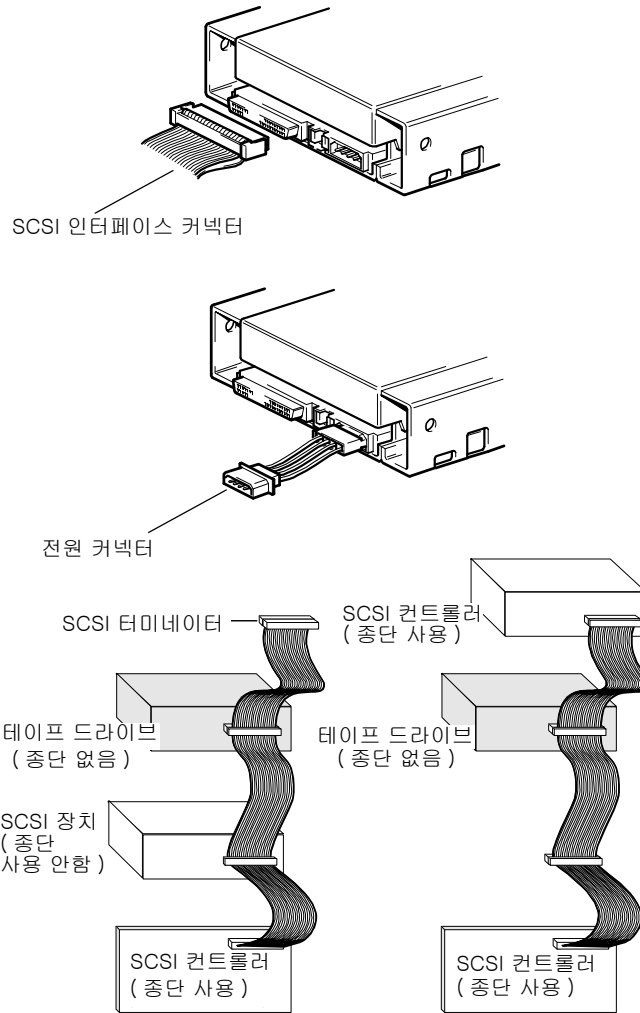
그림 7 내장형 테이프  
드라이브 장착



- 5 컴퓨터를 끄고 컴퓨터 덮개 및 전원 코드를 분리하고 드라이브용 장착 베이를 선택합니다. 드라이브에 따라, 3.5 인치 또는 5.25 인치 베이를 선택합니다.
- 6 드라이브를 베이에 장착하고 제공된 나사로 고정합니다.
- 7 데이터 및 전원 커넥터 설치
  - a SCSI 인터페이스 케이블을 드라이브에 연결합니다.  
내장형 테이프 드라이브는 저전압 차등 (LVD) 또는 싱글 엔드 (16 비트 광폭 모드)의 광폭 SCSI 인터페이스와 함께 사용할 수 있습니다. 테이프 드라이브가 자동으로 SCSI 버스가 LVD 인지 또는 싱글 엔드인지를 감지합니다. 내장형 테이프 드라이브가 SCSI 버스의 마지막 장치가 아님을 확인하십시오 (드라이브가 SCSI 종단을 제공하지 않음). SCSI 버스는 적절하게 종단되어야 합니다.
  - b 컴퓨터의 내부 전원의 4 핀 전원 케이블을 내장형 테이프 드라이브 뒷면의 전원 커넥터에 연결합니다.



그림 8 SCSI 종단 내장형 드라이브



- 9 컴퓨터 덮개를 켜고 전원 케이블을 연결한 후 컴퓨터를 켜십시오. 내장형 테이프 드라이브가 올바르게 작동하는지 확인합니다.
- 10 테이프 드라이브를 등록하려면 <http://www.quantum.com/registration> 을 방문합니다.

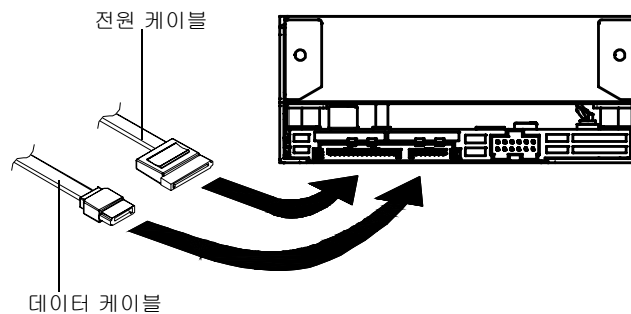
**SATA 커넥터로 내장형 테이프 드라이브 설치**

SATA 커넥터로 내장형 테이프 드라이브를 설치하려면,

- 1 드라이브 패키지의 내용물을 꺼냅니다. 품목이 손상되었으면 즉시 구입처에 연락하십시오.
- 2 내장형 테이프 드라이브와 동봉된 품목 외에 다음과 같은 것들이 필요합니다.
  - 호스트 컴퓨터에서 올바르게 설치되고 구성된 SATA 호스트 버스 어댑터 (SATA 드라이브용)
  - 3.5 인치 또는 5.25 인치 절반 높이 베이
  - SATA 데이터 케이블

- 테이프 드라이브를 지원하는 백업 응용프로그램 소프트웨어 . 내장형 DDS-4 및 DAT 72 테이프 드라이브가 테스트된 최신 백업 소프트웨어 응용프로그램 목록은 [www.quantum.com/support](http://www.quantum.com/support) 웹 사이트를 방문하십시오 .
- 3 설치를 진행하기 전에 내장형 테이프 드라이브를 컴퓨터 장착 베이에 설치하는 데 필요한 도구를 준비합니다 . 다음 목록에는 필요한 몇 가지 도구가 정리되어 있습니다 .
    - Phillips 스크루 드라이버
    - 컴퓨터에 일자형 나사가 사용된 경우 일자 드라이버
    - 컴퓨터에 TORX 나사가 사용된 경우에는 TORX 드라이버
    - 설치 중에 참조할 수 있는 컴퓨터 관련 설명서
  - 4 컴퓨터를 끄고 컴퓨터 덮개 및 전원 코드를 분리하고 드라이브용 장착 베이를 선택합니다 . 드라이브에 따라 , 3.5 인치 또는 5.25 인치 베이를 선택합니다 .
  - 5 드라이브를 베이에 장착하고 제공된 나사로 고정합니다 .
  - 6 데이터 및 전원 커넥터 설치
    - a SATA 데이터 케이블의 한쪽을 드라이브의 SATA 데이터 커넥터에 연결합니다 .
    - b SATA 데이터 케이블의 다른 한쪽을 SATA 카드 또는 메인보드의 SATA 커넥터에 연결합니다 .
    - c SATA 전원 변환 어댑터 케이블의 한쪽을 컴퓨터의 내부 전원의 4 핀 전원 케이블에 연결합니다 .
    - d 어댑터 케이블의 다른 한쪽을 드라이브에 연결합니다 .

그림 9 SATA 연결



- 7 SATA 데이터 케이블 및 SATA-USB 어댑터를 사용해야 합니다 . 어댑터와 함께 제공된 *SATA-to-USB Adapter Installation Guide* 의 설치 지침을 따르십시오 .
- 8 컴퓨터 덮개를 켜고 전원 케이블을 연결한 후 컴퓨터를 켜십시오 . 내장형 테이프 드라이브가 올바르게 작동하는지 확인합니다 .
- 9 테이프 드라이브를 등록하려면 <http://www.quantum.com/registration> 을 방문합니다 .



## 안전 수칙 준수

DDS-4/DAT 72 드라이브는 표시된 국가의 다음 규정 조직 및 코드의 안전 수칙을 준수합니다.

국가	규정 조직	준수 기준 :
캐나다	CSA(Canadian Standards Association)	UL/CSA 60950-1
EU 회원국	Comité Européen de Normalisation Electrotechnique( 유럽전기표준화위원회 : CENELEC)	EN 60950-1, 1st edition
IECEE* 회원국	IECEE* 전기 장치 "CB Scheme" 테스트 인증서의 상호 인지를 위한 IECEE(International Electrotechnical Commission on Electrical Equipment)	CB Scheme per IEC 60950-1, 각 회원국의 상세 정보 및 예외 사항 포함
이스라엘	SII	CB Scheme
멕시코	NOM(Normas Oficiales Mexicanas), UL 과 유사함	NOM 표준
싱가폴	PSB(Productivity and Standards Board)	PSB 안전 인증 CB Scheme
남아프리카	SABS	CB Scheme
한국	MIC	CB Scheme
대만	BSMI	BSMI 인증 , CNS 14336
미국	CSA(Canadian Standards Association)	UL/CSA 60950-1

\* IECEE 회원국은 아르헨티나, 오스트리아, 호주, 벨기에, 브라질, 캐나다, 중국, 체코, 덴마크, 핀란드, 프랑스, 독일, 헝가리, 인도, 아일랜드, 이스라엘, 이탈리아, 일본, 한국, 몬테네그로, 네덜란드, 노르웨이, 폴란드, 러시아, 세르비아, 싱가포르, 슬로바키아, 슬로베니아, 남아프리카, 스페인, 스위스, 터키, 영국, 미국입니다.

## 전자기 호환성 (EMC)

DDS-4/DAT 72 드라이브는 표시된 국가의 다음 규정 조직 및 코드의 EMC 를 준수합니다.

국가	규정 조직	준수 기준 :
호주	Standards Australia Spectrum Management "C-Tick"	AS/NZS 3548(CISPR 22 와 동일 )
캐나다	Industry Canada Digital Apparatus - Interference-Causing Equipment Standard(ICES-003)	ICES-003 Digital Apparatus
EU 회원국	CE	EN55022, CISPR 22 당 방사 및 EN55024, CISPR 24 당 내성
이스라엘	SII	CISPR-22, Class B, CISPR-24
일본	VCCI(Voluntary Control Council for Interface)	이것은 자발적인 준수 표준이며 , 드라이브는 CE/EMC 준수를 통해 이 표준을 충족시킵니다 .
뉴질랜드	Standards Australia Spectrum Management "C-Tick"	AS/NZS 3548(CISPR 22 와 동일 )
러시아	GOSSTANDART(GOST)	CISPR-22, Class B, CISPR-24
한국	MIC	CISPR 22 및 24
대만	BSMI( 상품조사검역부 )	BSMI EMC 인증 , CNS 14338
미국	FCC(Federal Communications Commission)	제목 47: Code of Federal Regulations, Part 15, Subpart B(47CFR15B),

**주 :** Underwriters Laboratories Inc. 또는 북미 지역의 CSA(Canadian Standards Association) 와 같은 해당 인증 기관에서 함께 사용하는 것이 적합하다고 판단한 장비에만 이러한 드라이브를 사용하십시오 .

또한 다음 안전 사항을 고려하십시오 .

- 실제 부품에 대한 사용자의 액세스를 제한하는 인클로저에 드라이브를 설치하고 시스템을 적절하게 안정시키고 드라이브에 필요한 접지를 제공합니다 .
- 적용되는 규정에 기반하여 올바른 전압(+ 5 VDC 및 + 12 VDC) 을 제공합니다 .—UL 및 CSA 의 추가 저전압 (SEC) 및 VDE 의 ( 해당되는 경우 ) 안전 추가 저전압 규정이 적용됩니다 .



지원을 요청하시려면 Quantum 기술 지원 센터로 연락하십시오 .

북미 지역 : **+1-800-284-5101**  
 영국 , 프랑스 및 독일 : **00800 4 QUANTUM**  
 EMEA: **+44 1256 848 766**

전세계 지원 : [www.quantum.com/contactsupport](http://www.quantum.com/contactsupport)

# Quantum®

백업 . 복구 . 보관 . Quantum 이 제공하는 솔루션입니다 .

©2006 Quantum corporation. 모든 권리 소유 . Quantum, Quantum 로고 및 기타 모든 로고는 Quantum Corporation 또는 각 해당사의 등록 상표입니다 .

Quantum 822

Quantum Corp.( 나스닥 상장 : DSS) 은 백업 , 복구 및 보관 부문을 전문으로 전세계를 주도하는 스토리지 회사입니다 . Quantum 은 주력화된 전문 기술 , 고객 중심의 기술 혁신 그리고 플랫폼 독립성을 결합하여 세계적인 판매 및 서비스 조직이 지원하는 포괄적인 디스크 , 테이프 , 미디어 및 소프트웨어 솔루션을 제공합니다 . Quantum 은 오래 지속되고 신뢰를 쌓은 파트너로서 , 광범위한 판매업체 , OEM 및 기타 공급업체의 광범위한 네트워크와 긴밀하게 협력하여 고객의 늘어나는 데이터 보호 필요성을 충족시킵니다 .

# 桌面和内置磁带机 安装说明

## 恭喜您！

您购买了目前最优秀、最值得信赖的数字式数据存储（DDS）磁带机。DDS-4（型号 STD2401LW 和 STD6402W）和 DAT 72（型号 CD72LWH、CD72LWE、CD72SE 和 CD72SH）磁带机代表着 Quantum 公司致力于研制采用尖端技术的可靠耐用磁带机产品方面一贯的承诺，适用于各种需要高性能、大容量数据存储的计算环境，DDS-4 和 DAT 72 磁带机基于 3.5 英寸机制并提供内置、桌面和机架安装形式的磁带机。这些磁带机将业已成熟的数字音频磁带（DAT）技术、高密度记录以及硬件数据压缩功能与 Quantum 经验证的计算机级设计相结合，在 DDS 产品领域提供了无与伦比的可靠性和性能特性。

## 目录

- 用 SCSI 连接器安装桌面  
磁带机 ..... 68
- 用 USB 连接器安装桌面  
磁带机 ..... 69
- 用 SCSI 连接器安装内置  
磁带机 ..... 71
- 用 SATA 连接器安装内置  
磁带机 ..... 74
- 安全法规 ..... 76
- 电磁兼容性 (EMC) ..... 77
- 法语 ..... 12
- 德语 ..... 23
- 西班牙语 ..... 34
- 日语 ..... 45
- 韩语 ..... 56
- 简体中文 ..... 67
- 繁体中文 ..... 78

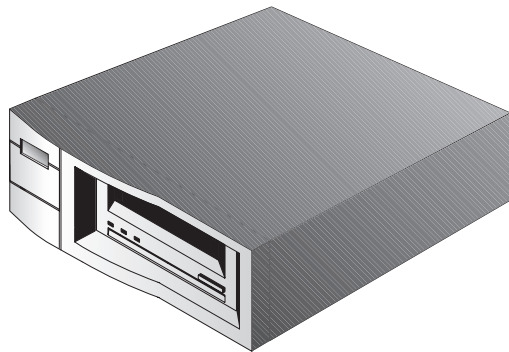
## 桌面磁带机

### 用 SCSI 连接器安装桌面磁带机

要用 SCSI 连接器安装桌面磁带机：

- 1 打开磁带机包装箱。如果有受损的物品，请立即联系购买地点。

图 1 外置磁带机



- 2 除了桌面磁带机包括的物品，还需要以下物品：

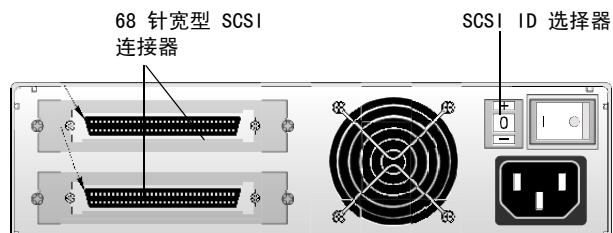
- 主机中正确安装并配置的 SCSI 主机总线适配器。
- 50 转 68 针适配器（如果计算机配有窄型 SCSI 接口连接器）。
- 支持磁带机的备份应用程序软件。有关最新通过测试的 DDS-4 和 DAT 72 磁带机备份软件应用程序的列表，请访问 Web 站点 [www.quantum.com/support](http://www.quantum.com/support)。

- 3 检查磁带机的默认设置并根据需要进行更改：（有关详细的设置信息和开关位置，请参阅 CD-ROM 上的用户指南。）

- SCSI ID: 6
- 奇偶校验: 已启用
- 端接器电源: 提供给 SCSI 总线
- 数据压缩: 已启用
- 介质识别（仅限 DDS-4 磁带机）: 已启用
- 通电自检: 已启用
- 主机操作系统: Windows 98/Me/XP/NT/2000/2003 Server
- SCSI 接口兼容性（仅限 DDS-4 磁带机）: 宽型 SCSI
- 供应商 ID: SEAGATE DAT

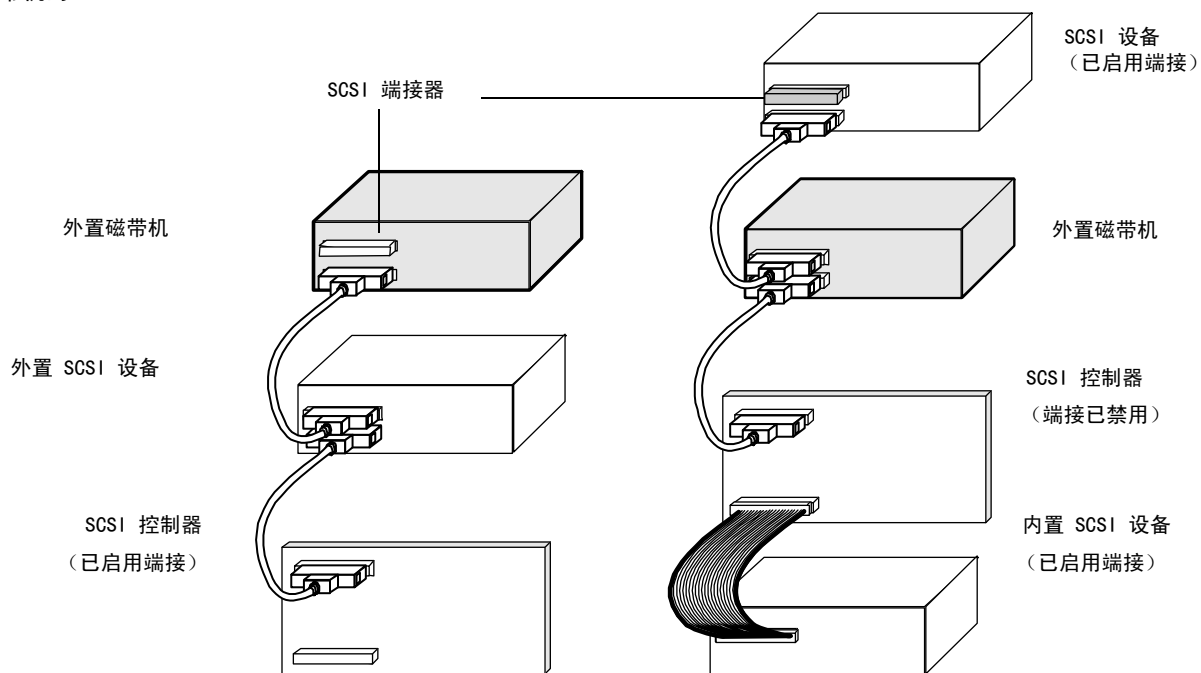
- 4 将 SCSI 接口线缆与磁带机相连。可以使用任意一端连接器将磁带机连接到主机或连接到另一个 SCSI 设备。

图 2 外置磁带机的 SCSI 端接实例



5 检查 SCSI 端接。

图 3 外置磁带机的 SCSI 端接实例



实例 1: 在只有外置 SCSI 设备的系统中的 SCSI 端接。

实例 2: 在既有内置也有外置 SCSI 设备的系统中的 SCSI 端接。

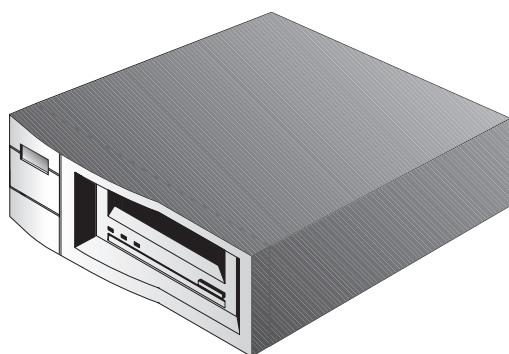
- 6 将电源线连接到磁带机后面的交流电源连接器。将电源线的另一端连接到工作交流插座。
- 7 打开计算机，打开磁带机，并验证磁带机是否运行正常。
- 8 在 <http://www.quantum.com/registration> 上注册磁带机。

### 用 USB 连接器安装桌面磁带机

要用 USB 连接器安装桌面磁带机：

- 1 打开磁带机包装箱。如果有受损的物品，请立即联系购买地点。

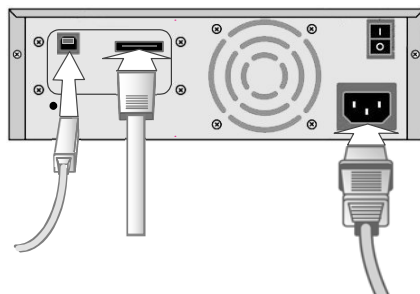
图 4 外置磁带机



- 除了桌面磁带机包括的物品，还需要以下物品：
  - USB 或 eSATA 线缆
- 将 USB 或 eSATA 线缆连接到磁带机以及计算机上的 USB 或 eSATA 端口。

**注意：** 仅限 USB 磁带机 — 为实现最佳性能，应将 USB 磁带机连接到 USB 2.0 端口，并且应是 root hub 上唯一的设备。

图 5 连接线缆 — USB/eSata 磁带机



- 在 <http://www.quantum.com/registration> 上注册磁带机。

## 内置磁带机

### 重要安全预防措施

内置磁带机具有非常敏感的组件，容易受到静电（ESD）损坏。处理磁带机时应特别小心，因为它会被静电放电损坏。处理磁带机前，应阅读静电放电说明以避免给磁带机造成损坏。

- 操作磁带机时应佩戴防静电接地腕带或采取相应的防静电措施。确保腕带与皮肤接触良好。在完成工作前，请勿取下腕带。
- 避免磁带机与其它设备和衣物的接触。腕带只防止身体上的静电对设备造成损坏；衣物上的静电压仍然会造成损坏。
- 磁带机不使用时，应置于抗静电袋中。
- 从抗静电袋中取出磁带机前，触摸一下金属或接地表面以释放身体上所带的静电荷。

- 仅抓住磁带机边缘。避免接触印刷电路板上的任何暴露部分。
- 将磁带机始终放在抗静电袋上部或里面以减少静电损坏的机会。

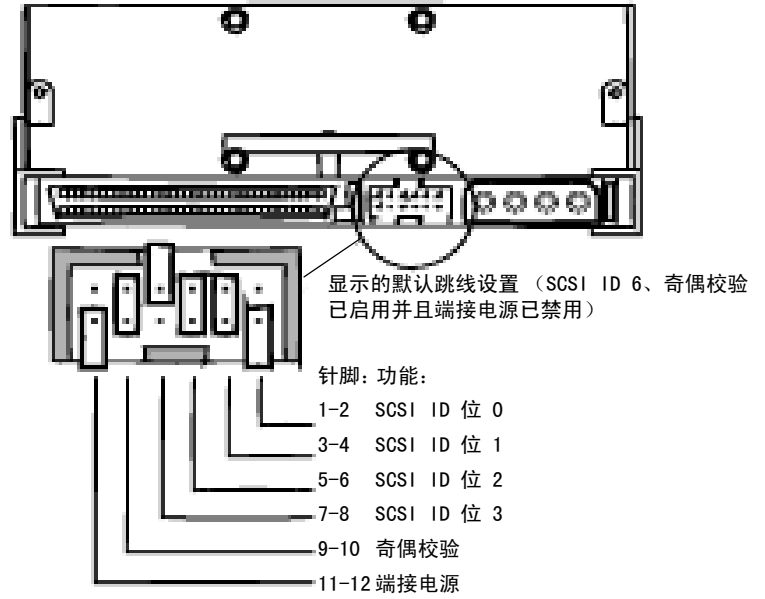
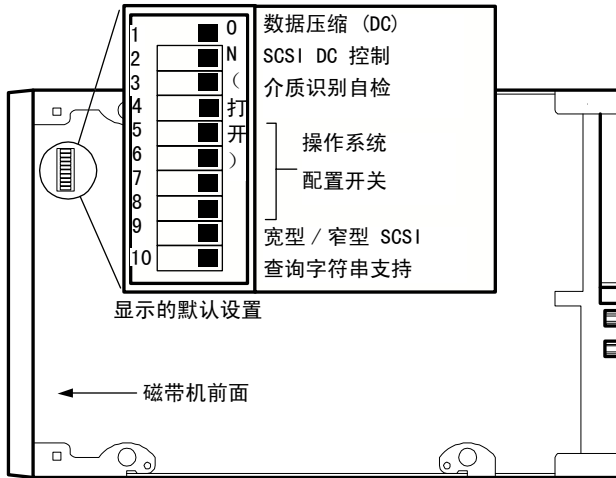
## 用 SCSI 连接器安装内置磁带机

要用 SCSI 连接器安装内置磁带机：

- 1 打开磁带机包装箱。如果有受损的物品，请立即联系购买地点。
- 2 除了磁带机包括的物品，还需要以下物品：
  - 主机中正确安装并配置的 SCSI 主机总线适配器（用于 SCSI 磁带机）。
  - 3.5 英寸或 5.25 英寸半高机架
  - SCSI 带状电缆
  - 支持磁带机的备份应用程序软件。有关最新通过测试的 DDS-4 和 DAT 72 内置磁带机备份软件应用程序的列表，请访问 Web 站点 [www.quantum.com/support](http://www.quantum.com/support)。
- 3 安装前，收集将内置磁带机装入计算机安装机架所需的工具。以下列表指出了将会用到的一些工具：
  - PHILLIPS 螺丝刀
  - 如果计算机使用平头螺丝，则需要平头螺丝刀
  - 如果计算机使用 TORX 螺丝，则需要 TORX 螺丝刀
  - 计算机文档资料，可以在安装期间参阅

根据安装需要，可能还需要其它物品。
- 4 检查磁带机的默认设置并根据需要进行更改：（有关详细的设置信息，请参阅 CD-ROM 上的用户指南。）
  - 奇偶校验：已启用
  - 端接器电源：提供给 SCSI 总线
  - 数据压缩：已启用
  - 介质识别（仅限 DDS-4 磁带机）：已启用
  - 通电自检：已启用
  - 供应商 ID：SEAGATE DAT
  - 主机操作系统：Windows 98, Windows Me, Windows XP, Windows NT, Windows 2000/2003 Server
  - SCSI ID：6
  - SCSI 接口兼容性（仅限 DDS-4 磁带机）：
  - 宽型 SCSI

图 6 内置跳线和 开关设置

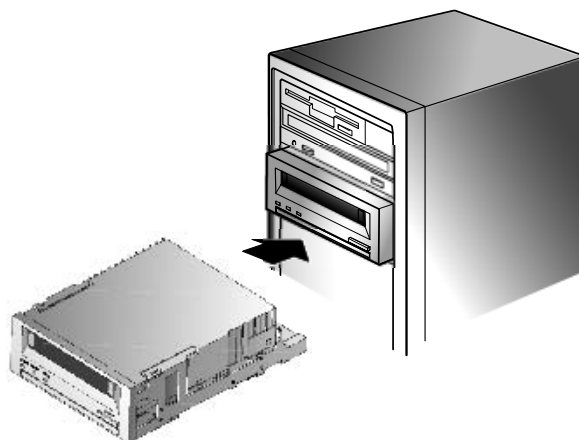


SCSI ID=0	■	■	■	■
SCSI ID=1	■	■	■	■
SCSI ID=2	■	■	■	■
SCSI ID=3	■	■	■	■
SCSI ID=4	■	■	■	■
SCSI ID=5	■	■	■	■
SCSI ID=6	■	■	■	■
SCSI ID=7	■	■	■	■

SCSI ID=8	■	■	■	■
SCSI ID=9	■	■	■	■
SCSI ID=10	■	■	■	■
SCSI ID=11	■	■	■	■
SCSI ID=12	■	■	■	■
SCSI ID=13	■	■	■	■
SCSI ID=14	■	■	■	■
SCSI ID=15	■	■	■	■
奇偶校验启用	■	■	■	■
端接电源	■	■	■	■



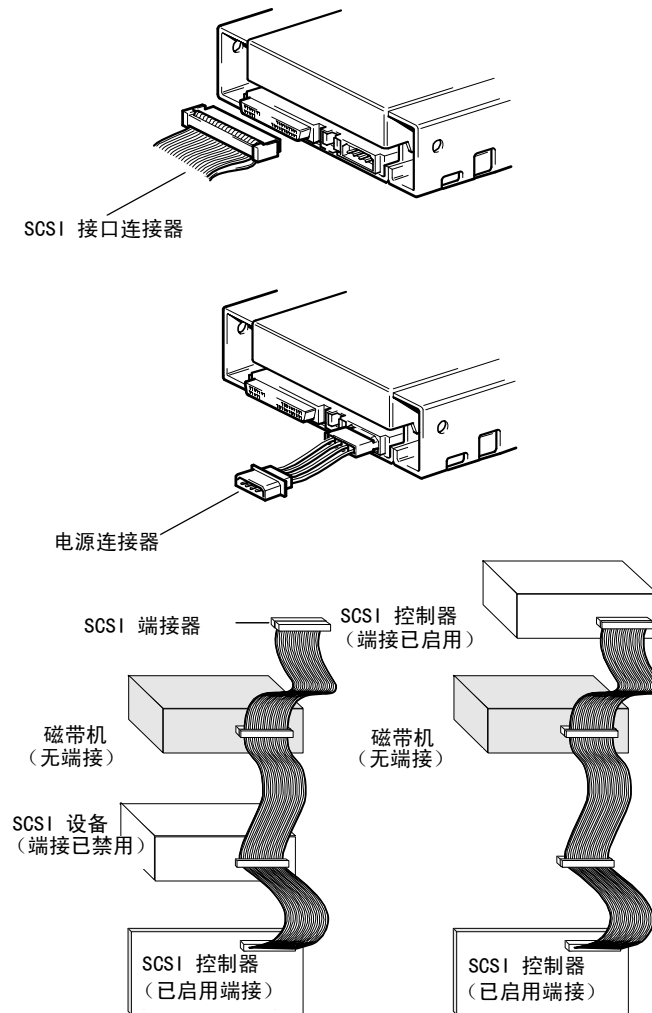
图 7 安装内置磁带机



- 5 关闭计算机，卸下机盖和电源线，并选择磁带机的安装机架。根据磁带机，选择 3.5 英寸或 5.25 英寸机架。
- 6 将磁带机装入机架中并使用提供的螺丝固定。
- 7 安装数据和电源连接器：
  - a 将 SCSI 接口线缆与磁带机相连。

内置磁带机可以使用宽型 SCSI 接口，既可以是低压差分 (LVD) 也可以是单端 (16 位宽型模式)。磁带机会自动检测 SCSI 总线是 LVD 还是单端。应确保内置磁带机不是 SCSI 总线上的最后一个设备 (磁带机没有提供端接)；SCSI 总线必须正确端接。
  - b 将 4 插针电源线从计算机内置电源连接到内置磁带机后面的电源连接器上。

图 8 SCSI 端接  
内置磁带机



- 9 装上计算机机盖和电源线，打开计算机并验证内置磁带机是否运行正常。
- 10 在 <http://www.quantum.com/registration> 上注册磁带机。

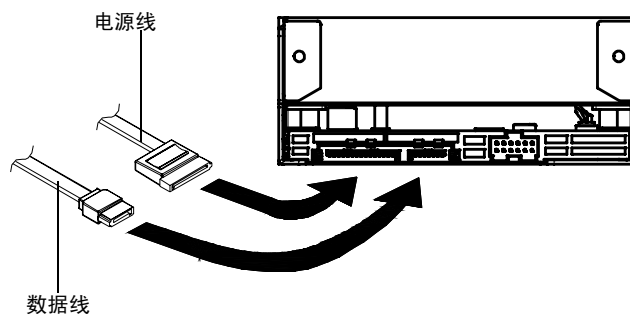
### 用 SATA 连接器安装内置 磁带机

要用 SATA 连接器安装内置磁带机：

- 1 打开磁带机包装箱。如果有受损的物品，请立即联系购买地点。
- 2 除了磁带机包括的物品，还需要以下物品：
  - 主机中正确安装并配置的 SATA 主机总线适配器（用于 SATA 磁带机）。
  - 3.5 英寸或 5.25 英寸半高机架
  - SATA 数据线缆
  - 支持磁带机的备份应用程序软件。有关最新通过测试的 DDS-4 和 DAT 72 内置磁带机备份软件应用程序的列表，请访问 Web 站点 [www.quantum.com/support](http://www.quantum.com/support)。

- 3 安装前，收集将内置磁带机装入计算机安装机架所需的工具。以下列表指出了将会用到的一些工具：
  - PHILLIPS 螺丝刀
  - 如果计算机使用平头螺丝，则需要平头螺丝刀
  - 如果计算机使用 TORX 螺丝，则需要 TORX 螺丝刀
  - 计算机文档资料，可以在安装期间参阅
- 4 关闭计算机，卸下机盖和电源线，并选择磁带机的安装机架。根据磁带机，选择 3.5 英寸或 5.25 英寸机架。
- 5 将磁带机装入机架中并使用提供的螺丝固定。
- 6 安装数据和电源连接器：
  - a 将 SATA 数据线的一端连接到磁带机上的 SATA 数据连接器。
  - b 将 SATA 数据线的另一端连接到 SATA 卡或主板 SATA 连接器上的 SATA 数据连接器。
  - c 将 SATA 电源转换适配器线的一端连接到计算机内置电源的 4 插针电源线上。
  - d 将适配器线的另一端连接到磁带机。

图 9 SATA 连接



- 7 必须使用 SATA 数据线缆和 SATA 转 USB 适配器。请遵照适配器随附的《SATA 转 USB 适配器安装指南》中的安装说明。
- 8 装上计算机机盖和电源线，打开计算机并验证内置磁带机是否运行正常。
- 9 在 <http://www.quantum.com/registration> 上注册磁带机。

## 安全法规

DDS-4/DAT 72 磁带机遵守以下国家 / 地区管理机构的法规和规定。

国家 / 地区	管理机构	符合:
加拿大	Canadian Standards Association (CSA)	UL/CSA 60950-1
欧盟成员国	Comité Européen de Normalisation Electrotechnique - the European Committee for Electrotechnical Standardization (CENELEC)	EN 60950-1, 第 1 版
IECEE* 成员国	IECEE* International Electrotechnical Commission on Electrical Equipment (IECEE) for Mutual Recognition of Test Certificates for Electrical Equipment "CB Scheme"	根据 IEC 60950-1 执行 CB Scheme, 各成员国分别有具体规定和例外
以色列	SII	CB Scheme
墨西哥	Normas Oficiales Mexicanas (NOM), 类似于 UL	NOM 标准
新加坡	Productivity and Standards Board (PSB)	PSB 安全认证 CB Scheme
南非	SABS	CB Scheme
韩国	MIC	CB Scheme
中国台湾	BSMI	BSMI 认证, CNS 14336
美国	Canadian Standards Association (CSA)	UL/CSA 60950-1

\* IECEE 成员国包括: 阿根廷、奥地利、澳大利亚、比利时、巴西、加拿大、中国、捷克共和国、丹麦、芬兰、法国、德国、匈牙利、印度、爱尔兰、以色列、意大利、日本、韩国、门的内哥罗、荷兰、挪威、波兰、俄罗斯、塞尔维亚、新加坡、斯洛伐克、南非、西班牙、瑞士、土耳其、英国、美国。

## 电磁兼容性 (EMC)

DDS-4/DAT 72 磁带机遵守以下国家 / 地区管理机构的 EMC 法规和规定。

国家 / 地区	管理机构	符合:
Australia	Standards Australia Spectrum Management “C-Tick”	AS/NZS 3548 (与 CISPR 22 一样)
加拿大	Industry Canada Digital Apparatus - Interference- Causing Equipment Standard (ICES-003)	ICES-003 Digital Apparatus
欧盟成员国	CE	辐射依据 CISPR 22, EN55022, 抗干扰依 据 CISPR 24, EN55024
以色列	SII	CISPR-22, Class B, <b>CISPR-24</b>
日本	Voluntary Control Council for Interface (VCCI)	这是一个自愿性质的兼容标准; 磁带机依 据 CE/EMC 来遵守
新西兰	Standards Australia Spectrum Management “C-Tick”	AS/NZS 3548 (与 CISPR 22 一样)
俄国	GOSSTANDART (GOST)	CISPR-22, Class B, <b>CISPR-24</b>
韩国	MIC	CISPR 22 和 24
中国台湾	Bureau of Commodity Inspection and Quarantine (BSMI)	BSMI EMC 认证, <b>CNS 14338</b>
美国	Federal Communications Commission (FCC)	第 47 款: 联邦行政法规, 第 15 节, B 小节 (47CFR15B),

**注意:** 请只在经过相应认证机构 (例如, 北美地区为 Underwriters Laboratories Inc. 或 Canadian Standards Association) 确认为合格的设备中使用这些磁带机。

还应谨记以下安全要点:

- 将磁带机安装在用户不容易轻易触及运行部件的机箱中, 保证系统足够稳固, 并提供相应的磁带机接地。
- 根据规定使用正确电压 (+5 V 直流电压和 +12 V 直流电压) —UL 和 CSA 超低电压 (SEC), 以及 BSI 和 VDE 安全超低电压 (如果适用)。



如需帮助, 请联系 Quantum 技术帮助中心:

北美 **+1-800-284-5101**  
英国、法国和德国 **00800 4 QUANTUM**  
EMEA **+44 1256 848 766**

有关全球范围的支持: [www.quantum.com/contactsupport](http://www.quantum.com/contactsupport)

# Quantum®

备份、恢复、归档。这就是我们的工作。

©2006 Quantum 公司。保留所有权利。Quantum、Quantum 徽标和所有其它徽标是 Quantum 公司或其他相应所有者的注册商标。

Quantum

Quantum 公司 (NYSE: DSS) 是专业于备份、恢复和归档的全球领先存储公司。融专业技能、客户为导向的创新以及平台独立性于一身, Quantum 提高广泛全面的磁盘、磁带、介质和软件解决方案, 并凭借世界一流的销售和服务队伍提供全力支持。作为一家长期可信的合作伙伴, 公司与庞大的转销商、OEM 和供应商网络密切合作, 满足客户不断发展的数据保护需求。

# 桌上型和內接式磁帶機 安裝說明

## 恭喜！

您購買了最精緻、最可靠的數位資料儲存 (DDS) 磁帶機。DDS-4 (型號 STD2401LW 和 STD6402W) 以及 DAT 72 (型號 CD72LWH、CD72LWE、CD72SE 和 CD72SH) 磁帶機代表了 Quantum 對於可靠的工程設計與耐用的磁帶機產品所做的承諾，這些產品採用了專為高效能、高容量的資料儲存需求之電腦環境而設計的先進技術，DDS-4 和 DAT 72 磁帶機採用 3.5 英吋的機構，且有內接式、桌上型和機架型三款磁帶機。這些磁帶機結合了成熟的「數位音訊磁帶」(DAT) 技術、高密度記錄和硬體資料壓縮功能與 Quantum 被認可的電腦級設計，在同類 DDS 產品中具有無與倫比的可靠性和效能特性。

## 目錄

- 安裝具有 SCSI 接頭的桌上型磁帶機 .....79
- 安裝具有 USB 接頭的桌上型磁帶機 .....80
- 安裝具有 SCSI 接頭的內接式磁帶機 .....82
- 安裝具有 SATA 接頭的內接式磁帶機 .....85
- 遵守安全 .....87
- 電磁兼容性 (EMC) .....88
- 法語 .....12
- 德語 .....23
- 西班牙語 .....34
- 日語 .....45
- 韓語 .....56
- 簡體中文 .....67
- 繁體中文 .....78

## 桌上型磁帶機

### 安裝具有 SCSI 接頭的 桌上型磁帶機

安裝具有 SCSI 接頭的桌上型磁帶機：

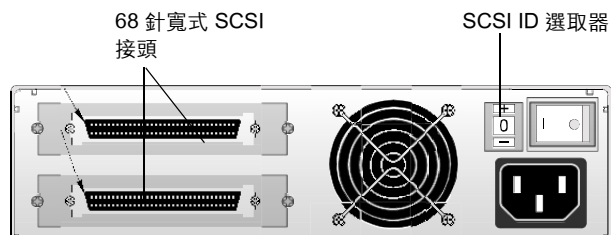
- 1 從磁帶機包裝盒中取出主機和配件。如果任何物品有損壞情形，請立即聯絡您的購買的店家。

圖 1 外接磁碟機



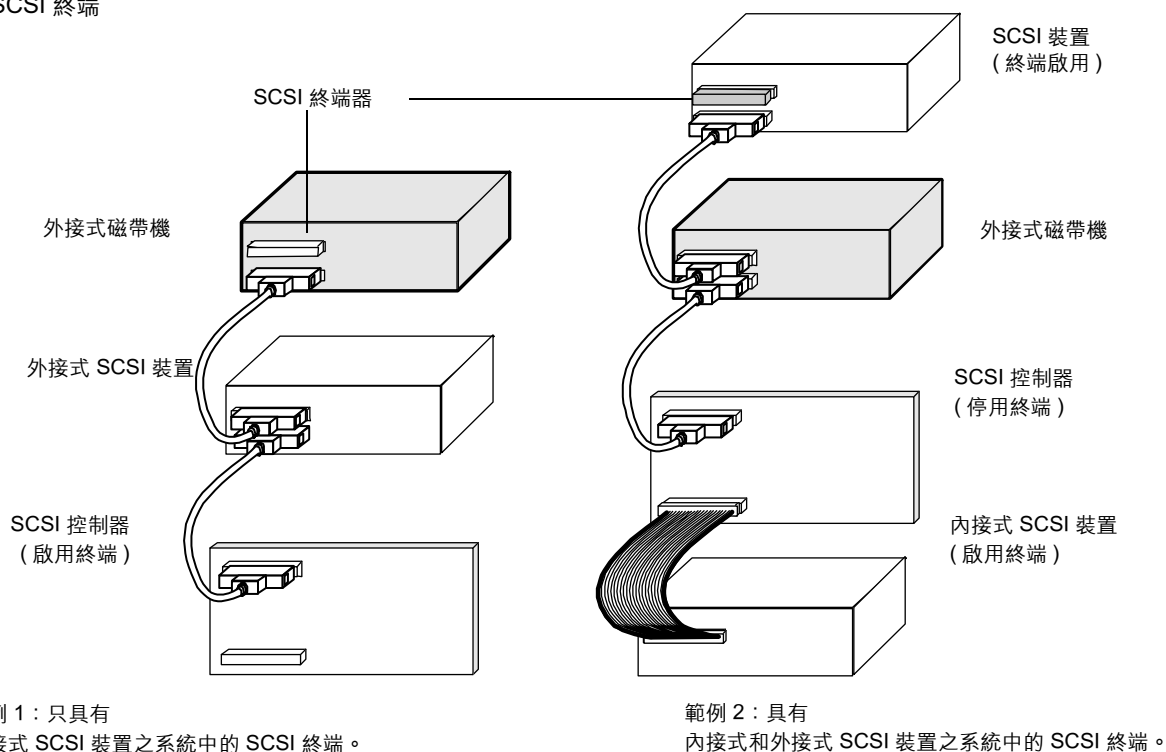
- 2 除了您的桌面式磁帶機所包含的配件內容之外，您還需要以下項目：
  - 一個已在電腦主機中安裝妥當且設定完成的 SCSI 主要匯流排介面卡。
  - 一個 50 到 68 針轉接器（如果電腦有窄式 SCSI 介面接頭。）
  - 支援磁帶機的備份應用程式。有關經過測試與 DDS-4 和 DAT 72 磁帶機相容的最新備份應用軟體之清單，請造訪我們的網站 [www.quantum.com/support](http://www.quantum.com/support)。
- 3 檢查磁帶機的預設設定，按需要進行變更：（有關詳細的設定資訊和開關的位置，請參考 CD-ROM 上的使用者手冊。）
  - SCSI ID: 6
  - 同位檢查：啟用
  - 端接器電源：為 SCSI 匯流排提供電源
  - 資料壓縮：啟用
  - 媒體辨識（只適用於 DDS-4 磁帶機）：啟用
  - 開機自我測試：啟用
  - 主機作業系統：Windows 98/Me/XP/NT/2000/2003 Server
  - SCSI 介面相容性（只適用於 DDS-4 磁帶機）：寬式 SCSI
  - 供應商 ID：SEAGATE DAT
- 4 將 SCSI 介面纜線連接到磁帶機。您可以使用接頭將磁帶機連接到主電腦或另一個 SCSI 裝置。

圖 2 外置磁帶機的 SCSI 終端範例



5 檢查 SCSI 終端。

圖 3 外置磁帶機的 SCSI 終端範例



- 6 將電源線連接至磁帶機背面的 AC 電源接頭。將電源線的另一端插到運作正常的 AC 電源插座上。
- 7 依序打開電腦和磁帶機，然後驗證磁帶機是否運作正常。
- 8 在 <http://www.quantum.com/registration> 上註冊磁帶機。

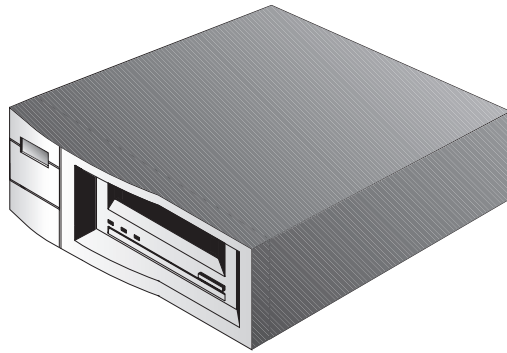
安裝具有 USB 接頭的桌面型磁帶機

安裝具有 USB 接頭的桌面型磁帶機：

- 1 從磁帶機包裝盒中取出主機和配件。如果任何物品有損壞情形，請立即聯絡您的購買的店家。



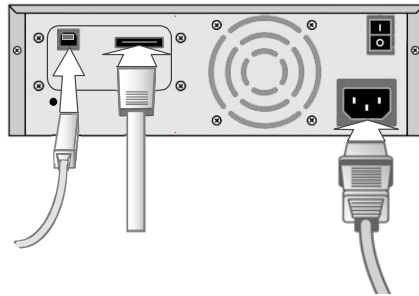
圖 4 外接磁碟機



- 除了您的桌面式磁帶機所包含的配件內容之外，您還需要以下項目：
  - USB 或 eSATA 纜線
- 將 USB 或 eSATA 纜線連接至磁帶機以及電腦上的 USB 或 eSATA 連接埠。

**註釋：** 僅限 USB 磁帶機 — 爲了取得最佳效能，USB 磁帶機應連接至 USB 2.0 連接埠且應爲根集線器上的唯一裝置。

圖 5 連接纜線 — USB/eSata 磁帶機



- 在 <http://www.quantum.com/registration> 上註冊磁帶機。

## 內接式磁帶機

### 重要安全防範措施

您的內接式磁帶機具備敏感性非常高的零件，因此很容易受到靜電釋放 (ESD) 的損害。當處理磁帶機的時候，請務必格外小心，因爲它可能會因爲 ESD 而受損。拿取磁帶機前，務必先閱讀以下 ESD 說明，防止損害磁帶機。

- 當使用磁帶機的時候，請穿著抗 ESD 接地腕帶或詳閱 ESD 防護措施。請確認腕帶和皮膚有完全接觸。在您完成磁帶機工作之前，請勿脫下腕帶。
- 避免和磁碟機、其他設備或是布料有任何接觸。此腕帶只會保護來自身上的 ESD 電壓；衣物布料上的 ESD 電壓仍可能會導致損害。
- 當磁帶機沒有在使用中時，請將其放入抗靜電袋中。
- 當您將磁帶機從抗靜電袋中取出之前，請觸摸一下金屬或接地表面以釋放身上的靜電。
- 當拿取磁帶機時，請抓住其邊緣部位。避免觸碰印刷電路板上的任何外露部位。

- 請總是將磁帶機置於靜電袋上方或是內部，以降低 ESD 造成損害的機會。

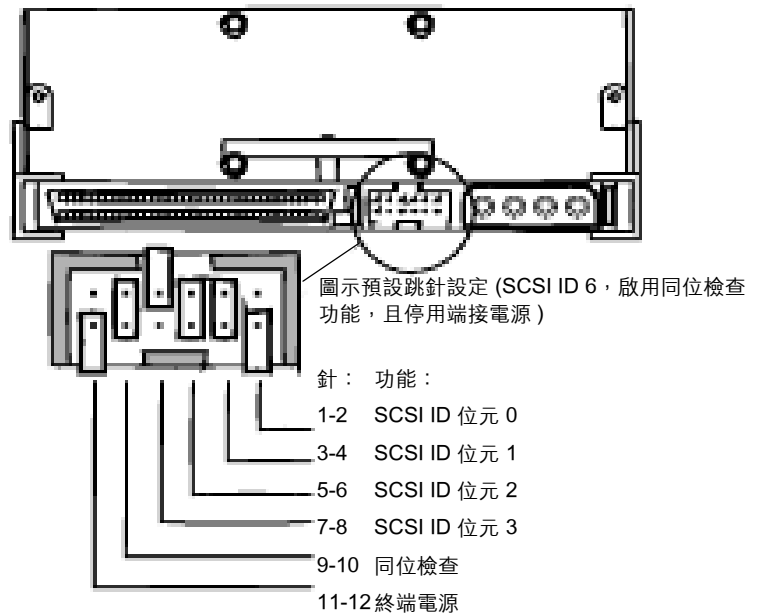
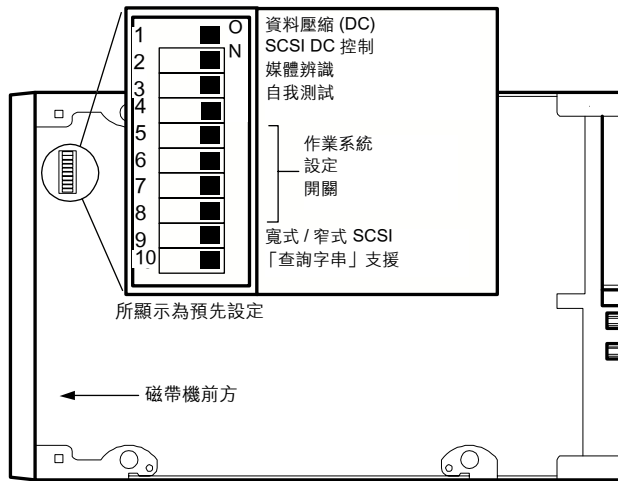
## 安裝具有 SCSI 接頭的 內接式磁帶機

安裝具有 SCSI 接頭的內接式磁帶機：

- 1 從磁帶機包裝盒中取出主機和配件。如果任何物品有損壞情形，請立即聯絡您的購買的店家。
- 2 除了磁帶機中的物品外，還需要以下物品：
  - 在主機上正確安裝並設定的 SCSI 主機匯流排介面卡（用於 SCSI 磁帶機）
  - 一個 3.5 英吋或 5.25 英吋半高型機槽
  - 一條 SCSI 排線
  - 支援磁帶機的備份應用程式。有關經過測試與內接式 DDS-4 和 DAT 72 磁帶機相容的最新備份應用軟體之清單，請造訪我們的網站 [www.quantum.com/support](http://www.quantum.com/support)。
- 3 繼續安裝前，準備好將內接式磁帶機安裝進電腦安裝機槽所需之工具。下面的清單列出了所需的一些工具：
  - 十字螺絲起子
  - 扁平螺絲起子（如果您的電腦使用平頭螺絲）
  - TORX 螺絲起子（如果電腦使用 TORX 螺絲）
  - 電腦文件，在安裝過程中可參考這些文件

根據不同的安裝，您可能需要其他物品。
- 4 檢查磁帶機的預先設定，按需要進行變更：（有關詳細的設定資訊，請參考 CD-ROM 上的使用者手冊。）
  - 同位檢查：啟用
  - 端接器電源：為 SCSI 匯流排提供電源
  - 資料壓縮：啟用
  - 媒體辨識（只適用於 DDS-4 磁帶機）：啟用
  - 開機自我測試：啟用
  - 供應商 ID：SEAGATE DAT
  - 主機作業系統：Windows 98、Windows Me、Windows XP、Windows NT、Windows 2000/2003 Server
  - SCSI ID: 6
  - SCSI 介面相容性（只適用於 DDS-4 磁帶機）：
  - 寬式 SCSI

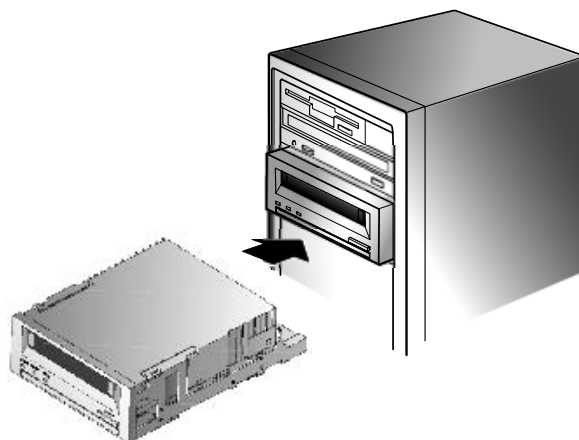
圖 6 內接式跳接腳位和開關設定



SCSI ID=0	■	■	■	■
SCSI ID=1	■	■	■	■
SCSI ID=2	■	■	■	■
SCSI ID=3	■	■	■	■
SCSI ID=4	■	■	■	■
SCSI ID=5	■	■	■	■
SCSI ID=6	■	■	■	■
SCSI ID=7	■	■	■	■

SCSI ID=8	■	■	■	■
SCSI ID=9	■	■	■	■
SCSI ID=10	■	■	■	■
SCSI ID=11	■	■	■	■
SCSI ID=12	■	■	■	■
SCSI ID=13	■	■	■	■
SCSI ID=14	■	■	■	■
SCSI ID=15	■	■	■	■
同位檢查啟用	■	■	■	■
終端電源	■	■	■	■

圖 7 安裝內接式磁帶機



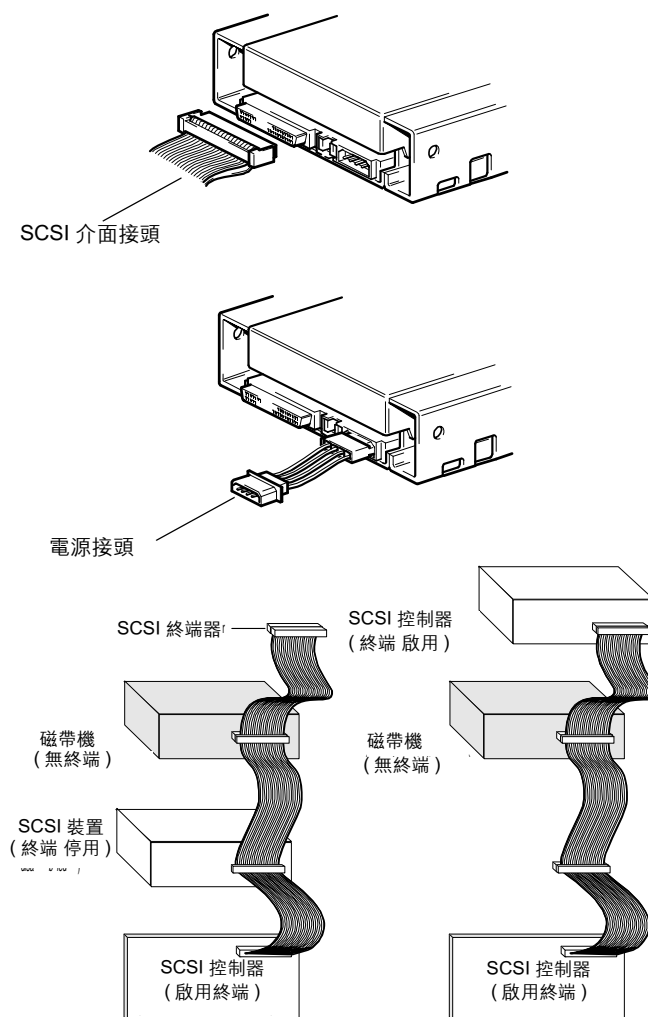
- 5 關閉電腦，取下護蓋和電源線，然後為磁帶機選擇一個安裝機槽。依照磁帶機的類型，選擇一個 3.5 英吋或 5.25 英吋的拖架。
- 6 將磁帶機安裝到機槽中並使用隨附的螺絲固定。
- 7 安裝資料接頭和電源接頭：

- a 將 SCSI 介面纜線連接到磁帶機。

不論是「低壓差動」(LVD) 或單端 (16 位元「寬式」模式)，內接式磁帶機對於都可以使用「寬式 SCSI」介面。磁帶機會自動偵測 SCSI 匯流排是 LVD 還是單端模式。確定內接式磁帶機不是 SCSI 匯流排上的最後一個裝置 (磁帶機不提供 SCSI 終端)，SCSI 匯流排必須正確端接。

- b 將電腦內部電源中的 4 針電源線連接到內接式磁帶機背面的電源接頭。

圖 8 SCSI 端接內接式磁帶機



- 9 裝回電腦護蓋和電源線、打開電腦，然後驗證內接式磁帶機是否運作正常。
- 10 在 <http://www.quantum.com/registration> 上註冊磁帶機。

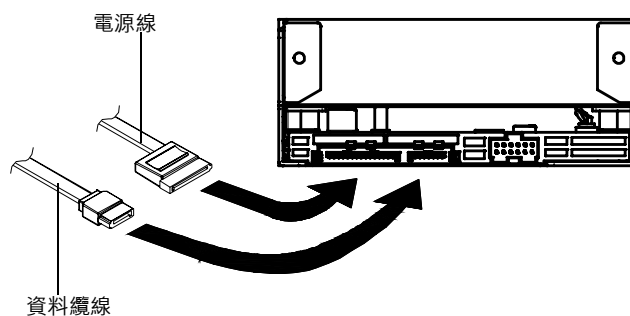
### 安裝具有 SATA 接頭的內接式磁帶機

安裝具有 SATA 接頭的內接式磁帶機：

- 1 從磁帶機包裝盒中取出主機和配件。如果任何物品有損壞情形，請立即聯絡您的購買的店家。
- 2 除了磁帶機中的物品外，還需要以下物品：
  - 在主機上正確安裝並設定的 SATA 主匯流排介面卡（用於 SATA 磁帶機）
  - 一個 3.5 英吋或 5.25 英吋半高型機槽
  - SATA 資料纜線
  - 支援磁帶機的備份應用程式。有關經過測試與內接式 DDS-4 和 DAT 72 磁帶機相容的最新備份應用軟體之清單，請造訪我們的網站 [www.quantum.com/support](http://www.quantum.com/support)。

- 3 繼續安裝前，準備好將內接式磁帶機安裝進電腦安裝機槽所需之工具。下面的清單列出了所需的一些工具：
  - 十字螺絲起子
  - 扁平螺絲起子（如果您的電腦使用平頭螺絲）
  - TORX 螺絲起子（如果電腦使用 TORX 螺絲）
  - 電腦文件，在安裝過程中可參考這些文件
- 4 關閉電腦，取下護蓋和電源線，然後為磁帶機選擇一個安裝機槽。依照磁帶機的類型，選擇一個 3.5 英寸或 5.25 英寸的拖架。
- 5 將磁帶機安裝到機槽中並使用隨附的螺絲固定。
- 6 安裝資料接頭和電源接頭：
  - a 將 SATA 資料纜線一端連接到磁帶機上的 SATA 資料接頭。
  - b 將 SATA 資料纜線的另一端連接到 SATA 卡或主機板 SATA 接頭上的 SATA 資料接頭。
  - c 將 SATA 電源供應器轉換線的一端連接到電腦內部電源供應器的 4 針電源線上。
  - d 將介面卡纜線的另一端連接到磁帶機。

圖 9 SATA 連線



- 7 您必須使用 SATA 資料纜線和 SATA 轉 USB 轉接器。請依照轉接器隨附的「SATA 轉 USB 轉接器安裝手冊」中的說明操作。
- 8 裝回電腦護蓋和電源線、打開電腦，然後驗證內接式磁帶機是否運作正常。
- 9 在 <http://www.quantum.com/registration> 上註冊磁帶機。

## 安全規範

DDS-4/DAT 72 磁帶機符合以下管理機構和所列國家之法律在安全方面的規定。

國家	規範組織	符合：
加拿大	Canadian Standards Association (加拿大標準協會, CSA)	UL/CSA 60950-1
歐盟成員國	Comité Européen de Normalisation Electrotechnique – European Committee for Electrotechnical Standardization (歐洲電子技術標準協會, CENELEC)	EN 60950-1, 第一版
IECEE* 成員國	IECEE* International Electrotechnical Commission on Electrical Equipment (電子設備國際電子技術委員會, IECEE), 對於電子設備 “CB Scheme” (CB 驗證體系) 的測試認證相互承認	CB 體系, 根據 IEC 60950-1 對每個成員國具有詳細資訊和例外
以色列	SII	CB Scheme (CB 驗證體系)
墨西哥	強制性安全標記 (NOM), 與 UL 類似	NOM 標準
新加坡	生產力及標準局 (PSB)	PSB 安全認證 CB 體系
南非	SABS	CB Scheme (CB 驗證體系)
韓國	MIC	CB Scheme (CB 驗證體系)
台灣	BSMI	BSMI 認證, CNS 14336
美國	Canadian Standards Association (加拿大標準協會, CSA)	UL/CSA 60950-1

\* IECEE 的會員國包括：阿根廷、奧地利、澳洲、比利時、巴西、加拿大、中國 (PR)、捷克共和國、丹麥、芬蘭、法國、德國、匈牙利、印度、愛爾蘭、以色列、義大利、日本、南韓、蒙特尼哥羅、荷蘭、挪威、波蘭、俄羅斯聯邦、塞爾維亞、新加坡、斯洛伐克、斯洛伐尼亞、南非、西班牙、瑞士、土耳其、英國、美國。

## Electromagnetic Compatibility ( 電磁標準 , EMC)

DDS-4/DAT 72 磁帶機符合以下管理機構和所列國家之法律在安全方面的規定。

國家	規範組織	符合：
澳大利亞	Standards Australia Spectrum Management “C-Tick” ( 標準澳洲電磁波譜管理 )	AS/NZS 3548 ( 和 CISPR 22 相同 )
加拿大	Industry Canada Digital Apparatus - Interference-Causing Equipment Standard ( 工業加拿大數位設備 — 射頻干擾設備標準, ICES-003)	ICES-003 數位設備
歐盟成員國	CE	放射性符合 CISPR 22, EN55022, 抗干擾性符合 CISPR 24, EN55024
以色列	SII	CISPR-22, B 類, CISPR-24
日本	Voluntary Control Council for Interface ( 干擾設備管制組織, VCCI)	這是自願性相符標準；本磁帶機符合 CE/EMC 相符標準，因此符合此標準
紐西蘭	澳洲頻譜管理標準, “C-Tick”	AS/NZS 3548 ( 和 CISPR 22 相同 )
俄羅斯	俄羅斯聯邦國家標準化及度量衡委員會 (GOST)	CISPR-22, B 類, CISPR-24
韓國	MIC	CISPR 22 和 CISPR 24
台灣	Bureau of Commodity Inspection and Quarantine ( 經濟部商品檢驗局, BSMI)	BSMI EMC 認證, CNS 14338
美國	Federal Communications Commission ( 聯邦通訊傳播委員會, FCC)	第 47 條：聯邦法典第 15 部分 B 小節 (47CFR15B)

**註釋：** 若您要搭配其他設備來使用磁帶機，請確定這些設備有經過適當的認證組織核可 ( 例如，北美地區的 Underwriters Laboratories Inc. 或 Canadian Standards Association )。

您也應該考慮以下的安全要點：

- 在機殼上安裝磁帶機，以限制內部零件受到接觸，給予系統適當的穩定性，並為磁帶機提供必需的接地措施。
- 依照適用的規範基準來提供正確的電壓 (+5 VDC 和 +12 VDC) 適用於 UL 和 CSA 的 Extra Low Voltage ( 超低電壓, SEC), 以及適用於 BSI 和 VDE ( 若有應用的話 ) 的 Safety Extra Low Voltage ( 安全超低電壓 )。



如需幫助，請聯絡「Quantum 技術支援」中心：

北美 **+1-800-284-5101**  
英國、法國和德國 **00800 4 QUANTUM**  
EMEA **+44 1256 848 766**

全球支援：[www.quantum.com/contactsupport](http://www.quantum.com/contactsupport)

**Quantum**<sup>®</sup>

備份。復原。歸檔。這就是我們的專業領域。

©2006 Quantum Corporation。保留所有權利。Quantum、Quantum 標誌和所有其他標誌都為 Quantum Corporation 或其各自擁有者的註冊商標。

Quantum

Quantum 公司 (NYSE: DSS) 是全球領先的儲存公司，在資料備份、復原和保存方面具有專長。結合了集中的專業技術、以客戶為中心的創新以及平台的獨立性，Quantum 提供了範圍廣大的磁碟、磁帶、媒體和軟體技術，並由世界級的銷售與服務組織支援。作為一位長期且值得信任的夥伴，本公司和廣大的經銷商、OEM 及供應商網路密切合作，以符合客戶日益增長的資料保護需求。