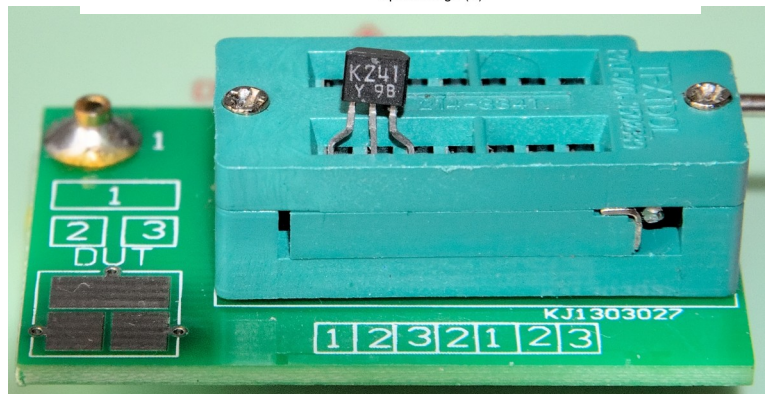
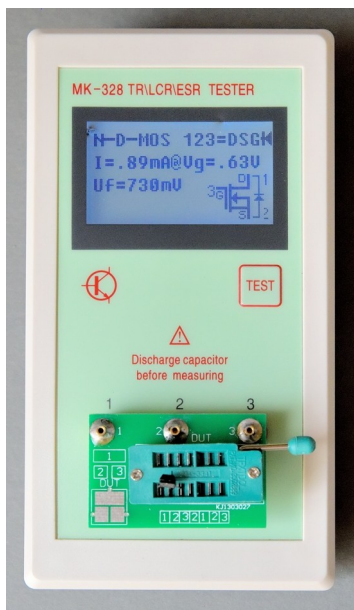
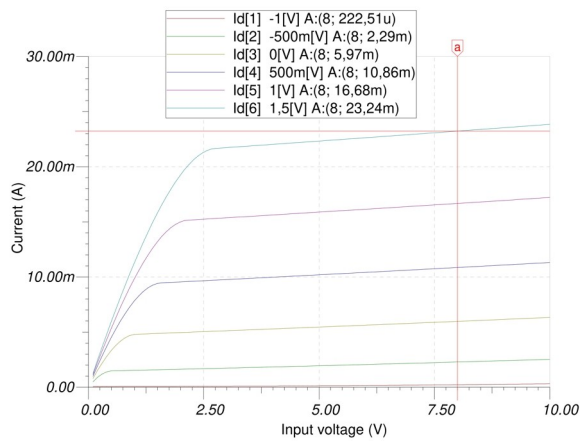
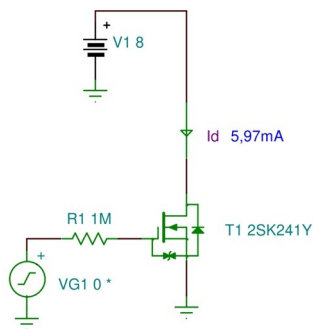
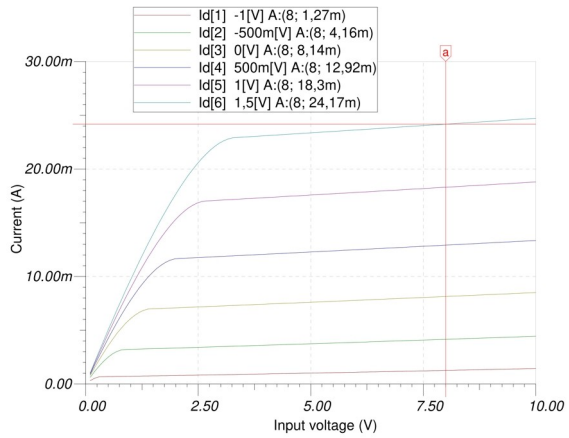
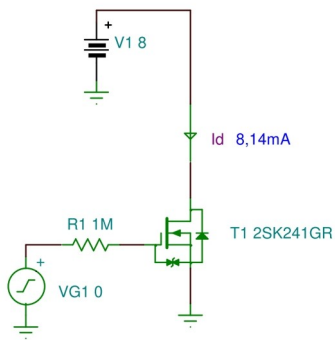


# 2SK241 TOSHIBA Field Effect Transistor Macro Model

## FM Tuner, VHF and RF Amplifier Applications DC Characteristics (GR, Y):



## Gate Protection Characteristics

