

PARTS LIST

MITSUBISHI DIESEL ENGINE

FOR INDUSTRIAL



MODEL **K3B**
K3D
➔ **K3E**

TO DET
16/1/1986 *Nyunguwa* *12/10/1986* *2506/53*
12/10/1986 *25551* *4m. Str...*

'86-6



MITSUBISHI HEAVY INDUSTRIES, LTD.

MITSUBISHI GENUINE PARTS

"MITSUBISHI GENUINE PARTS" are superior and reliable because they have been produced under the excellent quality-control system, and have passed the standard after strict inspections.

Imitation parts are not recommended from the viewpoint of their material and manufacturing method which are entirely incomparable with those of genuine parts.

A large assortment of "MITSUBISHI GENUINE PARTS" is always available at any of our authorized dealers so do your purchasing at your nearest dealer by specifying "MITSUBISHI GENUINE PARTS."

HOW TO USE PARTS LIST

1. This Parts List covers all service parts of Mitsubishi Model K3B,K3D,K3E Diesel Engine.

Details engine model:

Engine Model		Use	Engine Model		Use
K3B	61A	For Industrial Use (STD Model)	K3D	61PA	For ANI-perkins
	61ES	For mini power SHOVEL		61RG	For tractor
	61PA	For ANI-perkins		61SA	For sailing boat
	61SA	For sailing boat		61SS	
	61SG	For generator set		61TG	For tractor
61A	For Industrial Use (STD Model)	61TT			
K3D	61AM	For sailing boat		61WH	For hortrack
	61AT	For tractor	61WM	For Sailing boat	
	61DA	For distributor STD	K3E	61A	For Industrial Use (STD Model)
	61DM	For sailing boat		61EM	For sailing boat
	61DMG	For sailing boat generator		61KL	For loader
	61DMH	For sailing boat		61RA	For sailing boat
	61FG	For tractor			

2. These parts listed in the list are divided into group, main and sub, in accordance with their order of construction.
3. The "Key No." indicates a code number led out by the arrow pointing to the part illustrated in each figure.
4. The quantity of the parts are listed in the column "Model & No. Req'd."
5. When a part has been modified, an old part are indicated by marking the quantity of the part with "○" in the column "Model & No. Req'd."
6. R/P (Replaceability)

When a part has been modified, the interchangeability between new and old parts are indicated by using the following symbols.

Symbol	Interpretation
O	Both new and old parts are usable on new and old engine.
X	New parts are usable only on new engine and the old parts only on old engine.
Y	New parts can be used on both new and old engine but old parts can be used only on old engine.
Z	New parts can be used only on new engine but old parts can be used on both new and old engine.
#	The parts are not usable on either new or old engine but they are usable if they are reworked or combined with other parts.

7. This parts list uses the following abbreviations.

- | | | | | | |
|-------|---|----------------|------|---|--------------|
| ASSY | : | Assembly | OS | : | Over size |
| STD | : | Standard | C. | : | Choose |
| Req'd | : | Required | US | : | Under size |
| No. | : | Number | S. | : | Sum required |
| R/P | : | Replaceability | Exc. | : | Except |

8. With regard to the phase of the engine.

- | | | | | | |
|-------|---|-----------------------|-------|---|-------------------|
| Front | : | the Crank pulley side | Left | : | the Starter side |
| Rear | : | the Flywheel side | Right | : | the Oil Pump side |

9. E/E (Effective Engine No.)

When a part has been modified, the effective Engine No. of the old and new parts are indicated by using symbols. Details of Engine No. are listed in the end of this book.

Example:

1-04 MAIN MOVING PARTS

1 ENGINE

見出番号 Key No.	部品番号 Part No.	部品名称 Part Name	型式および所要数 Model & No. Req'd							R P	E E	備考 Remarks
			K 3B	K 3D	K 3E							
1	MM302530	RING SET,piston STD	③	-	-							
	MM432994	RING SET,piston STD	③	-	-					O	A33	
	MM433340	RING SET,piston STD	3	-	-					Y	A34	

10. Whenever you place an order for some parts, please be sure to let us know all of the following items.

10-1: Engine Model & Engine No.

10-2: Part No. & Part Name

10-3: No. Required

11. The part number index in the end of this book the page and key No. where the description of the part is shown.

12. The parts listed on this Parts List are subject to change without notice.

GROUP INDEX

1. ENGINE

- 01 CRANK CASE 2
- 02 OIL PAN & GEAR CASE 8
- 03 CYLINDER HEAD 12
- 04 MAIN MOVING PARTS 16
- 05 TIMING PARTS 22

2. FUEL SYSTEM

- 01 FUEL SUPPLY PARTS 26
- 02 FUEL INJECTION PUMP 32
- 03 NOZZLE & NOZZLE
HOLDER 42
- 04 FUEL FILTER 46

3. GOVERNOR SYSTEM

- 01 GOVERNOR PARTS 50

4. LUBRICATION SYSTEM

- 01 LUBRICATING PARTS 56

5. COOLING SYSTEM

- 01 COOLING PARTS 62
- 02 RADIATOR 66

6. INLET & EXHAUST SYSTEM

- 01 AIR CLEANER 68
- 02 INTAKE & EXHAUST PARTS 72

7. ELECTRICAL SYSTEM

- 01 ELECTRICAL EQUIPMENT 76
- 02A STARTER 80
- 02B STARTER 84
- 02C STARTER 88
- 03A ALTERNATOR 90
- 03B ALTERNATOR
(For 61EM, WM) 92
- 03C ALTERNATOR(For 61FG) 94
- 03D ALTERNATOR(For 61SG) 92
- 03E ALTERNATOR 98

8. INSTRUMENT PARTS

- 01 INSTRUMENT PARTS 110

9. TOOL

- 01 TOOL 104

10. OUT PUT SYSTEM

- 01 CLUTCH (For 61AT) 106

11. REPAIR GASKET KIT

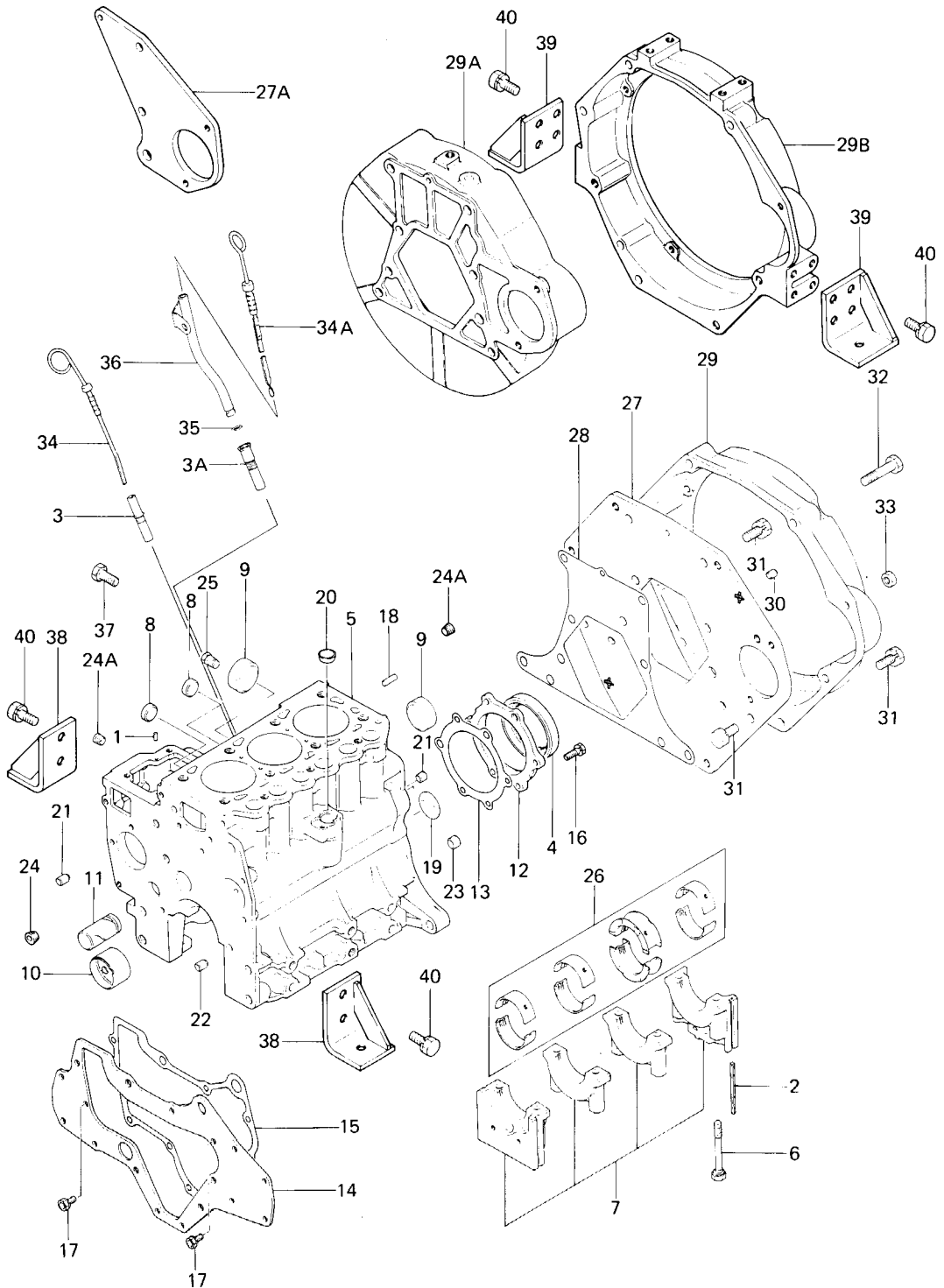
- 01 REPAIR GASKET KIT 108

12. OPTIONAL PARTS

- 01 RECONSTRUCTION PARTS 112
- EFFECTIVE ENGINE NO. 114
- PARTS No. INDEX 116

1-01 CRANK CASE

1 ENGINE



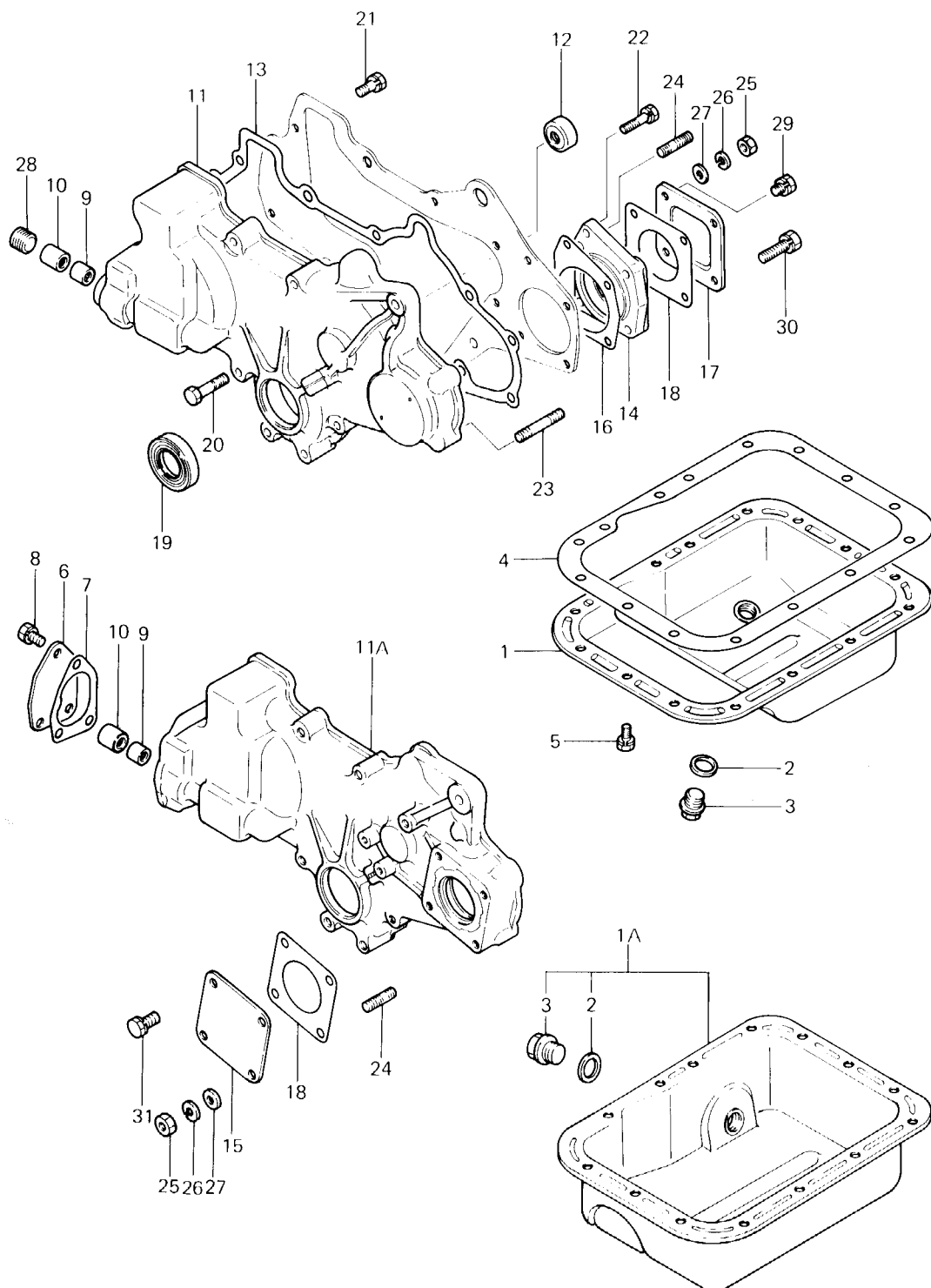
1-02 OIL PAN & GEAR CASE

1 ENGINE

見出番号 Key No.	部品番号 Part No.	部品名称 Part Name	型式および所要数 Model & No. Req'd										R / P	E / E	備考 Remarks		
			K	K	K												
			3B	3D	3E												
1~3	MM408303	PAN ASSY,oil	1	1	-												For 61A,AM,AT,ES, FG,SS,TT,WH
	MM431347	PAN ASSY,oil	1	-	-												For 61SG
	MM409710	PAN ASSY,oil	-	1	-												For 61TG
	MM412614	PAN ASSY,oil	-	1	-												For 61RG
	MM412635	PAN ASSY,oil	-	-	1												For 61RA
	MM412636	PAN ASSY,oil	1	1	1									X	A51		For 61A,DA,EM,KL, PA,SA
	MM408303	PAN ASSY,oil	①	①	-												For 61SA
	MM408323	PAN ASSY,oil	-	①	-												For 61WM
1A~3	MM432403	PAN ASSY,oil	-	1	-									X	A27		For 61WM
1	MM430296	PAN,oil	-	1	-												For 61DM,DMG,DMH
2	MD000312	GASKET,oil drain plug (18)	1	1	1												Exc.61DM,DMG,DMH
3	MD000318	PLUG,oil drain	1	1	1												Exc.61DM,DMG,DMH
4	MM408321	GASKET,oil pan	1	1	1												(61DM:2pcs)
	MM431530	GASKET,oil pan	-	1	-												For 61DMG,DMH
5	MF240051	BOLT,with washer (4T:8×16)	15	15	15												
6	MM408233	COVER,governor	-	1	-												For 61DA,DM,DMG, DMH,SS
7	MM408234	GASKET,governor cover	-	1	-												For 61DA,DM,DMG, DMH,SS
8	MF240051	BOLT,with washer (4T:8×16)	-	3	-												For 61DA,DM,DMG, DMH,SS
9	MM406420	BEARING,needle	1	1	1												
10	MM406421	BEARING,needle	1	1	1												
11	MM408230	CASE,gear	-	①	-												
	MM408227	CASE,gear	1	1	1									#	A1		Exc.61DA,DM,DMG, DMH,SS
11A	MM409719	CASE,gear	-	1	-												For 61DA,DM,DMG, DMH,SS

1-02 OIL PAN & GEAR CASE

1 ENGINE



1-01 CRANK CASE

1 ENGINE

見出番号 Key No.	部品番号 Part No.	部品名称 Part Name	型式および所要数 Model & No. Req'd										R / P	E / E	備考 Remarks	
			K	K	K											
			3B	3D	3E											
33	MF430006	NUT (4T:10)	1	1	1											Exc. 61A,AM,DM,DMH, FG,RA,RG,SG SS,TG,TT,WM
34	MM409226	GAUGE,oil level	1	1	1											Exc. 61RG,TG
34A	MM409257	GAUGE ASSY,oil level	-	1	-											For 61RG,TG
35	MF520004	O-RING (9)	-	1	-											For 61RG,TG
36	MM409256	GUIDE,oil level gauge	-	1	-											For 61RG,TG
37	MF100110	BOLT (4T:12×25)	4	4	4											
38	MM431417	SUPPORT,engine	2	2	-									A25		For 61PA
39	MM431535	SUPPORT,engine	2	2	-									A25		For 61PA
40	MF241308	BOLT,with washer (7T:12×28)	12	12	-									A25		For 61PA
	MF241309	BOLT,with washer (7T:12×30)	-	-	12									A26		For 61KL
	MF241284	BOLT,with washer (7T:10×30)	-	-	12									A26		For 61KL

1-01 CRANK CASE

1 ENGINE

見出番号 Key No.	部品番号 Part No.	部品名称 Part Name	型式および所要数 Model & No. Req'd										R / P	E / E	備考 Remarks	
			K	K	K											
			3B	3D	3E											
25	MD000269	PLUG,taper (NPTF 1/4)	1	1	1											
26	MM408160	BEARING SET,crankshaft STD	1	1	-											Exc. 61DMG,DMH
	MM412710	BEARING SET,crankshaft STD	-	1	1											For 61DMG,DMH, K3E:all
	MM408161	BEARING SET,crankshaft 0.25 US	1	1	-											Exc. 61DMG,DMH
	MM412711	BEARING SET,crankshaft 0.25 US	-	1	1											For 61DMG,DMH, K3E:all
	MM408162	BEARING SET,crankshaft 0.50 US	1	1	-											Exc. 61DMG,DMH
	MM412712	BEARING SET,crankshaft 0.50 US	-	1	1											For 61DMG,DMH, K3E:all
	MM408163	BEARING SET,crankshaft 0.75 US	1	1	-											Exc. 61DMG,DMH
	MM412713	BEARING SET,crankshaft 0.75 US	-	1	1											For 61DMG,DMH, K3E:all
27	MM408212	PLATE,rear	1	1	1											Exc. 61DM,DMH,FG,SG, TG,WM
27A	MM408257	PLATE,rear	-	1	-											For 61FG,TG
28	MM408216	GASKET,rear plate	1	1	-											Exc. 61FG,SG,TG
	MM409577	GASKET,rear plate	-	-	1											
29	MM408850	HOUSING,flywheel	1	1	1											For 61AT,EM,KL,SA,WH
29A	MM412960	HOUSING,flywheel	1	-	-											For 61SG
29B	MM412962	HOUSING,flywheel	-	1	-										A24	For 61DA
	MM431538	HOUSING,flywheel	1	1	-										A25	For 61ES,PA
30	MM408245	PIN,knock (10×12)	2	2	2											Exc. 61DM,DMH,FG,SG, TG,WM
31	MF241308	BOLT,with washer (7T:12×28)	8	8	8											For 61A,AM,RA,RG, SG,SS,TT
	MF241308	BOLT,with washer (7T:12×28)	-	3	-											For 61FG,TG
	MF241308	BOLT,with washer (7T:12×28)	13	13	11											For 61AT,DA,DMG,EM, ES,KL,PA,SA,WH
32	MF241315	BOLT,with washer (7T:12×50)	2	2	4											Exc. 61A,AM,DM,DMH, FG,RA,RG,SG, SS,TG,TT,WM

1-01 CRANK CASE

1 ENGINE

見出番号 Key No.	部品番号 Part No.	部品名称 Part Name	型式および所要数 Model & No. Req'd										R / P	E / E	備考 Remarks		
			K 3B	K 3D	K 3E												
	0482624500	CAP,sealing (45)	-	2	-												For 61WM
10	MM408176	BUSH,camshaft	1	1	1												
11	MM408175	SHAFT,idler	①	①	-												
	MM408169	SHAFT,idler	①	①	-												
	MM430113	SHAFT,idler	1	1	1								O				
12	MM408200	CASE,oil seal	1	1	1												
13	MM408205	GASKET,oil seal	1	1	1												
14	MM408221	PLATE,front	1	1	1												Exc.61FG,KL,RG,SG
	MM408221	PLATE,front	-	①	-												For 61TG
	MM408222	PLATE,front	-	1	1								X	A28			For 61FG,KL,RG,SG,TG
15	MM408226	GASKET,front plate	1	1	1												
16	MF240054	BOLT,with washer (4T:8×22)	6	6	6												
17	MF241251	BOLT,with washer (7T:8×16)	③	③	-												
	MF240051	BOLT,with washer (4T:8×16)	3	3	3									O			
18	MF472404	PIN,dowel (8)	1	1	1												
19	MF665511	PLUG,expansion (40)	1	1	1												
20	MF665537	CAP,sealing (22)	1	1	-												For 61DMG,DMH,SG
21	MS471104	BUSHING,knock (8×9)	2	2	2												
22	MS471105	BUSHING,knock (8×13)	2	2	2												
23	MS471110	BUSHING,knock (12×9)	1	1	1												
24	MS661121	PLUG,taper (PT 1/4)	1	1	1												(61WM:2pcs)
	MS661121	PLUG,taper (PT 1/4)	②	②	②												(61TT,WM:1pc)
24A	MS661141	PLUG,taper (PT 1/4)	2	2	2								O	A23			(61TT,WM:1pc)

1-01 CRANK CASE

1 ENGINE

見出番号 Key No.	部品番号 Part No.	部品名称 Part Name	型式および所要数 Model & No. Req'd										R / P	E / E	備考 Remarks	
			K	K	K											
			3B	3D	3E											
1	MD000268	PIN,dowel	②	②	-											
	MM409645	PIN,dowel	2	2	2								O			
2	MM406228	SEAL,side	4	4	4											
3	MM406235	GUIDE,oil level gauge	①	①	-										Exc.61RG,TG	
	MM430613	GUIDE,oil level gauge	1	1	1								O		Exc.61RG,TG	
3A	MM409741	RETAINER,oil level gauge guide	-	1	-										For 61RG,TG	
4	MM406242	OIL SEAL	1	1	1											
5~10	MM408341	BLOCK SUB ASSY,cylinder	①	-	-											
	MM430181	BLOCK SUB ASSY,cylinder	1	-	-								X	A14		
	MM408343	BLOCK SUB ASSY,cylinder	-	①	-										For 61A,61FG	
	MM413858	BLOCK SUB ASSY,cylinder	-	1	-								X	A15	For 61FG	
	MM408359	BLOCK SUB ASSY,cylinder	-	①	-										For 61WM	
	MM413860	BLOCK SUB ASSY,cylinder	-	①	-								X	A15	For 61WM	
	MM432469	BLOCK SUB ASSY,cylinder	-	1	-								X	A22	For 61WM	
	MM409700	BLOCK SUB ASSY,cylinder	-	①	-										For 61RG,61TG	
	MM430182	BLOCK SUB ASSY,cylinder	-	1	-								X	A15	Exc.61FG,WM	
	MM413891	BLOCK SUB ASSY,cylinder	-	-	1										For 61RA	
	MM430236	BLOCK SUB ASSY,cylinder	-	-	1										For 61A,EM,KL	
6	MM406217	BOLT,bearing cap	8	8	8											
7	*	CAP ASSY,bearing	1	1	1											
8	MF665538	CAP,sealing (25)	2	2	2										Exc.61WM	
	0482622500	CAP,sealing (25)	-	2	-										For 61WM	
9	MF665543	CAP,sealing (45)	2	2	2										Exc.61WM	

1-03 CYLINDER HEAD

1 ENGINE

見出番号 Key No.	部品番号 Part No.	部品名称 Part Name	型式および所要数 Model & No. Req'd										R / P	E / E	備考 Remarks	
			K	K	K											
			3B	3D	3E											
13	MF401936	STUD (4T:8×25)	1	1	1											Exc. 61AM,SS,WM
14	MS661120	PLUG,taper (PT 1/8)	①	①	①											
	MS661140	PLUG,taper (PT 1/8)	1	1	1									O	A23	
15	MM104556	PLUG,taper (PT 3/8)	-	①	-											For 61WM
	MS661122	PLUG,taper (PT 3/8)	-	1	-									O		For 61DA,SS,WM
16	MD000522	WASHER	②	②	-											
	MM408509	WASHER	2	2	2									O	A2	Exc. 61WM
	MM408509	WASHER	-	②	-									A22		For 61WM
17	MD000523	OIL SEAL	2	2	2											Exc. 61WM
	MD000523	OIL SEAL	-	②	-									A22		For 61WM
18,19	MM408491	COVER ASSY,rocker	1	1	1											Exc. 61WM
	MM408491	COVER ASSY,rocker	-	①	-											For 61WM
	MM432472	COVER ASSY,rocker	-	1	-									X	A22	For 61WM
19	K9644171	PIPE	1	1	1											
20	MM408501	GASKET,rocker cover	1	1	1											
21	MF430005	NUT (4T:8)	2	2	2											Exc. 61WM
	MF430005	NUT (4T:8)	-	②	-									A22		For 61WM
22	MM409983	PLATE,name (K3D)	-	1	-											For 61TT
23	MM409984	PLATE,name (TSN)	-	1	-											For 61TT
24	MM431988	BOLT (8×11)	-	2	-									A22		For 61WM
25	MK66108000	WASHER,seal (8)	-	2	-									A22		For 61WM

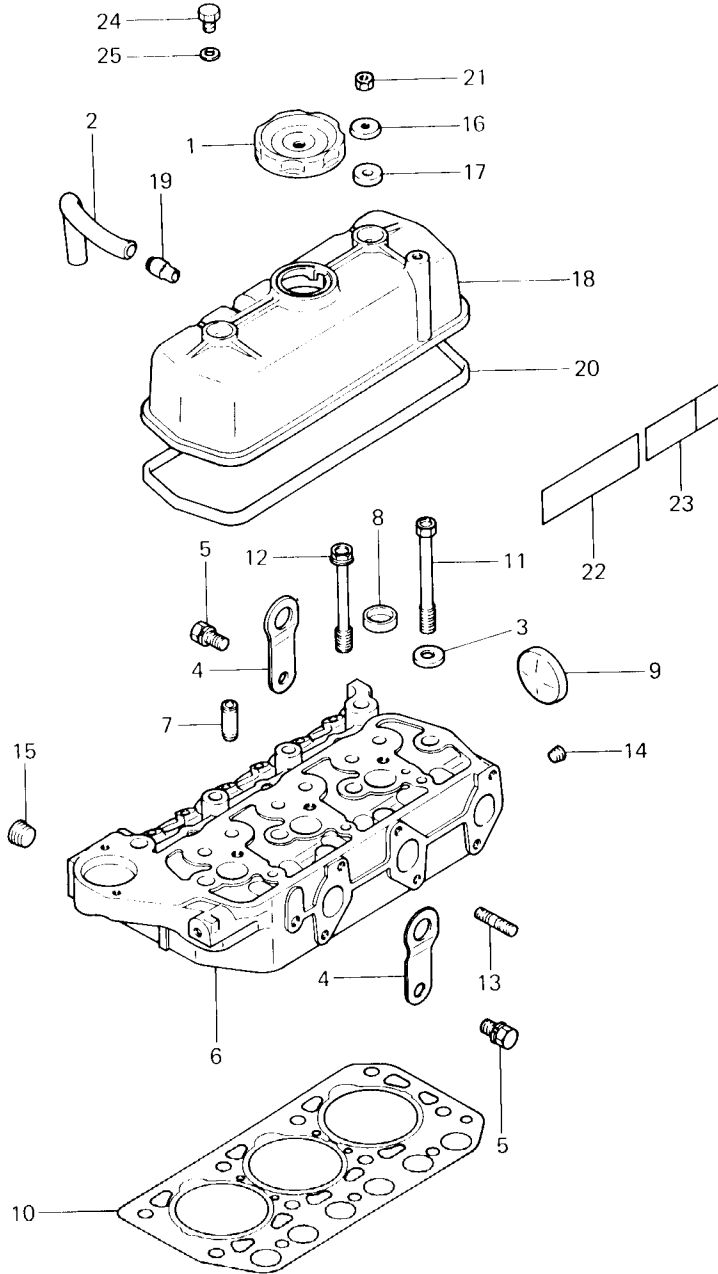
1-03 CYLINDER HEAD

1 ENGINE

見出番号 Key No.	部品番号 Part No.	部品名称 Part Name	型式および所要数 Model & No. Req'd										R / P	E / E	備考 Remarks	
			K	K	K											
			3B	3D	3E											
1	MD008784	CAP,oil filler	1	1	1											Exc. 61WM
	MD008784	CAP,oil filler	-	①	-										A22	For 61WM
2	MM408536	PIPE,air breather	①	①	①											
	MM432044	PIPE,air breather	1	1	1									O	A30	
3	MD020733	WASHER,cylinder head bolt	8	8	8											
4	MM408470	HANGER,engine	2	2	2											
5	MF241280	BOLT,with washer (7T:10×20)	2	2	2											
6~9	MM408482	HEAD ASSY,cylinder	1	-	-											
	MM408414	HEAD ASSY,cylinder	-	1	-											For 61WM
	MM408394	HEAD ASSY,cylinder	-	1	-											Exc. 61DMG,DMH,WM
	MM408391	HEAD ASSY,cylinder	-	1	-									A31		For 61DMG,DMH
	MM409814	HEAD ASSY,cylinder	-	-	①											
	MM434154	HEAD ASSY,cylinder	-	-	1									O	A32	
7	MM408441	GUIDE,valve	6	6	6											
8	MF665538	CAP,sealing (25)	3	3	3											Exc. 61WM
	0482622500	CAP,sealing (25)	-	3	-											For 61WM
9	MF665543	CAP,sealing (45)	1	1	1											Exc. 61WM
	0482624500	CAP,sealing (45)	-	1	-											For 61WM
10	MM408452	GASKET,cylinder head	1	-	-											
	MM408453	GASKET,cylinder head	-	1	-											
	MM409815	GASKET,cylinder head	-	-	1											
11	MM408481	BOLT,cylinder head (12×98)	8	8	8											
12	MM404316	BOLT,cylinder head (10×90)	3	3	3											

1-03 CYLINDER HEAD

1 ENGINE



1-02 OIL PAN & GEAR CASE

1 ENGINE

見出番号 Key No.	部品番号 Part No.	部品名称 Part Name	型式および所要数 Model & No. Req'd							R / P	E / E	備考 Remarks
			K 3B	K 3D	K 3E							
23	MM400683	STUD (7T:8×45)	③	③	-							For 61A,TG,WM
	MM408228	STUD (7T:8×42)	③	③	-					O		For 61A,TG,WM
	MS401434	STUD (7T:8×42)	3	3	3					O		Exc.61DM,DMG,DMH, FG,KL,RG,SG,SS,TG
	MS401434	STUD (7T:8×42)	-	③	-					A28		For 61TG
24	MF402566	STUD (7T:8×25)	①	①	-							For 61A,TG,WM
	MF402565	STUD (7T:8×22)	1	1	1					O		Exc.61FG,RG,SG,TG (DM,DMG,DMH, SS:3pcs.)
	MF402565	STUD (7T:8×22)	-	①	-					A28		For 61TG
25	MF430005	NUT (4T:8)	4	4	4							Exc.61FG,RG,SG,TG (DM,DMG,DMH, SS:3pcs.)
	MF430005	NUT (4T:8)	-	④	-					A28		For 61TG
26	MF450405	WASHER,sping (8)	4	4	4							Exc.61FG,RG,SG,TG (DM,DMG,DMH, SS:3pcs.)
	MF450405	WASHER,spring (8)	-	④	-					A28		For 61TG
27	MF450005	WASHER,plain (8)	4	4	4							Exc.61FG,RG,SG,TG (DM,DMG,DMH, SS:3pcs.)
	MF450005	WASHER,plain (8)	-	④	-					A28		For 61TG
28	MS661123	PLUG,taper (PT 1/2)	1	1	1							Exc.61DA,DM,DMG, DMH,SS
29	MF240051	BOLT,with washer (4T:8×16)	-	1	-							For 61DM,DMG,DMH,SS
30	MF240059	BOLT,with washer (4T:8×35)	-	3	-							For 61DM,DMG,DMH,SS
31	MF241253	BOLT,with washer (7T:8×20)	-	1	-							For 61DM,DMG,DMH,SS

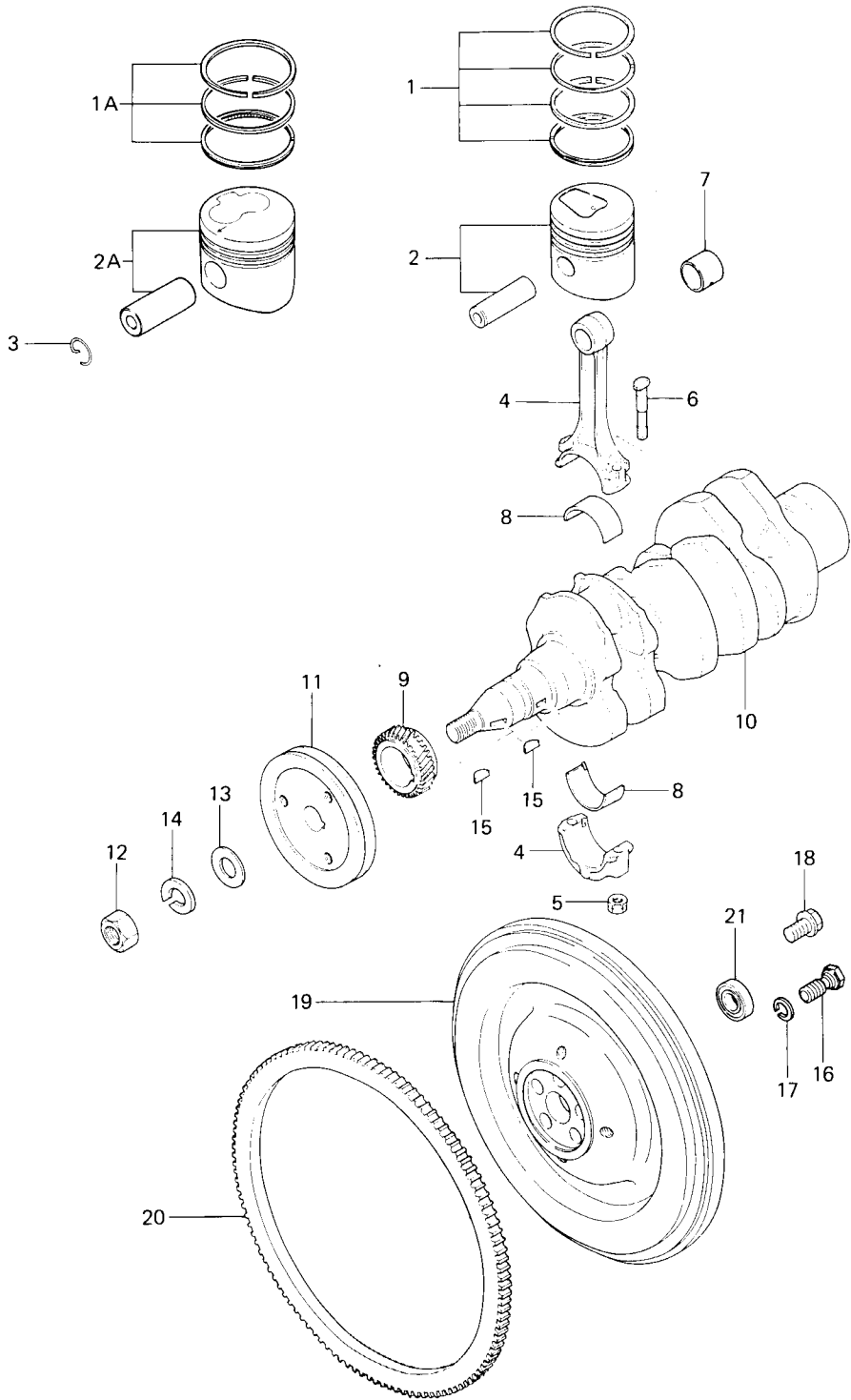
1-02 OIL PAN & GEAR CASE

1 ENGINE

見出番号 Key No.	部品番号 Part No.	部品名称 Part Name	型式および所要数 Model & No. Req'd										R / P	E / E	備考 Remarks		
			K 3B	K 3D	K 3E												
12	MM409718	PLUG,thrust	1	1	1												
13	MM408236	GASKET,gear case	①	①	-												
	MM408235	GASKET,gear case	1	1	1								O				
14	MM409230	HOUSING,pump gear bearing	1	1	1												Exc. 61FG,KL,RG,SG,TG
	MM409230	HOUSING,pump gear bearing	-	①	-									A28			For 61TG
15	MM401205	COVER,oil pump shaft	-	1	-												For 61DA,DM,DMG, DMH,SS
16	MM409235	GASKET,housing	1	1	1												Exc. 61FG,KL,RG,SG,TG
	MM409235	GASKET,housing	-	①	-									A28			For 61TG
17	K7910451	COVER,oil pump	1	1	1												Exc. 61FG,KL,RG,SG,TG
	K7910451	COVER,oil pump	-	①	-									A28			For 61TG
18	MM401206	GASKET,oil pump cover	1	1	1												Exc. 61FG,KL,RG,SG, TG (61DA,DM,DMG, DMH,SS:2pcs.)
	MM401206	GASKET,oil pump cover	-	①	-									A28			For 61TG
19	K9413390	OIL SEAL	①	①	①												
	MD008762	OIL SEAL	1	1	1								O	A29			
20	MF100064	BOLT (4T:8×45)	8	8	8												
21	MF240053	BOLT,with washer (4T:8×20)	②	②	-												Exc. 61FG,RG,SG
	MF240051	BOLT,with washer (4T:8×16)	2	2	2								O				Exc. 61DA,FG,KL,RG, SG,TG
	MF240053	BOLT,with washer (4T:8×20)	-	⑥	-												For 61FG,RG,SG
	MF240051	BOLT,with washer (4T:8×16)	6	6	6								O				For 61DA,FG,KL,RG, SG,TG
	MF240051	BOLT,with washer (4T:8×16)	-	②	-									A28			For 61TG
	MF241261	BOLT,with washer (7T:8×40)	-	1	1												For 61EM,WM
22	MF241257	BOLT,with washer (7T:8×30)	1	1	1												Exc. 61EM,FG,KL,RG, SG,TG,WM
	MF241257	BOLT,with washer (7T:8×30)	-	①	①									A28			For 61EM,TG

1-04 MAIN MOVING PARTS

1 ENGINE



1-04 MAIN MOVING PARTS

1 ENGINE

見出番号 Key No.	部品番号 Part No.	部品名称 Part Name	型式および所要数 Model & No. Req'd										R / P	E / E	備考 Remarks	
			K	K	K											
			3B	3D	3E											
1	MM302530	RING SET,piston STD	③	-	-											
	MM432994	RING SET,piston STD	③	-	-								O	A33		
	MM433340	RING SET,piston STD	3	-	-								Y	A34		
	MM302531	RING SET,piston 0.25 OS	③	-	-											
	MM432995	RING SET,piston 0.25 OS	③	-	-								O	A33		
	MM433341	RING SET,piston 0.25 OS	3	-	-								Y	A34		
	MM302532	RING SET,piston 0.50 OS	③	-	-											
	MM432996	RING SET,piston 0.50 OS	③	-	-								O	A33		
	MM433342	RING SET,piston 0.50 OS	3	-	-								Y	A34		
	MM302533	RING SET,piston 0.75 OS	③	-	-											
	MM432997	RING SET,piston 0.75 OS	③	-	-								O	A33		
	MM433343	RING SET,piston 0.75 OS	3	-	-								Y	A34		
	MM406600	RING SET,piston STD	-	③	-											
	MM431601	RING SET,piston STD	-	③	-								O	A35		
	MM433050	RING SET,piston STD	-	3	-								Z	A36		
	MM406601	RING SET,piston 0.25 OS	-	③	-											
	MM431602	RING SET,piston 0.25 OS	-	③	-								O	A35		
	MM433051	RING SET,piston 0.25 OS	-	3	-								Z	A36		
	MM406602	RING SET,piston 0.50 OS	-	③	-											
	MM431603	RING SET,piston 0.50 OS	-	③	-								O	A35		
	MM433052	RING SET,piston 0.50 OS	-	3	-								Z	A35		
	MM406603	RING SET,piston 0.75 OS	-	③	-											
	MM430604	RING SET,piston 0.75 OS	-	③	-								O	A35		

1-04 MAIN MOVING PARTS

1 ENGINE

見出番号 Key No.	部品番号 Part No.	部品名称 Part Name	型式および所要数 Model & No. Req'd										R / P	E / E	備考 Remarks	
			K 3B	K 3D	K 3E											
1A	MM433053	RING SET,piston 0.75 OS	-	3	-									Z	A36	
	MM409753	RING SET,piston STD	-	-	③											
	MM431579	RING SET,piston STD	-	-	3									Z	A37	
	MM409765	RING SET,piston 0.25 OS	-	-	③											
	MM431631	RING SET,piston 0.25 OS	-	-	3									Z	A37	
	MM409766	RING SET,piston 0.50 OS	-	-	③											
	MM431632	RING SET,piston 0.50 OS	-	-	3									Z	A37	
	MM409767	RING SET,piston 0.75 OS	-	-	③											
2	MM431633	RING SET,piston 0.75 OS	-	-	3									Z	A37	
	MM412765	PISTON & PIN SET STD	3	-	-											
	MM412766	PISTON & PIN SET 0.25 OS	3	-	-											
	MM412767	PISTON & PIN SET 0.50 OS	3	-	-											
	MM412768	PISTON & PIN SET 0.75 OS	3	-	-											
	MM406610	PISTON & PIN SET STD	-	③	-											For 61WM
	MM408520	PISTON & PIN SET STD	-	③	-									O	A3	
	MM433046	PISTON & PIN SET STD	-	3	-									Y	A36	
	MM406611	PISTON & PIN SET 0.25 OS	-	③	-											For 61WM
	MM408521	PISTON & PIN SET 0.25 OS	-	③	-									O	A3	
	MM433047	PISTON & PIN SET 0.25 OS	-	3	-									Y	A36	
	MM406612	PISTON & PIN SET 0.50 OS	-	③	-											For 61WM
	MM408522	PISTON & PIN SET 0.50 OS	-	③	-									O	A3	
	MM433048	PISTON & PIN SET 0.50 OS	-	3	-									Y	A36	
	MM406613	PISTON & PIN SET 0.75 OS	-	③	-											For 61WM

1-04 MAIN MOVING PARTS

1 ENGINE

見出番号 Key No.	部品番号 Part No.	部品名称 Part Name	型式および所要数 Model & No. Req'd										R / P	E / E	備考 Remarks		
			K 3B	K 3D	K 3E												
	MM408523	PISTON & PIN SET 0.75 OS	-	③	-										O	A3	
	MM433049	PISTON & PIN SET 0.75 OS	-	3	-										Y	A36	
2A	MM409730	PISTON & PIN SET STD	-	-	③												
	MM432929	PISTON & PIN SET STD	-	-	③										Y	A38	
	MM433759	PISTON & PIN SET STD	-	-	3										O	A58	
	MM412780	PISTON & PIN SET 0.25 OS	-	-	③												
	MM432930	PISTON & PIN SET 0.25 OS	-	-	③										Y	A38	
	MM434157	PISTON & PIN SET 0.25 OS	-	-	3										O	A58	
	MM412781	PISTON & PIN SET 0.50 OS	-	-	③												
	MM432931	PISTON & PIN SET 0.50 OS	-	-	③										Y	A38	
	MM434158	PISTON & PIN SET 0.50 OS	-	-	3										O	A58	
	MM412782	PISTON & PIN SET 0.75 OS	-	-	③												
	MM432932	PISTON & PIN SET 0.75 OS	-	-	③										Y	A38	
	MM434159	PISTON & PIN SET 0.75 OS	-	-	3										O	A58	
3	K8221251	CLIP,piston pin	-	-	6												
4~6	MM408790	ROD ASSY,connecting	3	3	-												
4~7	MM409733	ROD ASSY,connecting	-	-	3												
5	MD000704	NUT,con rod	6	6	6												
6	MM402547	BOLT,con rod	6	6	6												
7	MM430145	BEARING,small end	-	-	3												
8	MM408795	BEARING SET,con rod STD	3	3	-												Exc.61DMG,DMH
	MM408796	BEARING SET,con rod 0.25 US	3	3	-												Exc.61DMG,DMH
	MM408797	BEARING SET,con rod 0.50 US	3	3	-												Exc.61DMG,DMH

1-04 MAIN MOVING PARTS

1 ENGINE

見出番号 Key No.	部品番号 Part No.	部品名称 Part Name	型式および所要数 Model & No. Req'd										R / P	E / E	備考 Remarks		
			K 3B	K 3D	K 3E												
	MM408798	BEARING SET,con rod 0.75 US	3	3	-												Exc. 61DMG,DMH
	MM409608	BEARING SET,con rod STD	-	3	3												For 61DMG,DMH, K3E:all
	MM409605	BEARING SET,con rod 0.25 US	-	3	3												For 61DMG,DMH, K3E:all
	MM409606	BEARING SET,con rod 0.50 US	-	3	3												For 61DMG,DMH, K3E:all
	MM409607	BEARING SET,con rod 0.75 US	-	3	3												For 61DMG,DMH, K3E:all
9	MM406570	GEAR,crankshaft	①	①	-												
	MM430859	GEAR,crankshaft	1	1	1										O		
10	MM408811	CRANKSHAFT	1	1	-												Exc. 61PA,TT
	MM408811	CRANKSHAFT	-	①	-												For 61TT
	MM408895	CRANKSHAFT	1	1	1									X A40			For 61PA,TT,K3E:all
11	MM408812	PULLEY,crankshaft	-	①	-												For 61WM
	MM408822	PULLEY,crankshaft	-	①	-												For 61FG,61RG,61TG
	MM408820	PULLEY,crankshaft	1	1	1										O		Exc. 61FG
	MM412912	PULLEY,crankshaft	-	1	-										O		For 61FG
12	MF430126	NUT (6T:18)	1	1	1												
13	MF450010	WASHER,plain (18)	1	1	1												
14	MF450410	WASHER,spring (18)	1	1	1												
15	MF476215	KEY,woodruff (5×19)	2	2	2												
16	MD002620	BOLT,flywheel	⑤	⑤	-											A16	
17	MD014236	WASHER,special spring (12)	⑤	⑤	-											A16	
18	MD952231	BOLT,drive plate	5	5	5										#	A17	
19,20	MM408855	FLYWHEEL ASSY	1	1	1												Exc. 61SG,DA,DMG,ES, PA,TG,TT,WM
	MM430867	FLYWHEEL ASSY	1	1	-										A25		For 61DMG,ES,PA

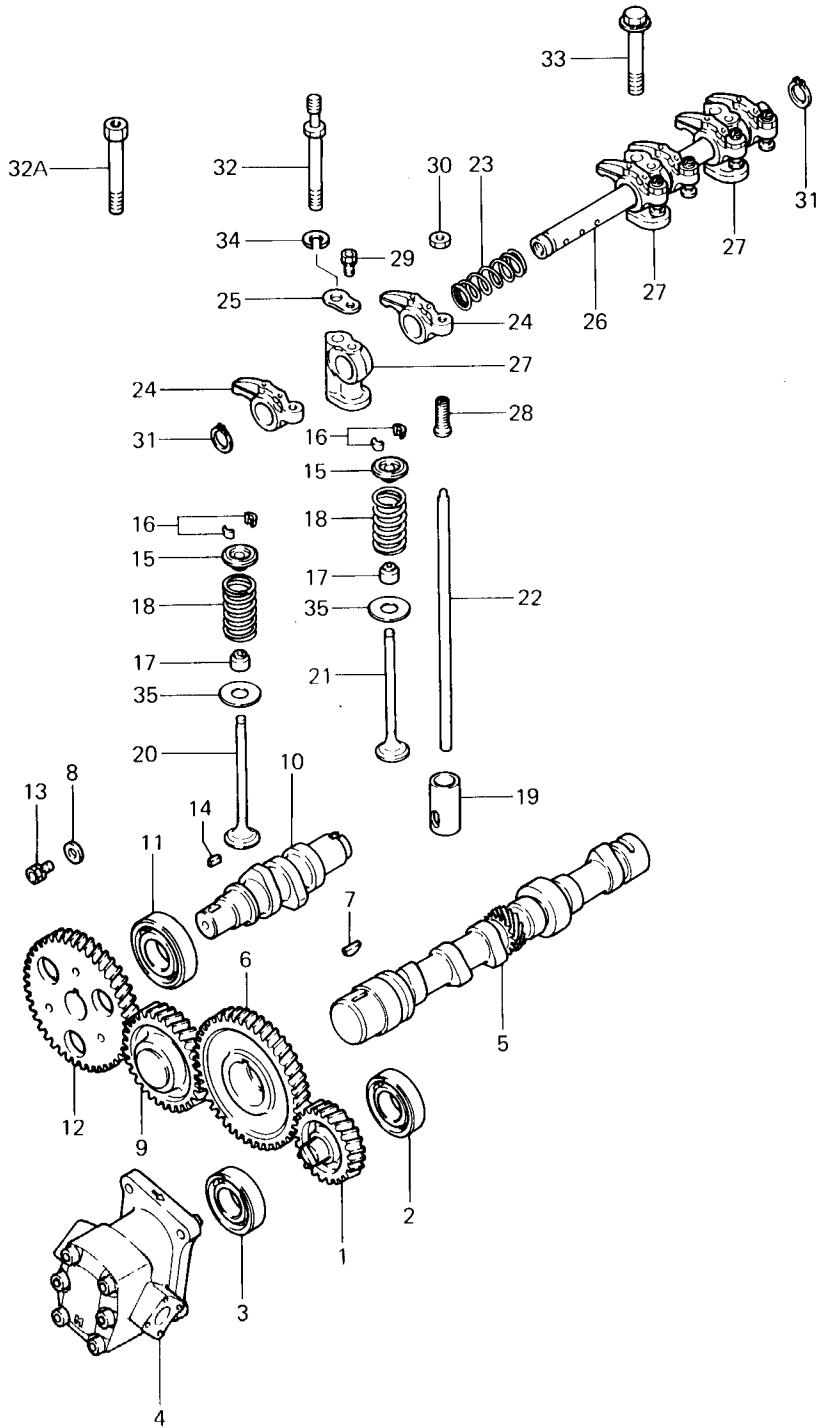
1-04 MAIN MOVING PARTS

1 ENGINE

見出番号 Key No.	部品番号 Part No.	部品名称 Part Name	型式および所要数 Model & No. Req'd										R / P	E / E	備考 Remarks		
			K 3B	K 3D	K 3E												
	MM40887	FLYWHEEL ASSY	-	1	-												For 61TG
	MM412924	FLYWHEEL ASSY	1	-	-												For 61SG
	MM412927	FLYWHEEL ASSY	-	1	-												For 61TT
	MM412946	FLYWHEEL ASSY	-	1	-										A24		For 61DA
20	MD024812	GEAR,ring	1	1	1												Exc.61WM
	MD000612	GEAR,ring	-	①	-												For 61WM
	MD030629	GEAR,ring	-	1	-									X	A39		For 61WM
21	MD002613	BEARING,ball	1	1	-												For 61AT,DM,SA
	MM412929	BEARING,ball	-	1	-												For 61TT

1-05 TIMING PARTS

1 ENGINE



1-05 TIMING PARTS

1 ENGINE

見出番号 Key No.	部品番号 Part No.	部品名称 Part Name	型式および所要数 Model & No. Req'd							R / P	E / E	備考 Remarks
			K	K	K							
			3B	3D	3E							
1	MM407265	GEAR,pressure oil pump	1	1	1							For 61ES,RA,SA,WH, K3E-61A
	MM409240	GEAR,pressure oil pump	-	1	1							For 61AM,EM,TT,WM
	MM409245	GEAR,pressure oil pump	-	1	-							For 61DM,DMG,DMH,SS
2	K7631161	BEARING,ball	-	①	-							For 61WM
	K7631160	BEARING,ball	①	①	①					O		For 61AM,EM,DM,RA, SA,SS,TT,WH,WM, K3E-61A
	MD712517	BEARING,ball	1	1	1					O	A41	For 61AM,EM,ES,DM, DMG,DMH,RA,SA,SS, TT,WH,WM,K3E-61A
3	K7831160	BEARING,ball	-	①	-							For 61WM
	MD700127	BEARING,ball	1	1	1					O		For 61AM,EM,ES,RA, SA,TT,WH,WM,K3E-61A
	K7631160	BEARING,ball	-	①	-							For 61DM,SS
	MD712517	BEARING,ball	-	1	-					O	A41	For 61DM,DMG,DMH,SS
4	MM413500	PUMP ASSY,hydraulic	-	1	-							For 61TT
5	MM408906	CAMSHAFT	1	1	1							
6	MM406722	GEAR,camshaft	1	1	1							
7	MF476215	KEY,woodruff (5×19)	1	1	1							
8	MD000425	WASHER	1	1	1							
9	MM408908	GEAR ASSY,idler	1	1	1							
10	MM408964	SHAFT,fuel injection pump cam	1	1	1							
11	MM406682	BEARING,ball	-	①	-							Exc. 61A,61FG
	MD703856	BEARING,ball	1	1	1					O		
12	MM406685	GEAR,fuel injection pump cam	1	1	1							
13	MF241251	BOLT,with washer (7T:8×16)	1	1	1							
14	MF476018	KEY,sunk (5×12)	1	1	1							
15	MD016482	RETAINER,valve spring	6	6	6							

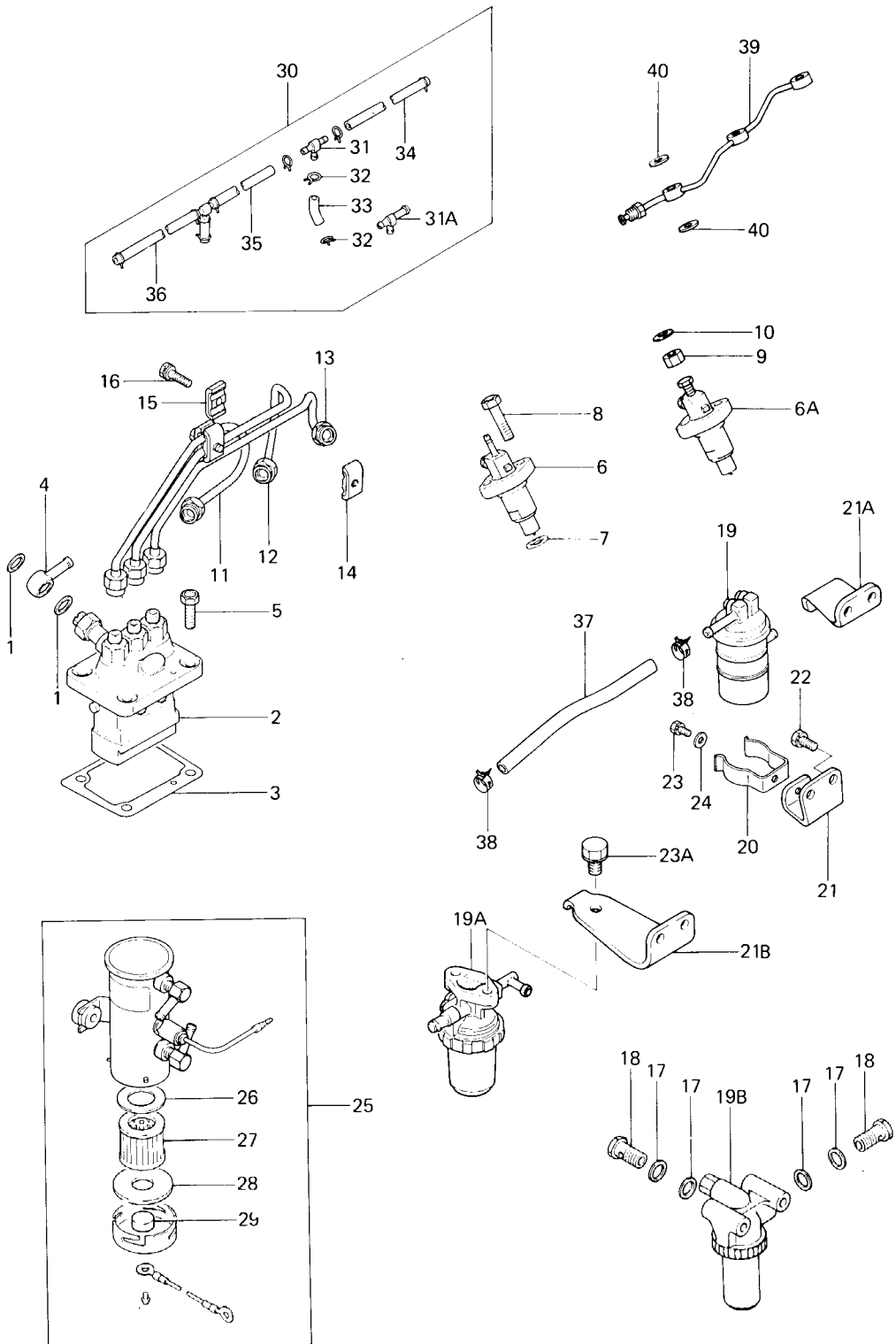
1-05 TIMING PARTS

1 ENGINE

見出番号 Key No.	部品番号 Part No.	部品名称 Part Name	型式および所要数 Model & No. Req'd										R / P	E / E	備考 Remarks
			K	K	K										
			3B	3D	3E										
16	MD016483	LOCK, valve spring retainer	12	12	12										
17	MD016490	SEAL, valve stem	6	6	6										
18	MM402381	SPRING, valve	6	6	6										
19	MM402737	TAPPET	6	6	6										
20	MM408450	VALVE, intake	3	3	3										
21	MM408455	VALVE, exhaust	3	3	3										
	MM408920	ROD, push	6	6	6										
23	MD000963	SPRING, rocker shaft LH	2	2	2										
24	MM406732	ARM, rocker	6	6	6										
25	MM406745	WASHER, seat	2	2	2										
26	MM408935	SHAFT ASSY, rocker	1	1	1										
27	MM314770	STAY, rocker	3	3	3										
28	K7231220	SCREW, adjusting	6	6	6										
29	MF241225	BOLT, with washer (7T: 6×16)	2	2	2										
30	MF430726	NUT, jam (4T: 10)	6	6	6										
31	MF522010	SNAP RING (19)	2	2	2										
32	MM408950	BOLT	2	2	2										Exc. 61WM
	MM408950	BOLT	-	②	-										For 61WM
	MM431987	BOLT, rocker shaft stay	-	②	-							X	A22		For 61WM
32A	MM432643	BOLT, rocker shaft stay	-	2	-							O	A42		For 61WM
33	MF244892	BOLT, with washer (7T: 10×70)	1	1	1										
34	MF450406	WASHER, spring (10)	2	2	2										
35	MM408459	SEAT, valve spring	-	6	-									A31	For 61DMG, DMH

2-01 FUEL SUPPLY PARTS

2 FUEL SYSTEM



2-01 FUEL SUPPLY PARTS

2 FUEL SYSTEM

見出番号 Key No.	部品番号 Part No.	部品名称 Part Name	型式および所要数 Model & No. Req'd										R / P	E / E	備考 Remarks
			K	K	K										
			3B	3D	3E										
1	MK66112000	WASHER,seal	2	2	2										
2	MM409015	PUMP ASSY,fuel injection	1	-	-										For 61A,SG DENSO
	MM409278	PUMP ASSY,fuel injection	1	-	-										For 61PA,SA DENSO
	MM433423	PUMP ASSY,fuel injection	1	-	-								A43		For 61ES DENSO
	MM409013	PUMP ASSY,fuel injection	-	1	-										For 61A,AM,AT,TT DENSO
	MM409054	PUMP ASSY,fuel injection	-	1	-										For 61WM DENSO
	MM409266	PUMP ASSY,fuel injection	-	1	-										For 61DA,DM,FG,PA, RG,SA,SS,TG DENSO
	MM409266	PUMP ASSY,fuel injection	-	①	-										For 61WH DENSO
	MM433894	PUMP ASSY,fuel injection	-	1	-								X A44		For 61WH DENSO
	MM413255	PUMP ASSY,fuel injection	-	1	-								A31		For 61DMG,DMH DENSO
	MM409842	PUMP ASSY,fuel injection	-	-	1										DENSO
3	MM409891	SHIM SET,adjusting	1	1	1										t=0.2,0.3,0.4,0.8
4	MM304916	COLLAR,union	1	1	1										Exc.61WM
5	MF100055	BOLT (4T:8×20)	4	4	4										
6	MM402971	NOZZLE & HOLDER ASSY	③	③	-										
	MM401110	NOZZLE & HOLDER ASSY	3	3	3								O A4		Exc.61AM,DM,DMG, DMH,SS,WM
6A	MM408880	NOZZLE & HOLDER ASSY	-	3	-										For 61AM,DM,DMG, DMH,SS,WM
7	K6515430	GASKET,nozzle holder	3	3	3										
8	MF101260	BOLT (7T:8×32)	6	6	6										
9	MF430006	NUT (4T:10)	-	3	-										For 61AM,SS
10	MF450005	WASHER,plain (8)	-	3	-										For 61AM,SS
11	MM409086	PIPE ASSY,fuel injection No.1	①	-	-										
	MM409094	PIPE ASSY,fuel injection No.1	1	1	1								O A5		Exc.61DMG,DMH

2-01 FUEL SUPPLY PARTS

2 FUEL SYSTEM

見出番号 Key No.	部品番号 Part No.	部品名称 Part Name	型式および所要数 Model & No. Req'd										R / P	E / E	備考 Remarks	
			K	K	K											
			3B	3D	3E											
	MM431567	PIPE ASSY,fuel injection No.1	-	1	-										A31	For 61DMG,DMH
12	MM409087	PIPE ASSY,fuel injection No.2	①	-	-											
	MM409095	PIPE ASSY,fuel injection No.2	1	1	1									O	A5	Exc.61DMG,DMH
	MM431568	PIPE ASSY,fuel injection No.2	-	1	-										A31	For 61DMG,DMH
13	MM409088	PIPE ASSY,fuel injection No.3	①	-	-											
	MM409096	PIPE ASSY,fuel injection No.3	1	1	1									O	A5	Exc.61DMG,DMH
	MM431569	PIPE ASSY,fuel injection No.3	-	1	-										A31	For 61DMG,DMH
14	MM400955	CLAMP (A)	②	②	-											
	MM430703	CLAMP (A)	2	2	2									O		
15	MM400956	CLAMP (B)	②	②	-											
	MM430614	CLAMP (B)	2	2	2									O		
16	MF243628	BOLT (7T:6×18)	2	2	2											
17	MK66114000	WASHER,seal	-	4	-											For 61WM
18	MM100090	BOLT,eye (14)	-	②	-											For 61WM
	MH037087	BOLT,eye (14)	-	2	-									O		For 61WM
19	MM400861	FILTER ASSY,fuel- MM435190	1	1	1											Exc.61DM,DMG,DMH, FG,PA,RA,WM (61AT:2pcs)
	MM400861	FILTER ASSY,fuel	-	①	-											For 61WH
19A	MM408898	FILTER ASSY,fuel	1	1	-									X	A45	For 61PA,WH
	MM408872	FILTER ASSY,fuel	-	1	-											For 61TT
19B	K9442113	FILTER ASSY,fuel	-	1	-											For 61WM
20	MM400880	CLAMP,filter	1	1	1											Exc.61DM,DMG,DMH, FG,PA,RA,WH,WM
	MM400880	CLAMP,filter	-	①	-										A45	For 61WH
21	MM409121	SUPPORT,filter	1	1	1											Exc.61DM,DMG,DMH, FG,PA,RA,TG,WH,WM

2-01 FUEL SUPPLY PARTS

2 FUEL SYSTEM

見出番号 Key No.	部品番号 Part No.	部品名称 Part Name	型式および所要数 Model & No. Req'd										R / P	E / E	備考 Remarks	
			K	K	K											
			3B	3D	3E											
	MM409121	SUPPORT,filter	-	①	-											For 61TG,WH
21A	MM433032	SUPPORT,filter	-	1	-									X	A46	For 61TG
21B	MM431553	SUPPORT,filter	1	1	-									X	A45	For 61PA,WH
22	MF240051	BOLT,with washer (4T:8×16)	2	2	2											Exc.61DM,DMG,DMH, FG,RA,WM
23	MF241223	BOLT,with washer (7T:6×12)	1	1	1											Exc.61DM,DMG,DMH, FG,PA,RA,WH,WM
	MF241223	BOLT,with washer (7T:6×12)	-	①	-											For 61WH
23A	MF240080	BOLT,with washer (4T:10×20)	1	1	-									X	A45	For 61PA,WH
24	MF450004	WASHER,plain (6)	1	1	1											Exc.61DM,DMG,DMH, FG,PA,RA,WH,WM
	MF450004	WASHER,plain (6)	-	①	-										A45	For 61WH
25	MD025280	PUMP ASSY,electric fuel	1	1	1											For 61ES,KL,SA,WH
	MM200542	PUMP ASSY,electric fuel	-	-	1											For 61EM
	MM408993	PUMP ASSY,electric fuel	-	1	-											For 61WM
	MM408995	PUMP ASSY,electric fule	-	①	-											For 61TG
	MM408998	PUMP ASSY,electric fuel	-	1	1									X	A6	For 61AT,RA,TG
	MM408999	PUMP ASSY,electric fuel	-	1	-											For 61RG
26	MM409881	GASKET (coil side)	-	1	1											For 61AT,EM,RA,RG, TG,WM
27	MM408992	FILTER,fuel pump	-	1	1											For 61AT,EM,RA,RG, TG,WM
28	MM409880	GASKET (cover side)	-	1	1											For 61AT,EM,RA,RG, TG,WM
29	MM409882	MAGNET	-	1	1											For 61AT,EM,RA,RG, TG,WM
30~36	MM409102	PIPE ASSY,fuel return	1	-	-											For 61SG
30~35	MM409124	PIPE ASSY,fuel return	-	1	-											For 61TG
	MM409103	PIPE ASSY,fuel return	1	1	1											Exc.61AM,DM,DMG, DMH,SG,SS,TG,WM
31	MM100088	JOINT	2	2	-											For 61SG,TG

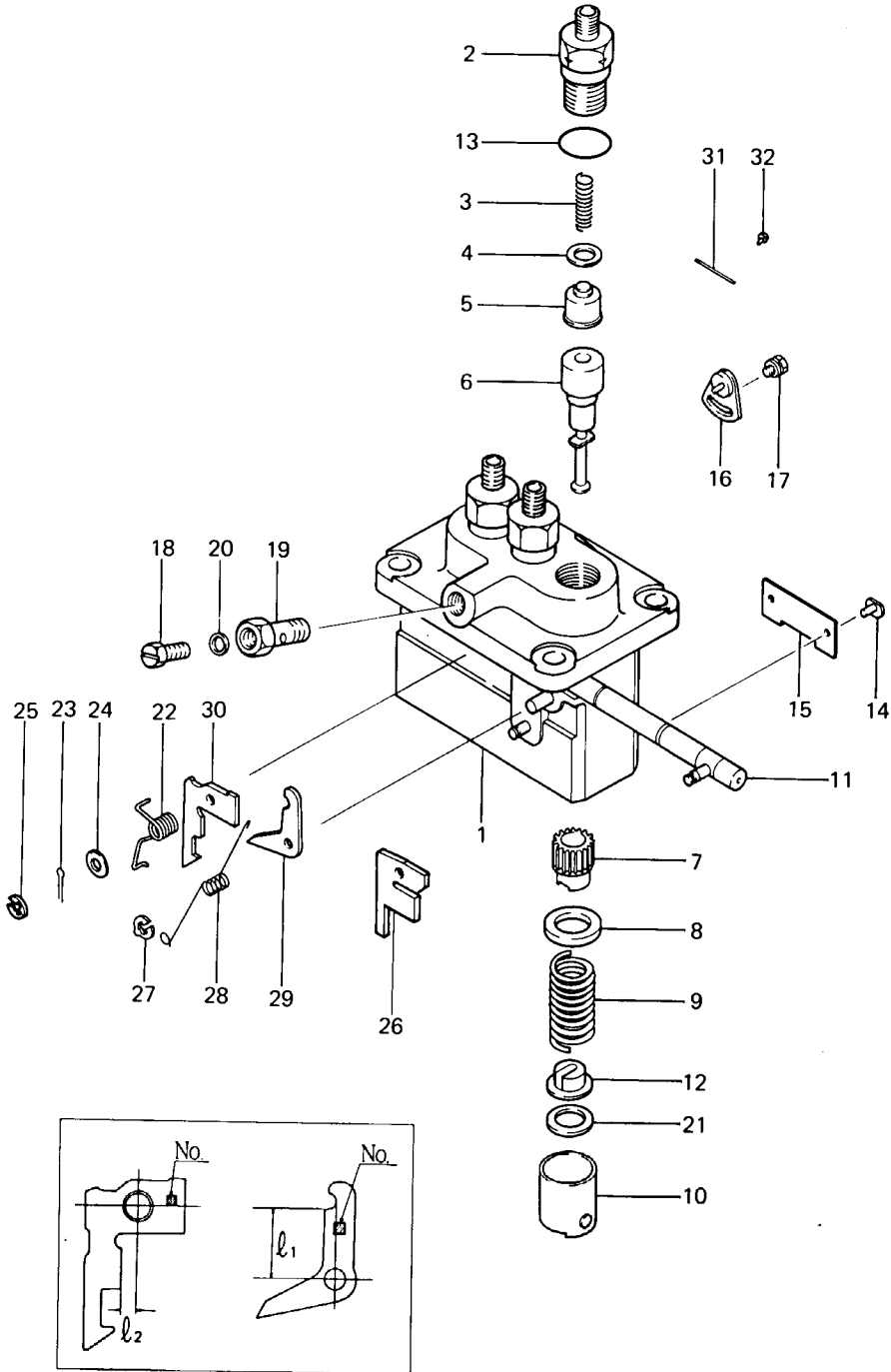
2-01 FUEL SUPPLY PARTS

2 FUEL SYSTEM

見出番号 Key No.	部品番号 Part No.	部品名称 Part Name	型式および所要数 Model & No. Req'd										R / P	E / E	備考 Remarks	
			K	K	K											
			3B	3D	3E											
	MM100088	JOINT	1	1	1											Exc. 61AM,DM,DMG, DMH,SG,SS,TG,WM
31A	MM400886	JOINT	1	1	1											Exc. 61AM,DM,DMG, DMH,SG,SS,TG,WM
32	MM100089	CLAMP,hose	8	8	8											Exc. 61AM,DM,DMG, DMH,SG,SS,WM
	MM100089	CLAMP,hose	10	-	-											For 61SG
33	MM413132	PIPE,rubber	2	2	2											Exc. 61AM,DMG,DMH, SS,WM
34	MM413107	PIPE,rubber	1	1	1											Exc. 61AM,DMG,DMH, SS,WM
35	MM413104	PIPE,rubber	1	1	1											Exc. 61AM,DMG,DMH, SS,WM
36	MM413119	PIPE,rubber	1	-	-											For 61SG
37	MM400904	HOSE ASSY,fuel	1	1	1											Exc. 61DM,DMG,DMH, FG,RA,RG,SS,WM
	MM400909	HOSE ASSY,fuel	-	1	-											For 61RG
38	MS660004	CLAMP,hose (13)	-	②	-											For 61RG,61TG
	MS660163	CLIP,hose (11.6)	2	2	2											Exc. 61DM,DMG,DMH, FG,RA,SS,WM
39	MM409077	PIPE,fuel return	-	①	-											For 61WM
	MM409742	PIPE,fuel return	-	1	-									X	A7	For 61DM,DMG,DMH,WM
40	MK66108000	WASHER,seal	-	6	-											For 61DM,DMG,DMH,WM

2-02 FUEL INJECTION PUMP

2 FUEL SYSTEM



2-02 FUEL INJECTION PUMP

2 FUEL SYSTEM

見出番号 Key No.	部品番号 Part No.	部品名称 Part Name	型式および所要数 Model & No. Req'd										R / P	E / E	備考 Remarks		
			K	K	K												
			3B	3D	3E												
1~32	MM409015	PUMP ASSY,fuel injection	1	-	-												For 61A,SG DENSO
	MM409278	PUMP ASSY,fuel injection	1	-	-												For 61SA DENSO
	MM433423	PUMP ASSY,fuel injection	1	-	-											A43	For 61ES DENSO
	MM409266	PUMP ASSY,fuel injection	-	1	-												For 61DM,FG,RG,SA, SS,TT DENSO
	MM409266	PUMP ASSY,fuel injection	-	①	-												For 61WH DENSO
	MM433894	PUMP ASSY,fuel injection	-	1	-											X A44	For 61WH DENSO
	MM409013	PUMP ASSY,fuel injection	-	1	-												For 61A,AM,AT,TT DENSO
	MM409013	PUMP ASSY,fuel injection	-	①	-												For 61WM DENSO
	MM409054	PUMP ASSY,fuel injection	-	1	-											O	For 61WM DENSO
	MM413255	PUMR ASSY,fuel injection	-	1	-											A31	For 61DMG,DMH DENSO
	MM409842	PUMP ASSY,fuel injection	-	-	1												DENSO
1	MM501159	HOUSING SUB ASSY,pump	1	1	-												For 61A,AM,AT,SG, TT,WM
	MM501312	HOUSING SUB ASSY,pump	1	1	1												Exc. 61AM,AT,SG,TT,WM K3B.D-61A
2	MM500224	HOLDER,delivery valve	③	③	-												
	MM501507	HOLDER,delivery valve	3	3	3											O	
3	MM501161	SPRING,delivery valve	3	3	-												Exc. 61DMG,DMH'
	MM501047	SPRING,delivery valve	-	3	3											O	For 61DMG,DMH, K3E:all
4	MM500336	GASKET,delivery valve	3	3	3												
5	MM500227	DELIVERY VALVE SUB ASSY	3	3	3												Exc. 61ES
	MM501046	DELIVERY VALVE SUB ASSY	3	-	-												For 61ES
6	MM501200	ELEMENT ASSY,pump	-	3	-												For 61A,AM,AT,DMG, DMH,TT,WM
	MM501200	ELEMENT ASSY,pump	-	③	-												Exc. 61A,AM,AT,DMG, DMH,TT,WM
	MM501179	ELEMENT ASSY,pump	-	3	-											X A47	Exc. 61A,AM,AT,DMG, DMH,TT,WM

2-02 FUEL INJECTION PUMP

2 FUEL SYSTEM

見出番号 Key No.	部品番号 Part No.	部品名称 Part Name	型式および所要数 Model & No. Req'd										R / P	E / E	備考 Remarks	
			K	K	K											
			3B	3D	3E											
	MM501157	ELEMENT ASSY,pump	3	-	-											Exc.61ES
	MM501331	ELEMENT ASSY,pump	3	-	-											For 61ES
	MM501254	ELEMENT ASSY,pump	-	-	3											
7	MM500229	SLEEVE,plunger control	3	3	3											
8	MM501098	SEAT,spring upper	3	3	3											
9	MM500360	SPRING,pump plunger	3	3	3											
10	MM500230	TAPPET SUB ASSY	3	3	3											
11	MM501207	RACK ASSY,control	1	1	-											For 61A,AM,AT,SG, TT,WM
	MM501311	RACK ASSY,control	1	1	1											Exc.61AM,AT,SG,TT,WM KSB.D-61A
12	MM500316	SEAT,spring lower	3	3	3											
13	MM500438	O-RING	3	3	3											
14	MM500231	PIN,tappet guide	3	3	3											
15	MM501162	PLATE	1	1	1											
16	MM501077	PLATE ASSY,adjusting	2	2	2											
17	MM501244	BOLT,with washer	2	2	2							X	A8			
18	MM501152	SCREW,air breather	1	1	1											
19	MM500403	SCREW,follow	①	①	-											
	MM501320	SCREW,follow	1	1	1							X	A8			
20	MM500114	WASHER	1	1	1											
21	MM500299	SHIM,plate t=0.6	C	C	C											
	MM500309	SHIM,plate t=0.2	C	C	C											
	MM500310	SHIM,plate t=0.3	C	C	C											
	MM500311	SHIM,plate t=0.4	C	C	C											

2-02 FUEL INJECTION PUMP

2 FUEL SYSTEM

見出番号 Key No.	部品番号 Part No.	部品名称 Part Name	型式および所要数 Model & No. Req'd										R / P	E / E	備考 Remarks		
			K 3B	K 3D	K 3E												
	MM500312	SHIM,plate t=0.5	C	C	C												
	MM500314	SHIM,plate t=0.25	C	C	C												
	MM500315	SHIM,plate t=0.35	C	C	C												
	MM501246	SHIM,plate t=0.45	C	C	C												
	MM501364	SHIM,plate t=0.55	C	C	C												
	MM501365	SHIM,plate t=0.65	C	C	C												
22	MM501073	SPRING,smoke set	1	1	-												Exc.61ES
	MM501336	SPRING,smoke set	1	-	-												For 61ES
	MM501459	SPRING,smoke set	-	1	-												For 61WM
	MM501247	SPRING,smoke set	-	-	1												
23	MM500431	PIN,split	①	①	-												A18
24	MM500928	WASHER,plate	①	①	-												A18
25	MM501496	E-RING	1	1	1								X				A19
26	MM501602	STOPPER mark:64	C	-	-												For 61A,SG
	MM501603	STOPPER mark:65	C	-	-												For 61A,SG
	MM501060	STOPPER mark:66	C	-	-												For 61A,SG
	MM501604	STOPPER mark:67	C	-	-												For 61A,SG
	MM501605	STOPPER mark:68	C	-	-												For 61A,SG
	MM501061	STOPPER mark:69	C	-	-												For 61A,SG
	MM501606	STOPPER mark:70	C	-	-												For 61A,SG
	MM501607	STOPPER mark:71	C	-	-												For 61A,SG
	MM501062	STOPPER mark:72	C	-	-												For 61A,SG
	MM501608	STOPPER mark:73	C	C	-												For 61SG,WM,K3B-61A,

2-02 FUEL INJECTION PUMP

2 FUEL SYSTEM

見出番号 Key No.	部品番号 Part No.	部品名称 Part Name	型式および所要数 Model & No. Req'd										R / P	E / E	備考 Remarks		
			K 3B	K 3D	K 3E												
	MM501609	STOPPER mark:74	C	C	-												For 61SG,WM,K3B-61A
	MM501063	STOPPER mark:75	C	C	-												For 61SG,WM,K3B-61A
	MM501610	STOPPER mark:76	C	C	-												For 61SG,WM,K3B-61A
	MM501611	STOPPER mark:77	C	C	-												For 61SG,WM,K3B-61A
	MM501064	STOPPER mark:78	C	C	-												For 61SG,WM,K3B-61A
	MM501612	STOPPER mark:79	-	C	-												For 61WM
	MM501613	STOPPER mark:80	-	C	-												For 61WM
	MM501065	STOPPER mark:81	-	C	-												For 61WM
	MM501614	STOPPER mark:82	-	C	-												For 61WM
	MM501615	STOPPER mark:83	-	C	-												For 61WM
	MM501066	STOPPER mark:84	-	C	-												For 61WM
	MM501616	STOPPER mark:85	-	C	-												For 61WM
	MM501617	STOPPER mark:86	-	C	-												For 61WM
	MM501067	STOPPER mark:87	-	C	-												For 61WM
	MM501637	STOPPER mark:58	-	C	-												For 61A,AM,AT,TT
	MM501638	STOPPER mark:59	-	C	-												For 61A,AM,AT,TT
	MM501225	STOPPER mark:60	-	C	-												For 61A,AM,AT,TT
	MM501639	STOPPER mark:61	-	C	-												For 61A,AM,AT,TT
	MM501640	STOPPER mark:62	-	C	-												For 61A,AM,AT,TT
	MM501226	STOPPER mark:63	-	C	-												For 61A,AM,AT,TT
	MM501641	STOPPER mark:64	-	C	-												For 61A,AM,AT,TT
	MM501642	STOPPER mark:65	-	C	-												For 61A,AM,AT,TT
	MM501227	STOPPER mark:66	-	C	-												For 61A,AM,AT,TT

2-02 FUEL INJECTION PUMP

2 FUEL SYSTEM

見出番号 Key No.	部品番号 Part No.	部品名称 Part Name	型式および所要数 Model & No. Req'd										R / P	E / E	備考 Remarks
			K	K	K										
			3B	3D	3E										
	MM501643	STOPPER mark:67	-	C	-										For 61A,AM,AT,TT
	MM501644	STOPPER mark:68	-	C	-										For 61A,AM,AT,TT
	MM501228	STOPPER mark:69	-	C	-										For 61A,AM,AT,TT
	MM501645	STOPPER mark:70	-	C	-										For 61A,AM,AT,TT
	MM501646	STOPPER mark:71	-	C	-										For 61A,AM,AT,TT
	MM501229	STOPPER mark:72	-	C	-										For 61A,AM,AT,TT
27	MM500507	E-RING	1	1	1										Exc. 61AM,AT,ES,SG, TT,WM,K3B-61A, K3D-61A
28	MM501256	SPRING,angleich set	C	C	-										Exc. 61A,AM,AT,SG, TT,WH,WM
	MM501382	SPRING,angleich set	-	C	C										For 61ES,WH K3E:all
29	MM501257	PLATE,angleich set mark:1	C	C	-										Exc. 61A,AM,AT,SG, TT,WM
	MM501258	PLATE,angleich set mark:2	C	C	-										Exc. 61A,AM,AT,SG, TT,WM
	MM501259	PLATE,angleich set mark:3	C	C	-										Exc. 61A,AM,AT,SG, TT,WM
	MM501260	PLATE,angleich set mark:4	C	C	-										Exc. 61A,AM,AT,SG, TT,WM
	MM501261	PLATE,angleich set mark:5	C	C	-										Exc. 61A,AM,AT,SG, TT,WM
	MM501497	PLATE,angleich set mark:6	-	-	C										
	MM501498	PLATE,angleich set mark:7	-	-	C										
	MM501499	PLATE,angleich set mark:8	-	-	C										
	MM501500	PLATE,angleich set mark:9	-	-	C										
	MM501501	PLATE,angleich set mark:10	-	-	C										
30	MM501263	PLATE,smoke set mark:53	C	-	-										For 61PA,SA
	MM501563	PLATE,smoke set mark:54	C	-	-										For 61PA,SA
	MM501264	PLATE,smoke set mark:55	C	-	-										For 61PA,SA
	MM501564	PLATE,smoke set mark:56	C	-	-										For 61PA,SA

2-02 FUEL INJECTION PUMP

2 FUEL SYSTEM

見出番号 Key No.	部品番号 Part No.	部品名称 Part Name	型式および所要数 Model & No. Req'd										R / P	E / E	備考 Remarks		
			K 3B	K 3D	K 3E												
	MM501265	PLATE,smoke set mark:57	C	-	-												For 61ES,PA,SA
	MM501565	PLATE,smoke set mark:58	C	-	-												For 61ES,PA,SA
	MM501266	PLATE,smoke set mark:59	C	-	-												For 61ES,PA,SA
	MM501566	PLATE,smoke set mark:60	C	-	-												For 61ES,PA,SA
	MM501267	PLATE,smoke set mark:61	C	-	C												For 61ES,PA,SA, K3E:all
	MM501567	PLATE,smoke set mark:62	C	-	C												For 61ES,PA,SA, K3E:all
	MM501268	PLATE,smoke set mark:63	C	-	C												For 61ES,PA,SA, K3E:all
	MM501568	PLATE,smoke set mark:64	C	-	C												For 61ES,PA,SA, K3E:all
	MM501269	PLATE,smoke set mark:65	C	-	C												For 61ES,PA,SA, K3E:all
	MM501569	PLATE,smoke set mark:66	C	-	C												For 61ES,PA,SA, K3E:all
	MM501270	PLATE,smoke set mark:67	C	-	C												For 61ES,PA,SA, K3E:all
	MM501570	PLATE,smoke set mark:68	C	-	C												For 61ES,K3E:all
	MM501271	PLATE,smoke set mark:69	C	-	C												For 61ES,K3E:all
	MM501571	PLATE,smoke set mark:70	C	-	C												For 61ES,K3E:all
	MM501272	PLATE,smoke set mark:71	C	-	C												For 61ES,K3E:all
	MM501572	PLATE,smoke set mark:72	-	-	C												
	MM501273	PLATE,smoke set mark:73	-	-	C												
	MM501573	PLATE,smoke set mark:74	-	-	C												
	MM501274	PLATE,smoke set mark:75	-	-	C												
	MM501582	PLATE,smoke set mark:54	-	C	-												For 61DMG,DMH
	MM501343	PLATE,smoke set mark:55	-	C	-												For 61DMG,DMH
	MM501583	PLATE,smoke set mark:56	-	C	-												For 61DMG,DMH
	MM501344	PLATE,smoke set mark:57	-	C	-												For 61DMG,DMH,WH

2-02 FUEL INJECTION PUMP

2 FUEL SYSTEM

見出番号 Key No.	部品番号 Part No.	部品名称 Part Name	型式および所要数 Model & No. Req'd										R / P	E / E	備考 Remarks	
			K 3B	K 3D	K 3E											
	MM501584	PLATE,smoke set mark:58	-	C	-											For 61DMG,DMH,WH
	MM501345	PLATE,smoke set mark:59	-	C	-											For 61DMG,DMH,WH
	MM501585	PLATE,smoke set mark:60	-	C	-											Exc.61A,AM,AT,TT,WH
	MM501346	PLATE,smoke set mark:61	-	C	-											Exc.61A,AM,AT,TT,WH
	MM501586	PLATE,smoke set mark:62	-	C	-											Exc.61A,AM,AT,TT,WH
	MM501347	PLATE,smoke set mark:63	-	C	-											Exc.61A,AM,AT,TT,WH
	MM501587	PLATE,smoke set mark:64	-	C	-											Exc.61A,AM,AT,TT,WH
	MM501348	PLATE,smoke set mark:65	-	C	-											Exc.61A,AM,AT,TT,WH
	MM501588	PLATE,smoke set mark:66	-	C	-											Exc.61A,AM,AT,TT,WH
	MM501349	PLATE,smoke set mark:67	-	C	-											Exc.61A,AM,AT,TT,WH
	MM501589	PLATE,smoke set mark:68	-	C	-											Exc.61A,AM,AT,TT,WH
	MM501350	PLATE,smoke set mark:69	-	C	-											Exc.61A,AM,AT,DMG, DMH,TT,WH
	MM501590	PLATE,smoke set mark:70	-	C	-											Exc.61A,AM,AT,DMG, DMH,TT,WH
	MM501351	PLATE,smoke set mark:71	-	C	-											Exc.61A,AM,AT,DMG, DMH,TT,WH
	MM501591	PLATE,smoke set mark:72	-	C	-											Exc.61A,AM,AT,DMG, DMH,TT,WH
	MM501352	PLATE,smoke set mark:73	-	C	-											For 61DA,DM,FG,PA, RG,SA,SS,TG
	MM501592	PLATE,smoke set mark:74	-	C	-											For 61DA,DM,FG,PA, RG,SA,SS,TG
31	MM501340	PLATE,name	-	1	-											For 61DA,DM,FG,PA, RG,SA,SS,TG
	MM501340	PLATE,name	-	①	-											For 61WH
	MM501953	PLATE,name	-	1	-							X	A44			For 61WH
	MM501460	PLATE,name	-	1	-											For 61WM
	MM501230	PLATE,name	-	1	-											For 61A,AM,AT,TT
	MM501765	PLATE,name	-	1	-											For 61DMG,DMH

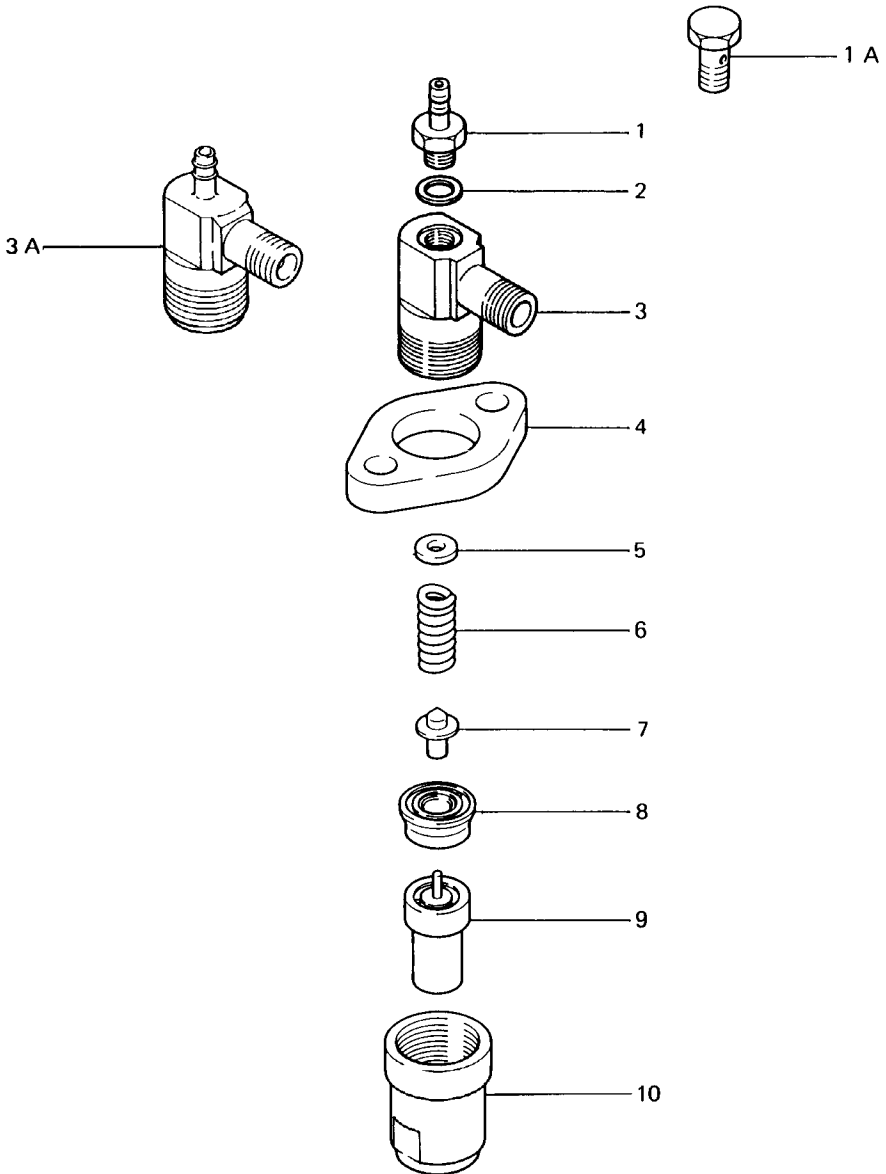
2-02 FUEL INJECTION PUMP

2 FUEL SYSTEM

見出番号 Key No.	部品番号 Part No.	部品名称 Part Name	型式および所要数 Model & No. Req'd							R / P	E / E	備考 Remarks
			K 3B	K 3D	K 3E							
	MM501241	PLATE,name	1	-	-							For 61A,SG
	MM501651	PLATE,name	1	-	-							For 61PA,SA
	MM501378	PLATE,name	1	-	-							For 61ES
	MM501518	PLATE,name	-	-	1							
32	MM500429	RIVET	2	2	2							

2-03 NOZZLE & NOZZLE HOLDER

2 FUEL SYSTEM



2-03 NOZZLE & NOZZLE HOLDER

2 FUEL SYSTEM

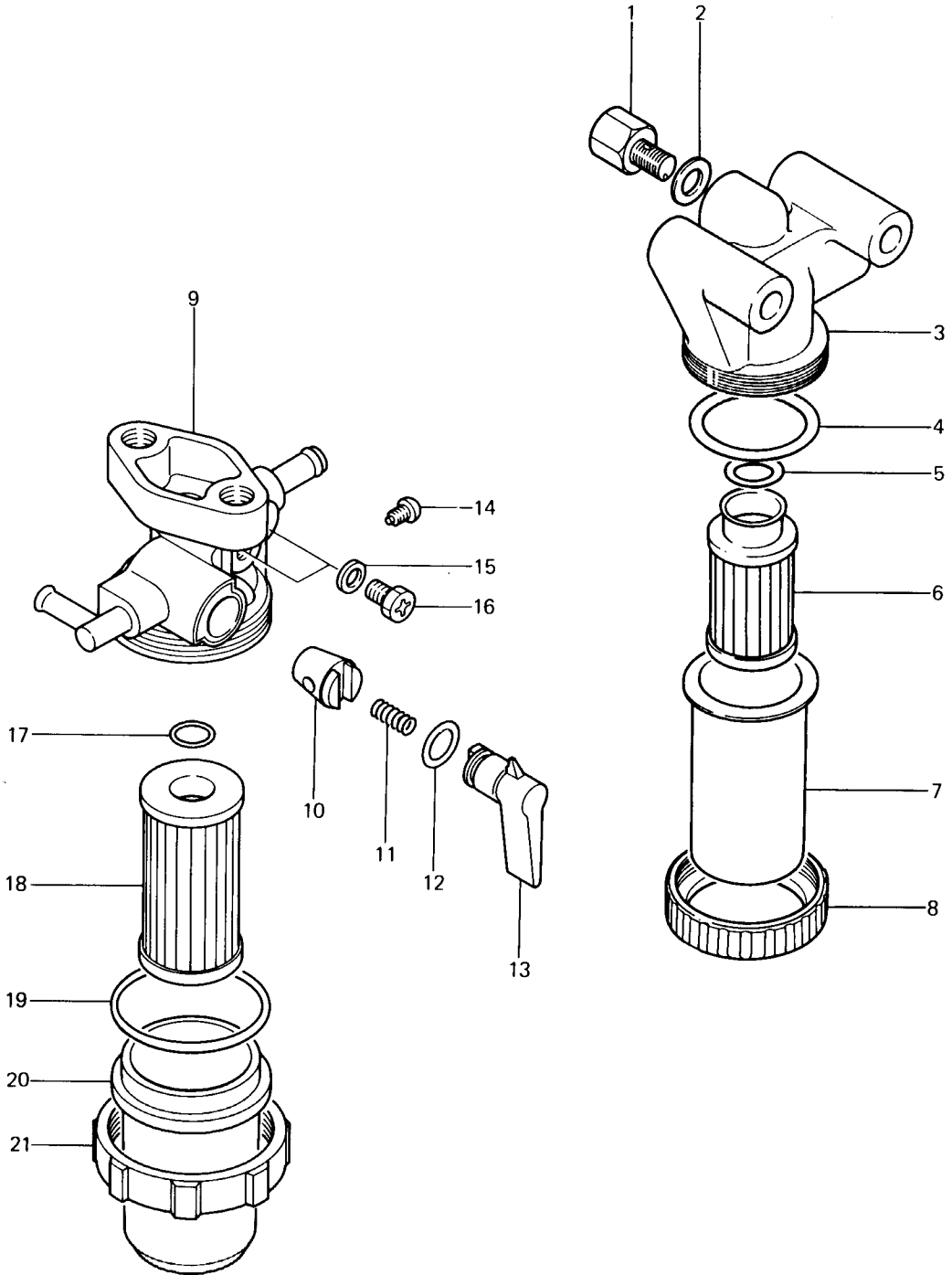
見出番号 Key No.	部品番号 Part No.	部品名称 Part Name	型式および所要数 Model & No. Req'd										R / P	E / E	備考 Remarks		
			K 3B	K 3D	K 3E												
1~10	MM402971	NOZZLE & HOLDER ASSY	-	③	-												For 61TG
1A~10	MM408880	NOZZLE & HOLDER ASSY	-	3	-												For 61AM,DM,DMG, DMH,SS,WM
3A~10	MM401110	NOZZLE & HOLDER ASSY	3	3	3								O	A9		Exc.61AM,DM,DMG, DMH,SS,WM	
1	MM500909	NIPPLE	-	③	-												For 61TG
1A	MM501100	SCREW,hollow	-	1	-												For 61AM,DM,DMG, DMH,SS,WM
2	MM500441	WASHER	-	③	-												For 61TG
3	MM500910	BODY	-	③	-												For 61TG
	MM501245	BODY	-	3	-												For 61AM,DM,DMG, DMH,SS,WM
3A	MM501276	BODY	3	3	3								#	A9		Exc.61AM,DM,DMG, DMH,SS,WM	
4	MM500907	FLANGE	-	③	-												For 61TG,61WM
	MM501240	FLANGE	3	3	3								O	A9			
5	MM500785	WASHER 1.3t	C	C	C												
	MM500786	WASHER 1.35t	C	C	C												
	MM500787	WASHER 1.4t	C	C	C												
	MM500795	WASHER 0.9t	C	C	C												
	MM500796	WASHER 1.0t	C	C	C												
	MM500797	WASHER 1.1t	C	C	C												
	MM500798	WASHER 1.2t	C	C	C												
	MM500799	WASHER 0.1t	C	C	C												
6	MM500136	SPRING,pressure	3	3	3												
7	MM500135	PIN,pressure	3	3	3												
8	MM500137	PIECE,distance	3	3	3												
9	MM300152	NOZZLE ASSY	3	3	3												

2-03 NOZZLE & NOZZLE HOLDER

2 FUEL SYSTEM

見出番号 Key No.	部品番号 Part No.	部品名称 Part Name	型式および所要数 Model & No. Req'd										R / P	E / E	備考 Remarks	
			K 3B	K 3D	K 3E											
10	MM500908	NUT,retaining	3	3	3											

2-04 FUEL FILTER (For 61WM)



2-04 FUEL FILTER (For 61WM)

2 FUEL SYSTEM

見出番号 Key No.	部品番号 Part No.	部品名称 Part Name	型式および所要数 Model & No. Req'd										R / P	E / E	備考 Remarks
			K	K	K										
			3B	3D	3E										
1~8	K9442113	FILTER ASSY,fuel	-	1	-										For 61WM
1	K9443500	SCREW,air vent	-	1	-										
2	MK66108000	WASHER,seal	-	1	-										
3	K9443420	BODY,filter	-	1	-										
4	MM510020	O-RING	-	1	-										
5	K7643470	O-RING	-	1	-										
6	K7643461	ELEMENT	-	1	-										
7	K7643431	CUP ASSY,filter	-	1	-										
8	K9443440	RING,retainer	-	1	-										
9~21	MM408872	FILTER ASSY,fuel	-	1	-										For 61TT
	MM408898	FILTER ASSY,fuel	1	1	-							A45			For 61PA,WH
9,10	MM408873	BODY SUB ASSY,fuel filter	-	1	-										For 61TT
	MM408894	BODY SUB ASSY,fuel filter	1	1	-										For 61PA,WH
10	*	VALVE	1	1	-										For 61PA,TT,WH Non sale
11	MM404873	SPRING,valve	1	1	-										For 61PA,TT,WH
12	MM404874	O-RING,valve	1	1	-										For 61PA,TT,WH
13	MM404871	LEVER	1	1	-										For 61PA,TT,WH
14	MM404875	SCREW	1	1	-										For 61PA,TT,WH
15	MM404884	PACKING	2	2	-										For 61PA,TT,WH
16	MM404880	SCREW,air vent	2	2	-										For 61PA,TT,WH
17~19	MM409892	SERVICE KIT,fuel filter	-	1	-										For 61TT
17	MM404881	O-RING,element	1	1	-										For 61PA,TT,WH
18	MM404879	ELEMENT,30 micron 129cm	1	1	-										For 61PA,TT,WH

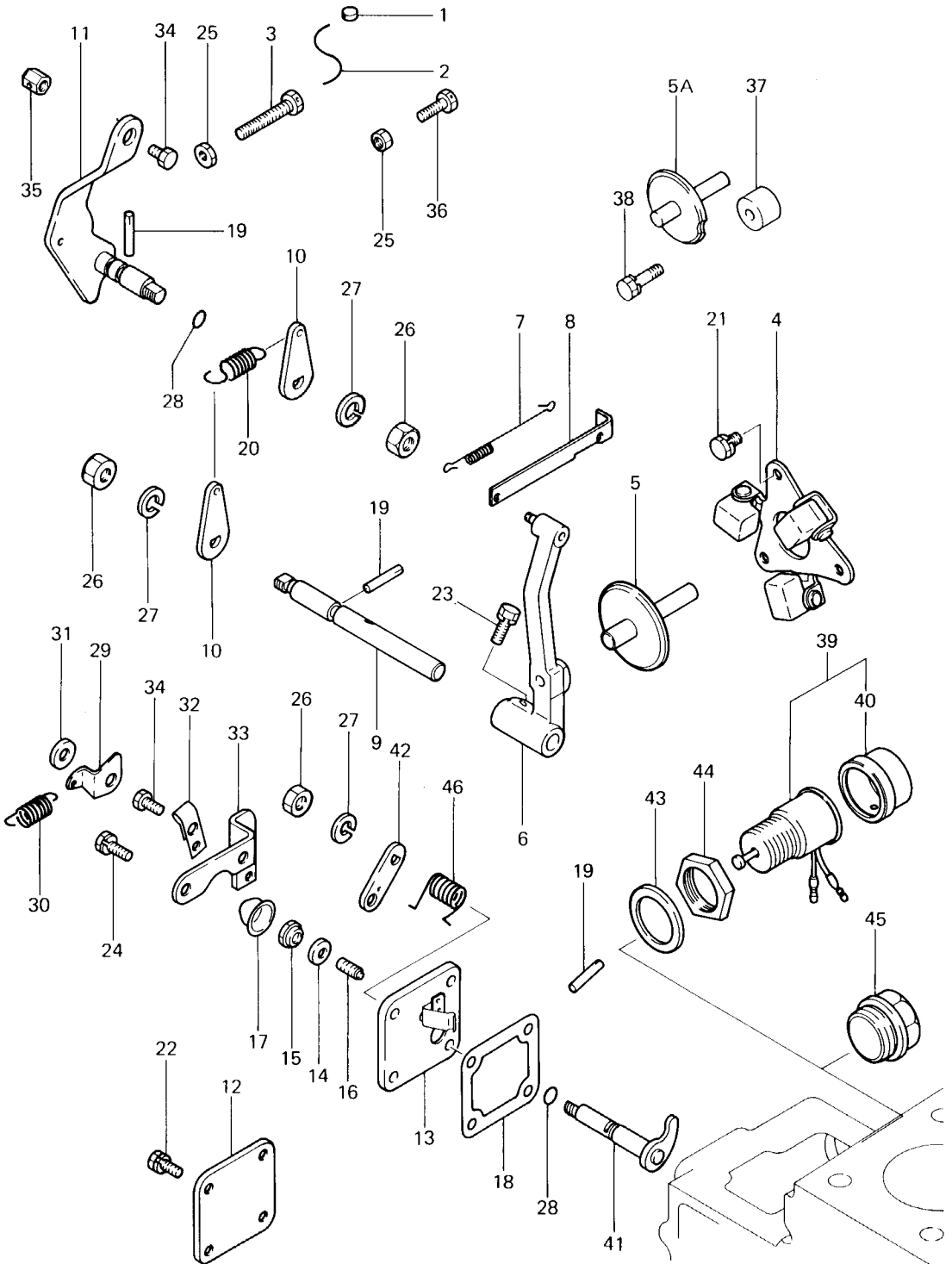
2-04 FUEL FILTER (For 61WM)

2 FUEL SYSTEM

見出番号 Key No.	部品番号 Part No.	部品名称 Part Name	型式および所要数 Model & No. Req'd										R / P	E / E	備考 Remarks	
			K 3B	K 3D	K 3E											
19	MM404878	O-RING,filter cup	1	1	-											For 61PA,TT,WH
20	MM404876	CUP,filter	-	1	-											For 61TT
	MM400889	CUP,filter	1	1	-											For 61PA,WH
21	MM404877	NUT,ring	1	1	-											For 61PA,TT,WH

3-01 GOVERNOR PARTS

3 GOVERNOR SYSTEM



3-01 GOVERNOR PARTS

3 GOVERNOR SYSTEM

見出番号 Key No.	部品番号 Part No.	部品名称 Part Name	型式および所要数 Model & No. Req'd										R / P	E / E	備考 Remarks			
			K	K	K													
			3B	3D	3E													
1	MK99200001	METAL,sealing	1	1	1													
2	MK99300140	WIRE	1	1	1													
3	MM401080	BOLT,high speed set	1	1	1													
4	MM407000	WEIGHT ASSY,governor	①	①	-													
	MM407006	WEIGHT ASSY,governor	1	1	1								O				Exc.61DMG,DMH	
	MM430637	WEIGHT ASSY,governor	-	1	-													For 61DMG,DMH
5	MM407010	SHAFT ASSY,sliding	1	1	1													Exc.61DA,DMG,DMH, SA,SG,WM
	MM407010	SHAFT ASSY,sliding	-	①	-													For 61WM
	MM430927	SHAFT ASSY,sliding	1	1	-								O	A48				For 61DA,SA,SG,WM
5A	MM430740	SHAFT ASSY,sliding	-	1	-										A31			For 61DMG,DMH
6	MM407028	LEVER ASSY,governor	1	1	1													
7	MM409152	SPRING,tie rod	1	1	-													For 61A,AM,AT,SG, TT,WM
7A	MM409182	SPRING,tie rod	1	1	1													Exc.61AM,AT,SG,TT, WM,K3B,D-61A
8	MM409157	ROD,tie	1	1	-													For 61A,AM,AT,SG,TT
	MM409157	ROD,tie	-	①	-													For 61WM
	MM430441	ROD,tie	-	1	-								X	A20				For 61WM
8A	MM409181	ROD,tie	1	1	1													Exc.61AM,AT,SG,TT, WM,K3B,D-61A
9	MM407030	SHAFT,governor	①	①	-													For 61WM
	MM407031	SHAFT,governor	1	1	1								O					
10	MM407035	LEVER,governor spring	2	2	2													
11	MM407053	LEVER ASSY,speed control	-	1	-													For 61AM
	MM409142	LEVER ASSY,speed control	1	1	1													Exc.61AM,DA,DM,DMG, DMH,FG,RA,SS
	MM409237	LEVER ASSY,speed control	-	1	1													For 61DA,DM,DMG, DMH,RA,SS

3-01 GOVERNOR PARTS

3 GOVERNOR SYSTEM

見出番号 Key No.	部品番号 Part No.	部 品 名 称 Part Name	型式および所要数 Model & No. Req'd										R / P	E / E	備 考 Remarks		
			K	K	K												
			3B	3D	3E												
	MM409682	LEVER ASSY,speed control	-	1	-												For 61FG
12	MM409150	COVER,tie rod	-	①	-												For 61WM
13~16	MM409213	COVER ASSY,tie rod	1	1	-												For 61DM,DMG,DMH, FG,PA
	MM409166	COVER ASSY,tie rod	1	1	-												For 61A,AM,AT,SG, TT
	MM409680	COVER ASSY,tie rod	-	①	-												For 61RG,TG
	MM409640	COVER ASSY,tie rod	1	1	1											O A10	For 61DA,EM,ES,KL, RA,RG,SA,SS,TG, WH,WM,K3E-61A
14	MK66106000	WASHER,seal	①	①	-												
	MF660031	GASKET (6)	1	1	1											O	
15	MM409168	NUT,special	1	1	1												
16	MM409167	SCREW,adjusting	1	1	1												
17	MM409169	CAP,sealing	1	1	1												
18	MM409151	GASKET,cover	1	1	1												
19	K8712630	PIN,grooved	-	1	-												For 61DM,DMG,DMH
	K8712630	PIN,grooved	2	2	-												For 61A,AM,AT,DA, FG,PA,SG,SS,TT
	K8712630	PIN,grooved	3	3	3												For 61EM,ES,KL,RA, RG,SA,TG,WH,WM, K3E-61A
	MM409239	PIN,grooved	-	1	-												For 61DA,DM,DMG, DMH,SS
20	MM409148	SPRING,governor	1	1	-												For 61A,AM,AT,TT
	MM409692	SPRING,governor	1	1	1												Exc. 61AM,AT,DA,ES, SG,TT,WM,K3B,D-61A
	MM409148	SPRING,governor	-	①	-												For 61WM
	MM405011	SPRING,governor	1	1	-									X	A48		For 61DA,SG,WM
	MM409186	SPRING,governor	1	-	-										A43		For 61ES
21	MF241222	BOLT,with washer (7T:6×10)	3	3	3												(61DMG,DMH:2pcs)

3-01 GOVERNOR PARTS

3 GOVERNOR SYSTEM

見出番号 Key No.	部品番号 Part No.	部品名称 Part Name	型式および所要数 Model & No. Req'd										R / P	E / E	備考 Remarks	
			K 3B	K 3D	K 3E											
22	MF241224	BOLT,with washer (7T:6×14)	4	4	-											For 61A,AM,AT,DM, DMG,DMH,FG,PA,SG,TT
	MF241231	BOLT,with washer (7T:6×30)	1	1	1											For 61DA,EM,ES,KL, RA,RG,SA,SS,TG,WH, WM,K3E-61A
23	MF244823	BOLT,with washer (7T:6×14)	1	1	1											
24	MF241226	BOLT,with washer (7T:6×18)	3	3	3											For 61DA,EM,ES,KL, RA,RG,SA,SS,TG,WH, WM,K3E-61A
25	MF430004	NUT (4T:6)	1	1	-											For 61A,AM,AT,DM, DMG,DMH,FG,PA,SG, TG,TT,WH
	MF430004	NUT (4T:6)	2	2	2											For 61DA,EM,ES,KL, RA,RG,SA,SS,WM, K3E-61A
26	MF430725	NUT,jam (4T:8)	2	2	-											For 61A,AM,AT,DM, DMG,DMH,FG,PA,SG,TT
	MF430725	NUT,jam (4T:8)	3	3	3											For 61DA,EM,ES,KL, RA,RG,SA,SS,TG,WH, WM,K3E-61A
27	MF450405	WASHER,spring (8)	2	2	-											For 61A,AM,AT,DM, DMG,DMH,FG,PA,SG,TT
	MF450405	WASHER,spring (8)	3	3	3											For 61DA,EM,ES,KL, RA,RG,SA,SS,TG,WH, WM,K3E-61A
28	MF520002	O-RING (7)	1	1	-											For 61A,AM,AT,DM, DMG,DMH,FG,PA,SG,TT
	MF520002	O-RING (7)	2	2	2											For 61DA,EM,ES,KL, RA,RG,SA,SS,TG,WH, WM,K3E-61A
29	MM317055	HANGER,spring	1	-	-											For 61SG
30	MM401099	SPRING,return	1	-	-											For 61SG
31	MF450004	WASHER,plain (6)	1	-	-											For 61SG
32	MM413410	SUPPORT,cable clamp	-	1	-											For 61RG
33	MM413411	CLAMP,cable	-	1	-											For 61RG
34	MF101225	BOLT,cable clamp (6×12)	-	2	-											For 61RG
35	MM409173	NUT,cable clamp	-	1	-											For 61RG
36	K8253211	BOLT,low idle set	-	①	-											For 61RG

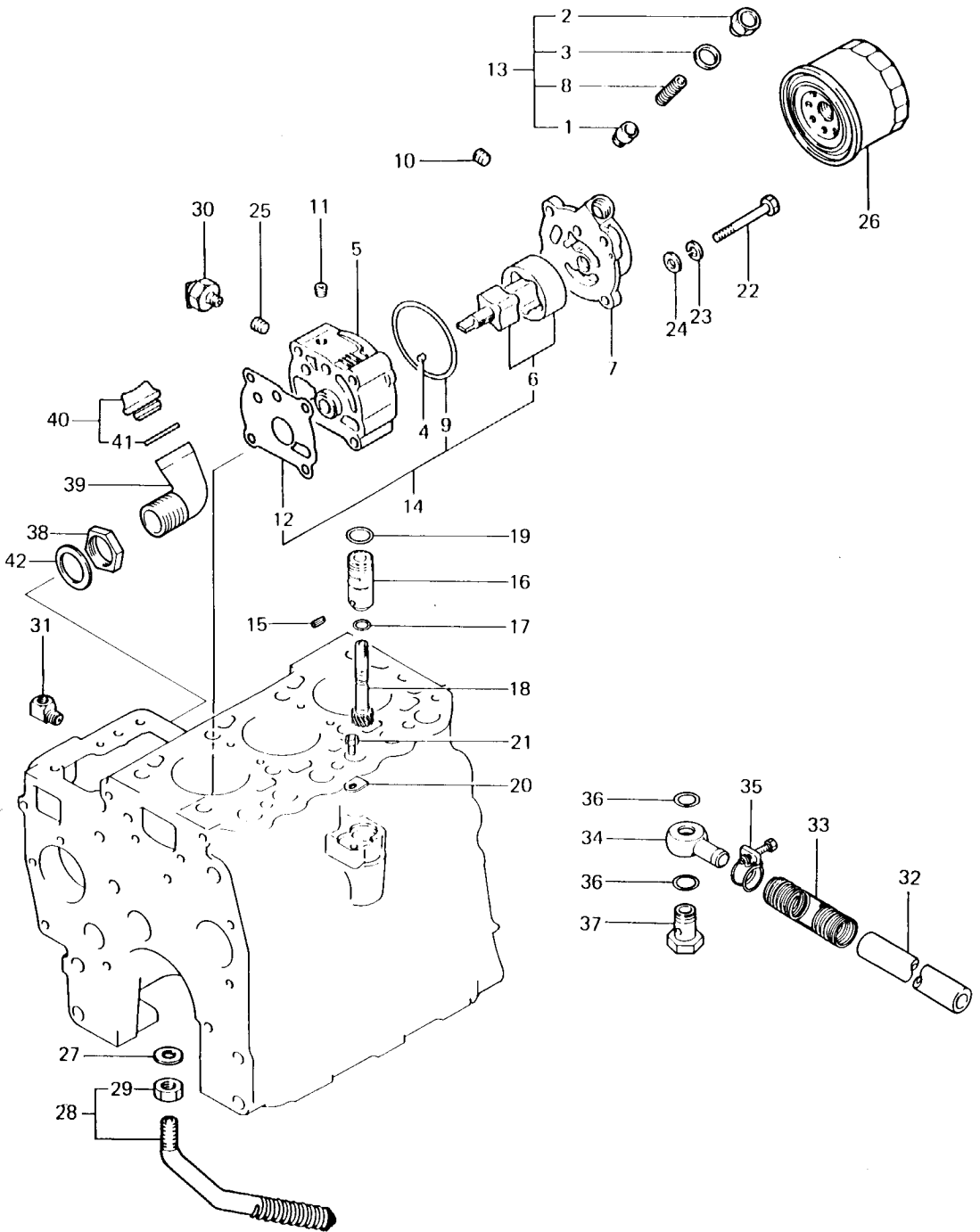
3-01 GOVERNOR PARTS

3 GOVERNOR SYSTEM

見出番号 Key No.	部品番号 Part No.	部品名称 Part Name	型式および所要数 Model & No. Req'd										R / P	E / E	備考 Remarks
			K	K	K										
			3B	3D	3E										
	MM401082	BOLT,low idel set	1	1	1									O A21	For 61DA,EM,ES,KL, RA,RG,SA,SS,WM, K3E-61A
37	MM403988	STOPPER	-	1	-										For 61DMG,DMH
38	MF241229	BOLT,with washer (7T:6×25)	-	1	-										For 61DMG,DMH
39	MM409670	SOLENOID,tubular	1	1	1										For 61DM,DMG,DMH, EM,ES,KL,RG,SA,SG SS,TG
40	MM409678	CAP,gum	①	①	①										For 61DM,EM,RG,SG, SS,TG
	MM317093	CAP,gum	1	1	1									O A49	For 61DM,DMG,DMH, EM,ES,KL,RG,SA,SG, SS,TG
41	MM409685	LEVER ASSY,stop	-	①	-										For 61TG
	MM413360	LEVER ASSY,stop	1	1	1									O A10	For 61DA,EM,ES,KL, RA,RG,SA,SS,TG,WH, WM,K3E-61A
42	MM409686	LEVER,stop	1	1	1										For 61DA,EM,ES,KL, RA,RG,SA,SS,TG,WH, WM,K3E-61A
43	MF660042	GASKET	1	1	1										For 61A,AM,AT,DA, PA,RA,TT,WH
44	MM409671	NUT	1	1	1										For 61DM,DMG,DMH, EM,ES,KL,RG,SA,SG, SS,TG
45	MM409672	PLUG	1	1	1										For 61A,AM,AT,DA, PA,RA,TT,WH
46	MM409689	SPRING,return	-	①	-										For 61TG
44	MM413362	SPRING,return	1	1	1										For 61DA,EM,ES,KL, RA,RG,SA,SS,TG,WH, WM,K3E-61A

4-01 LUBRICATING PARTS

4 LUBRICATION SYSTEM



4-01 LUBRICATING PARTS

4 LUBRICATION SYSTEM

見出番号 Key No.	部品番号 Part No.	部品名称 Part Name	型式および所要数 Model & No. Req'd										R / P	E / E	備考 Remarks	
			K	K	K											
			3B	3D	3E											
1~10	MM409193	OIL PUMP ASSY	-	①	-											For 61WM
1~11	MM409197	OIL PUMP ASSY	-	①	-									O	For 61WM	
	MM409370	OIL PUMP ASSY	-	1	-									O	For 61FG	
	MM409370	OIL PUMP ASSY	①	①	-										For 61A,WM	
	MM409242	OIL PUMP ASSY	-	①	-										For 61RG,61TG	
	MM409371	OIL PUMP ASSY	1	1	1									O	Exc. 61FG	
1	MD030790	PLUNGER,relief	①	①	-										For 61A,RG,TG,WM	
	MD001402	PLUNGER,relief	1	1	1									O		
2	MM407136	PLUG	①	①	-										For 61A,RG,TG,WM	
	MM001404	PLUG	1	1	1									O		
3	MM407137	GASKET	①	①	-										For 61A,RG,TG,WM	
	MD000312	GASKET	1	1	1									O		
4	MD000268	PIN,dowel	②	②	-										For 61A,RG,TG,WM	
	MM409373	PIN,dowel	2	2	2									O		
5	MM409201	BODY,oil pump	-	①	-										For 61WM	
	MM409244	BODY,oil pump	1	1	1											
6	MM407125	ROTOR ASSY,oil pump	1	1	1											
7	MM407143	COVER,oil pump	-	①	-										For 61WM	
	MM409372	COVER,oil pump	1	1	1									O	Exc. 61RG,TG	
	MM409243	COVER,oil pump	-	①	-										For 61RG,TG	
	MM409372	COVER,oil pump	-	1	-									X A8	For 61RG,TG	
8	MM409204	SPRING,relief	1	1	1											
9	MM407145	O-RING	1	1	1											

4-01 LUBRICATING PARTS

4 LUBRICATION SYSTEM

見出番号 Key No.	部品番号 Part No.	部品名称 Part Name	型式および所要数 Model & No. Req'd										R / P	E / E	備考 Remarks	
			K	K	K											
			3B	3D	3E											
10	MS661121	PLUG,taper (PT 1/4)	1	1	1											
11	MS661120	PLUG,taper (PT 1/8)	1	1	1											
12	MM407124	GASKET,oil pump body	1	1	1											
13	MM409893	SERVICE KIT,relief valve	1	1	1											Inc.Key No.1~3,8
14	MM409894	SERVICE KIT,rotor	1	1	1											Inc.Key No.6,9,12
15~19	MM407170	DRIVEN UNIT,speed meter	①	①	-											For 61A,FG,RG,TG,WM
	MM430598	DRIVEN UNIT,speed meter	1	1	1								O			Exc.61DMG,DMH,SG
15	MD701786	PIN,spring	①	①	-											For 61A,RG,TG,WM
	MF472536	PIN,spring	①	①	-											For 61A,FG,RG,TG,WM
	MF472535	PIN,spring	1	1	1								O			Exc.61DMG,DMH,SG
16	MD701787	SLEEVE,speedometer gear	①	①	-											For 61A,FG,RG,TG,WM
	MM430419	SLEEVE,speedometer gear	1	1	1								O			Exc.61DMG,DMH,SG
17	MD701788	O-RING (B)	1	1	1											Exc.61DMG,DMH,SG
18	MM407171	GEAR,speedometer driven	1	1	1											Exc.61DMG,DMH,SG
19	MF520012	O-RING (18)	1	1	1											Exc.61DMG,DMH,SG
20	MD701789	PLATE,locking	1	1	1											Exc.61DMG,DMH,SG
21	MF241224	BOLT,with washer (7T:6×14)	1	1	1											Exc.61DMG,DMH,SG
22	MF101268	BOLT (7T:8×65)	4	4	4											
23	MF450405	WASHER,spring (8)	4	4	4											
24	MS450035	WASHER,plain (8)	-	③	-											For 61A,61FG
	MS450035	WASHER,plain (8)	4	4	4											
25	MS661120	PLUG,taper (PT 1/8)	-	1	-											For 61WM
26	K9665400	FILTER ASSY,oil	①	①	-											For 61A,FG,RG,TG,WM

4-01 LUBRICATING PARTS

4 LUBRICATION SYSTEM

見出番号 Key No.	部品番号 Part No.	部品名称 Part Name	型式および所要数 Model & No. Req'd										R / P	E / E	備考 Remarks	
			K 3B	K 3D	K 3E											
	MM409365	FILTER ASSY,oil	1	1	1									O		Exc. 61DMG,DMH,ES, KL,PA,SA
	MM409365	FILTER ASSY,oil	①	①	①											For 61DMG,DMH,ES, KL,PA,SA
	MD031805	FILTER ASSY,oil	1	1	1									O	A51	For 61DMG,DMH,ES, KL,PA,SA(61PA:2pcs)
27	MK66114000	WASHER,seal	①	①	-											
	MF660036	GASKET (16)	1	1	1									X	A15	
28,29	MM409215	SCREEN ASSY,oil	①	①	-											For 61A,FG,RG,TG,WM
	MM409345	SCREEN ASSY,oil	①	①	-									O		For 61A,FG,RG,TG,WM
	MM430174	SCREEN ASSY,oil	1	1	-									X	A15	Exc. 61DA,ES,PA,SA,SG
	MM430174	SCREEN ASSY,oil	①	①	-											For 61SA
	MM430176	SCREEN ASSY,oil	1	1	1									X	A51	For 61DA,ES,PA,SA, SG,K3E:all
29	MF430728	NUT,jam (4T:14)	①	①	-											For 61A,FG,RG,TG,WM
	MF430729	NUT,jam (4T:16)	1	1	1									X	A15	
30	MD001482	SWITCH ASSY,oil pressure	①	①	①											Exc. 61SG,WM
	MM130066	SWITCH ASSY,oil pressure	1	1	1									O	A52	Exc. 61ES,WM
	MM431777	SWITCH ASSY,oil pressure	1	-	-										A43	For 61ES
31	JP9411091	ELBOW,flaerd tube	-	1	-											For 61TT
32~35	MM409210	TUBE ASSY,oil drain	-	-	1											For 61EM
32	MM405260	TUBE,oil drain	-	-	1											For 61EM
33	MM401186	SPRING	-	-	1											For 61EM
34	MM404456	JOINT,eye	-	-	1											For 61EM
35	MF661013	CLAMP,hose (25)	-	-	2											For 61EM
36	MD000312	GASKET,oil drain plug (18)	-	-	2											For 61EM
37	MF650106	BOLT,eye (18)	-	-	1											For 61EM

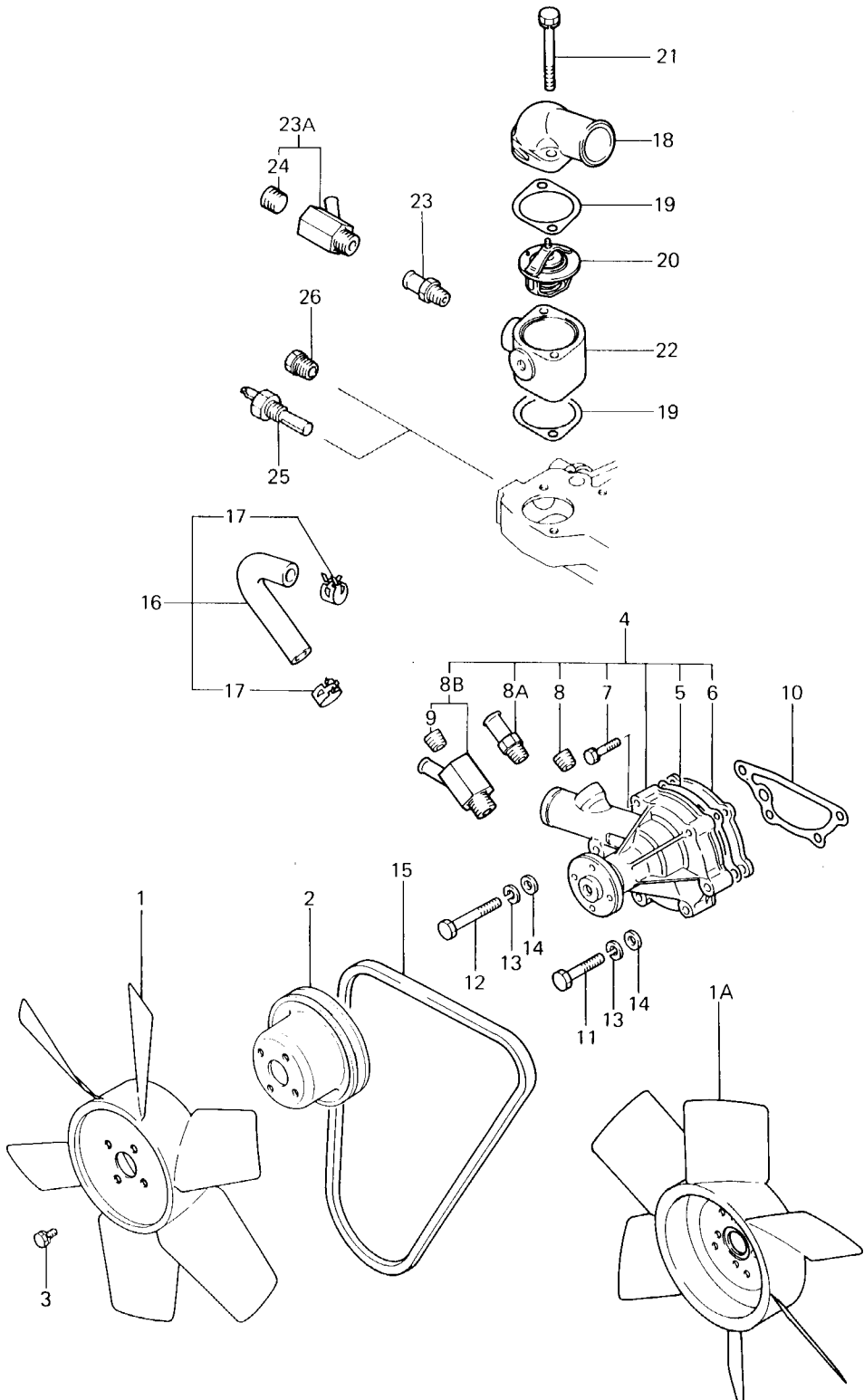
4-01 LUBRICATING PARTS

4 LUBRICATION SYSTEM

見出番号 Key No.	部品番号 Part No.	部品名称 Part Name	型式および所要数 Model & No. Req'd										R / P	E / E	備考 Remarks	
			K 3B	K 3D	K 3E											
38	MM409671	NUT	-	1	-										A22	For 61WM
39	MM430623	OIL INLET	-	1	-										A22	For 61WM
40	MM300540	CAP ASSY,oil filler	-	1	-										A22	For 61WM
41	MF520402	O-RING (30)	-	1	-										A22	For 61WM
42	MF660042	GASKET (30)	-	1	-										A22	For 61WM

5-01 COOLING PARTS

5 COOLING SYSTEM



5-01 COOLING PARTS

5 COOLING SYSTEM

見出番号 Key No.	部品番号 Part No.	部品名称 Part Name	型式および所要数 Model & No. Req'd										R / P	E / E	備考 Remarks		
			K 3B	K 3D	K 3E												
1	MD003330	FAN,cooling (φ325×6:S)	①	①	①												For 61A,AM,AT,RA, SA,TT
	MM434136	FAN,cooling (φ320×6:S)	1	1	1									O	A53		For 61A,AM,AT,KL, RA,SA,TT
	MM409350	FAN,cooling (φ290×6:S)	-	1	-												For 61FG
	MM407455	FAN,cooling (φ340×5:S)	-	①	-												For 61TG
	MM405430	FAN,cooling (φ320×6:P)	-	①	-												For 61WH
	MD009014	FAN,cooling (φ340×5:S)	-	1	-									X	A45		For 61TG,WH
1A	MM405430	FAN,cooling (φ320×6:P)	1	1	-												For 61ES,PA,SG
2	K9674051	PULLEY,water pump	1	1	1												Exc.61ES,FG
	MM405460	PULLEY,water pump	1	1	-												For 61ES,FG
	MF241225	BOLT,with washer (7T:6×16)	4	4	-												For 61ES,PA,SG
	MF241225	BOLT,with washer (7T:6×16)	-	④	-												For 61WH
3	MF241223	BOLT,with washer (7T:6×12)	4	4	4									X	A45		Exc.61ES,PA,SG
4	MM409303	PUMP ASSY,water	1	1	1												Exc.61ES,KL,SG,TT
	MM409301	PUMP ASSY,water	1	1	-												For 61SG,TT
	MM433424	PUMP ASSY,water	1	-	1										A43		For 61ES,KL
5	MM409326	GASKET,water pump	1	1	1												
6	MM409327	PLATE,water pump	1	1	1												
7	MF240031	BOLT,with washer (6×30)	2	2	2												
8	MS661122	PLUG,taper (PT 3/8)	1	1	-												For 61SG,TT
8A	MM409304	NIPPLE,hose	1	1	1												Exc.61ES,KL,SG,TT
8B,9	MM433322	JOINT ASSY,water	1	-	1										A43		For 61ES,KL
9	MS661122	PLUG,taper (PT 3/8)	1	-	1										A43		For 61ES,KL
10	MM407422	GASKET,water pump	1	1	1												

5-01 COOLING PARTS

5 COOLING SYSTEM

見出番号 Key No.	部品番号 Part No.	部品名称 Part Name	型式および所要数 Model & No. Req'd							R / P	E / E	備考 Remarks
			K	K	K							
			3B	3D	3E							
11	MF101264	BOLT (7T:8×45)	3	3	3							
12	MF101267	BOLT (7T:8×60)	1	1	1							
13	MF450405	WASHER, spring (8)	4	4	4							
14	MS450035	WASHER, plain (8)	4	4	4							
15	MM409305	BELT, fan (HM-C:L=950)	1	1	1						Exc. 61DM, DMG, DMH, ES, EM, FG, SG, WM (61AT: 2pcs.)	
	MM409305	BELT, fan (HM-C:L=950)	-	-	①						For 61EM	
	MM409307	BELT, fan (HM-C:L=980)	-	1	1				X	A56	For 61EM, WM	
	MD007528	BELT, fan (HM-C:L=932)	1	1	-						For 61ES, FG, SG	
16	MM409330	HOSE ASSY, water	1	1	1						Exc. 61DM, DMG, DMH, SG, TT	
17	MF661011	CLAMP, hose (22)	2	2	2						Exc. 61DM, DMG, DMH, SG, TT	
18	MD008771	FITTING, water outlet	1	1	1						Exc. 61DM, DMG, DMH, SS	
19	MD000551	GASKET	1	1	-						For 61SG, SS, TT	
	MD000551	GASKET	2	2	2						Exc. 61SG, SS, TT	
20	MD001370	THERMOSTAT (82)	-	1	-						For 61WM	
	MD003581	THERMOSTAT (71)	-	1	-						For 61SS	
	K6516441	THERMOSTAT (76.5)	1	1	1						Exc. 61SG, SS, TT, WM	
21	MF241267	BOLT, with washer (7T:8×70)	2	2	2						Exc. 61DM, DMG, DMH, SG, SS, TT	
	MF241256	BOLT, with washer (7T:8×28)	2	2	-						For 61SG, TT	
22~24	MM433507	FITTING ASSY, thermostat	1	-	1					A43	For 61ES, KL	
22	MM407432	FITTING, thermostat	1	1	1						Exc. 61DM, DMG, DMH, SG, SS, TT	
23	MM409304	NIPPLE, hose	1	1	1						Exc. 61DM, DMG, DMH, ES, SG, TT (61KL: 2pcs.)	
23A	MM433322	JOINT ASSY, water	1	-	1						For 61ES, KL	
24	MS661122	PLUG, taper (PT 3/8)	1	-	1						For 61ES, KL	

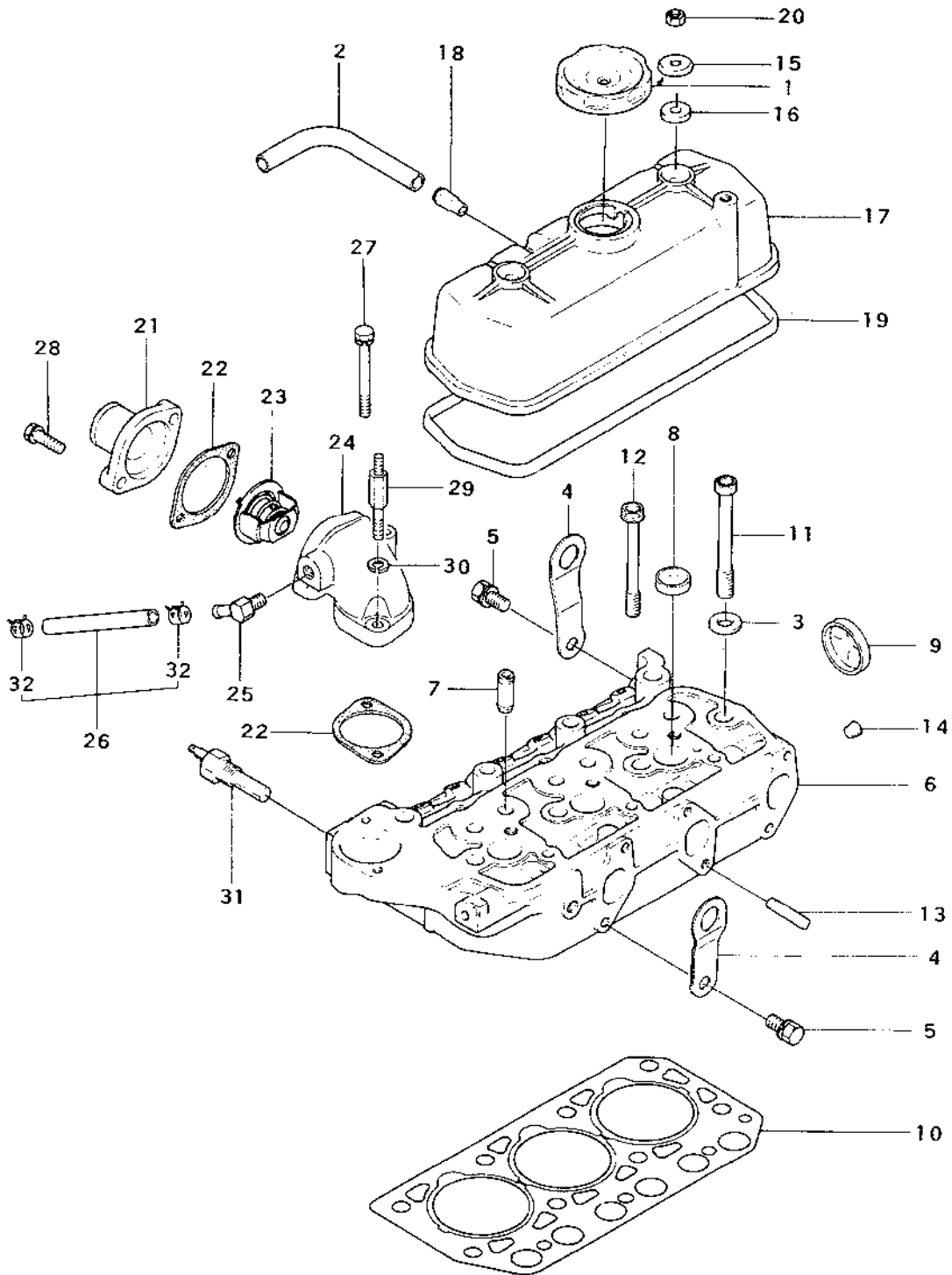
5-01 COOLING PARTS

5 COOLING SYSTEM

見出番号 Key No.	部品番号 Part No.	部品名称 Part Name	型式および所要数 Model & No. Req'd										R / P	E / E	備考 Remarks	
			K 3B	K 3D	K 3E											
25	MM409381	SWITCH,thermo	1	1	1											Exc. 61DA,DM,DMG, DMH,FG,SS,TG,TT,WM
	MM409380	SWITCH,thermo	-	1	-											For 61DM
	MM401471	SWITCH,thermo	-	1	-								A31			For 61DMG,DMH
26	MA604250	JOINT	-	1	-											For 61FG,TT

FIG. 1-3
E1-3-1

CYLINDER HEAD



CYLINDER HEAD

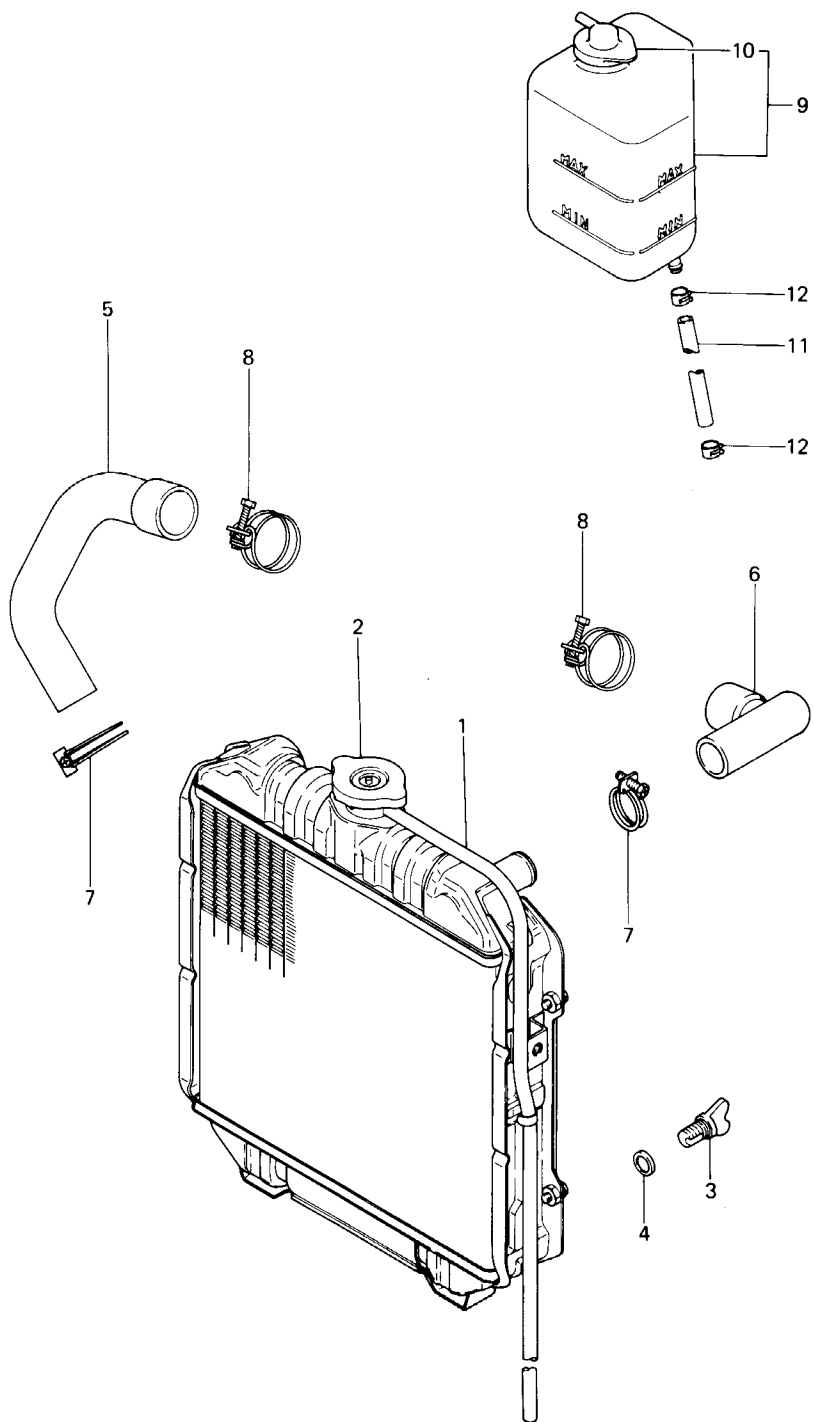
FIG. 1-3
E1-3-2

(470-D)

Key No.	Part No.	Part Name	Q'ty	Exchange-ability	Application	Description	Remarks
1	MD008784	Cap, oil filler	1				
2	MM408536	Pipe, air breather	1				
3	MD020733	Washer, cylinder head bolt	8				
4	MM408470	Hanger, engine	2				
5	MF241280	Bolt, w/washer	2			M10×20 mm	
6-9	MM408393	HEAD ASSY., cylinder	1				MM408403
	*	HEAD ASSY., cylinder	1				
7	MM408441	Guide, valve	6				
8	MF665538	Cap, sealing	3			25 mm	
9	MF665543	Cap., sealing	1			45 mm	
10	MM408452	Gasket, cylinder head	1				MM408443
	*	Gasket, cylinder head	1				
	*	Gasket, cylinder head	1				
11	MM408481	Bolt, cylinder head	8				MM408463
	*	Bolt, cylinder head	8				
						M12×98 mm	MM408480
12	MM404316	Bolt, cylinder head	3			M10×90 mm	
13	MF401936	Stud	1			M8×25 mm	
14	MS661120	Plug, taper	1			PT=1/8"	
15	MM408509	Washer	2				MD000522
	*	Washer	2				
16	MD000523	Seal, oil	2				
17,18	MM408491	COVER ASSY., rocker	1				
18	K9644171	Pipe	1				
19	MM408501	Gasket, rocker cover	1				
20	MF430005	Nut	2			M8	
21	MM409313	Fitting, water outlet	1				
22	MD000551	Gasket, outlet fitting	2				MM405450
	*	Gasket, outlet fitting	2				
23	MD001370	Thermostat	1				
24,25	MM409312	Fitting, thermostat	1				
25	MM409311	Joint, water hose	1				
26,32	MM408274	HOSE ASSY.	1			8×130 mm	Including the mark (C)
27	MF101269	Bolt	1			M8×70 mm	
28	MF241256	Bolt, w/washer	2			M8×28 mm	MF241257
	*	Bolt, w/washer	2			M8×30 mm	
29	MM409315	Bolt, outlet fitting	1				
30	MF450405	Washer, spring	2			M8	
31	MM409380	Switch, thermo	1				
32	MS660164	Clip, hose	2				(C)

5-02 RADIATOR

5 COOLING SYSTEM



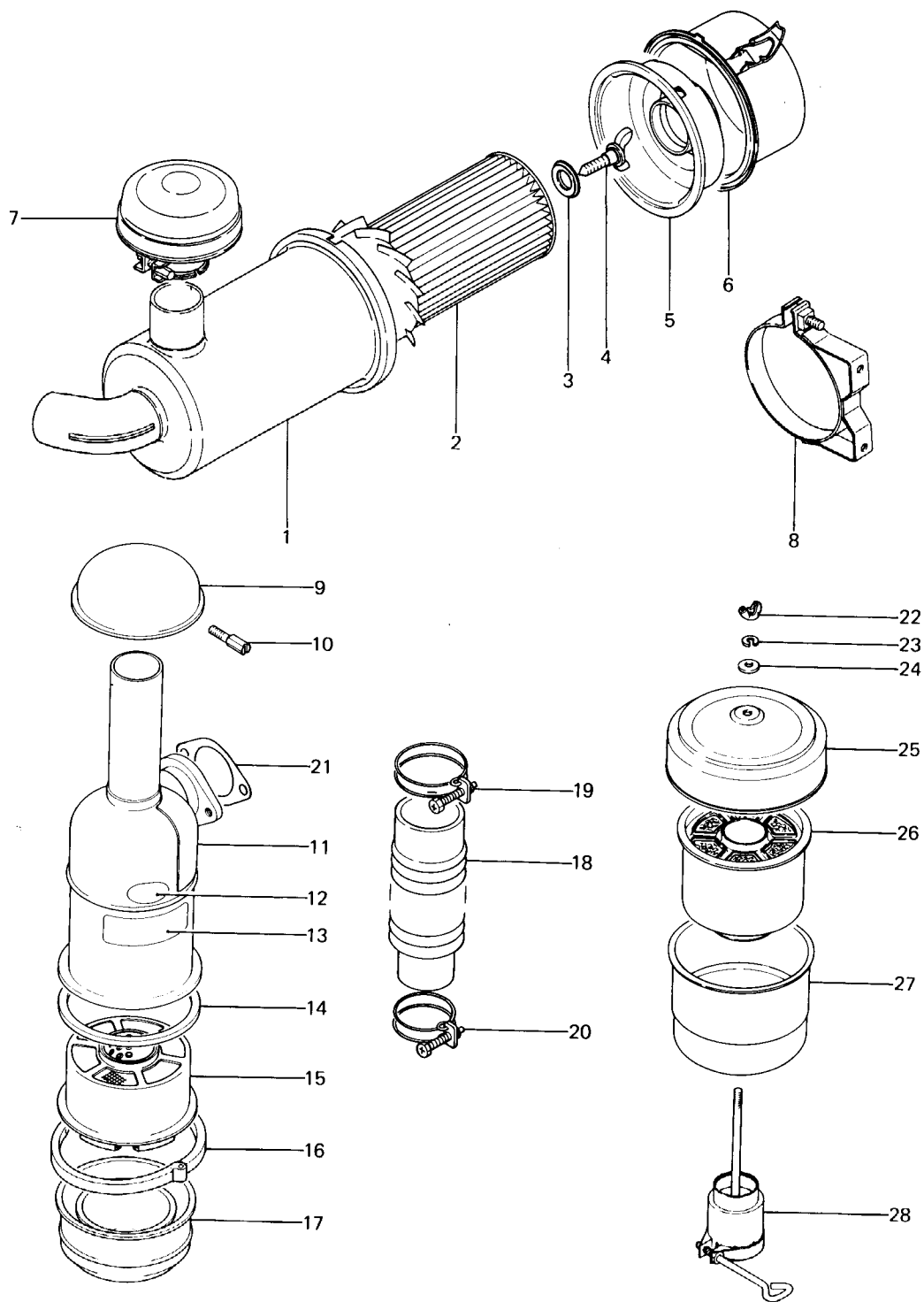
5-02 RADIATOR

5 COOLING SYSTEM

見出番号 Key No.	部品番号 Part No.	部品名称 Part Name	型式および所要数 Model & No. Req'd							R / P	E / E	備考 Remarks
			K 3B	K 3D	K 3E							
1~4	MM200215	RADIATOR ASSY	1	1	-						For 61ES,SA	
	MM200215	RADIATOR ASSY	①	-	-						For 61SG	
	MM200214	RADIATOR ASSY	1	-	-				O	A54	For 61SG	
	MM200230	RADIATOR ASSY	1	1	1						For 61AT,KL,PA,RA	
	MM200232	RADIATOR ASSY	-	1	-					A45	For 61WH	
2	MM200116	CAP ASSY,radiator	1	1	1						For 61AT,ES,KL,PA,RA,SA	
	MM200116	CAP ASSY,radiator	①	-	-						For 61SG	
	MB007570	CAP ASSY,radiator	1	-	-				O	A54	For 61SG	
3	MA143755	COCK,drain	1	1	-						For 61ES,SA,SG	
	MM200127	COCK,drain	1	1	1						For 61AT,KL,PA,RA	
4	MA143756	PACKING	1	1	1						For 61AT,ES,KL,PA,RA,SA,SG	
5	MM200224	HOSE,water (A)	1	1	-						For 61ES,SA,SG,TT	
	MM200236	HOSE,water (A)	1	1	1						For 61AT,PA,KL,RA,WH	
6	MM200225	HOSE,water (B)	1	1	-						For 61ES,SA,SG,TT	
	MM200235	HOSE,water (B)	1	1	1						For 61AT,PA,KL,RA,WH	
7	MF661019	CLAMP,hose (38)	2	2	2						For 61AT,ES,PA,KL,RA,SA,SG,TT,WH	
8	MF661022	CLAMP,hose (45)	2	2	2						For 61AT,ES,PA,KL,RA,SA,SG,TT,WH	
9~12	MM317465	TANK ASSY,reservoir	1	-	-						For 61SG	
9	MM315437	TANK,reservoir	1	-	-						For 61SG	
10	MM315438	CAP ASSY,reservoir tank	1	-	-						For 61SG	
11	MM317469	HOSE (8×1000)	1	-	-						For 61SG	
12	MM317417	CLAMP	2	-	-						For 61SG	

6-01 AIR CLEANER

6 INTAKE & EXHAUST SYSTEM



6-01 AIR CLEANER

6 INTAKE & EXHAUST SYSTEM

見出番号 Key No.	部品番号 Part No.	部品名称 Part Name	型式および所要数 Model & No. Req'd										R / P	E / E	備考 Remarks	
			K	K	K											
			3B	3D	3E											
1~6	K9644110	CLEANER ASSY,air	1	1	1											For 61A,ES,SA
	MM200550	CLEANER ASSY,air	1	1	-										A25	For 61PA
1~7	MM400850	CLEANER ASSY,air	-	①	1											For 61WH,KL
	MM400851	CLEANER ASSY,air	-	1	-										O A55	For 61WH
1	K9644010	BODY ASSY	1	1	1											For 61A,ES,SA
	MM510079	BODY ASSY	1	1	-											For 61PA
	MM510069	BODY ASSY	-	1	1											For 61ES,WH
2	K9644020	ELEMENT	①	①	-											For 61A
	MM200570	ELEMENT	1	1	1										O	For 61A,ES,SA
	MM200571	ELEMENT	1	1	-											For 61PA
	MM200573	ELEMENT	-	1	1											For 61KL,WH
3	K9644030	WASHER,seal	1	1	1											For 61A,ES,SA
	MM510049	WASHER,seal	1	1	1											For 61KL,PA,WH
4	K9644040	BOLT,center	1	1	1											For 61A,ES,SA
	MM510047	BOLT,center	1	1	1											For 61KL,PA,WH
5	K9644050	PLATE ASSY,partition	1	1	1											For 61A,ES,SA
	MM510081	PLATE ASSY,partition	1	1	-											For 61PA
	MM510071	PLATE ASSY,partition	-	1	1											For 61KL,WH
6	K9644060	PAN ASSY,dust	1	1	1											For 61A,ES,SA
	MM510080	PAN ASSY,dust	1	1	-											For 61PA
	MM510070	PAN ASSY,dust	-	1	1											For 61KL,WH
7	MM510073	CAP ASSY,rain	-	①	1											For 61KL,WH
8	JP9119290	BAND ASSY	-	2	2											For 61KL,WH

6-01 AIR CLEANER

6 INTAKE & EXHAUST SYSTEM

見出番号 Key No.	部品番号 Part No.	部品名称 Part Name	型式および所要数 Model & No. Req'd										R / P	E / E	備考 Remarks		
			K 3B	K 3D	K 3E												
9~17	K8344371	CLEAR ASSY,air	-	1	-												For 61AT,TT
9	K8344660	INLET SUB ASSY	-	1	-												For 61AT,TT
10	K8344720	BOLT	-	1	-												For 61AT,TT
11	K8344380	ELEMENT ASSY,filter	-	1	-												For 61AT,TT
12	K8344860	PLATE,name	-	1	-												For 61AT,TT
13	K7944180	PLATE,caution	-	1	-												For 61AT,TT
14	K8344541	GASKET,air cleaner case	-	1	-												For 61AT,TT
15	K8344751	ELEMENT ASSY	-	1	-												For 61AT,TT
16	K8344771	CLAMP SUB ASSY	-	1	-												For 61AT,TT
17	K8344550	CASE SUB ASSY	-	1	-												For 61AT,TT
18	MM401320	HOSE,air	-	1	-												For 61TT
	MM401322	HOSE,air	1	1	1											A25	For 61KL,PA
20	MF661027	CLAMP,hose (58)	1	1	1											A25	For 61KL,PA
19	MF661023	CLAMP,hose (48)	1	1	1												For 61KL,PA,TT
20	MS660031	CLAMP,hose (52)	-	1	-												For 61TT
21	K7744340	PACKING,air cleaner	-	1	-												For 61AT,TT
22~28	MM200551	CLEANER ASSY,air	1	-	-												For 61SG
22	K7644671	NUT,wing	1	-	-												For 61SG
23	MF450404	WASHER,spring (6)	1	-	-												For 61SG
24	K7644660	WASHER,plain (6)	1	-	-												For 61SG
25	MM510022	COVER ASSY	1	-	-												For 61SG
26	MM510021	ELEMENT ASSY	1	-	-												For 61SG
27	*	PAN ASSY	1	-	-												For 61SG

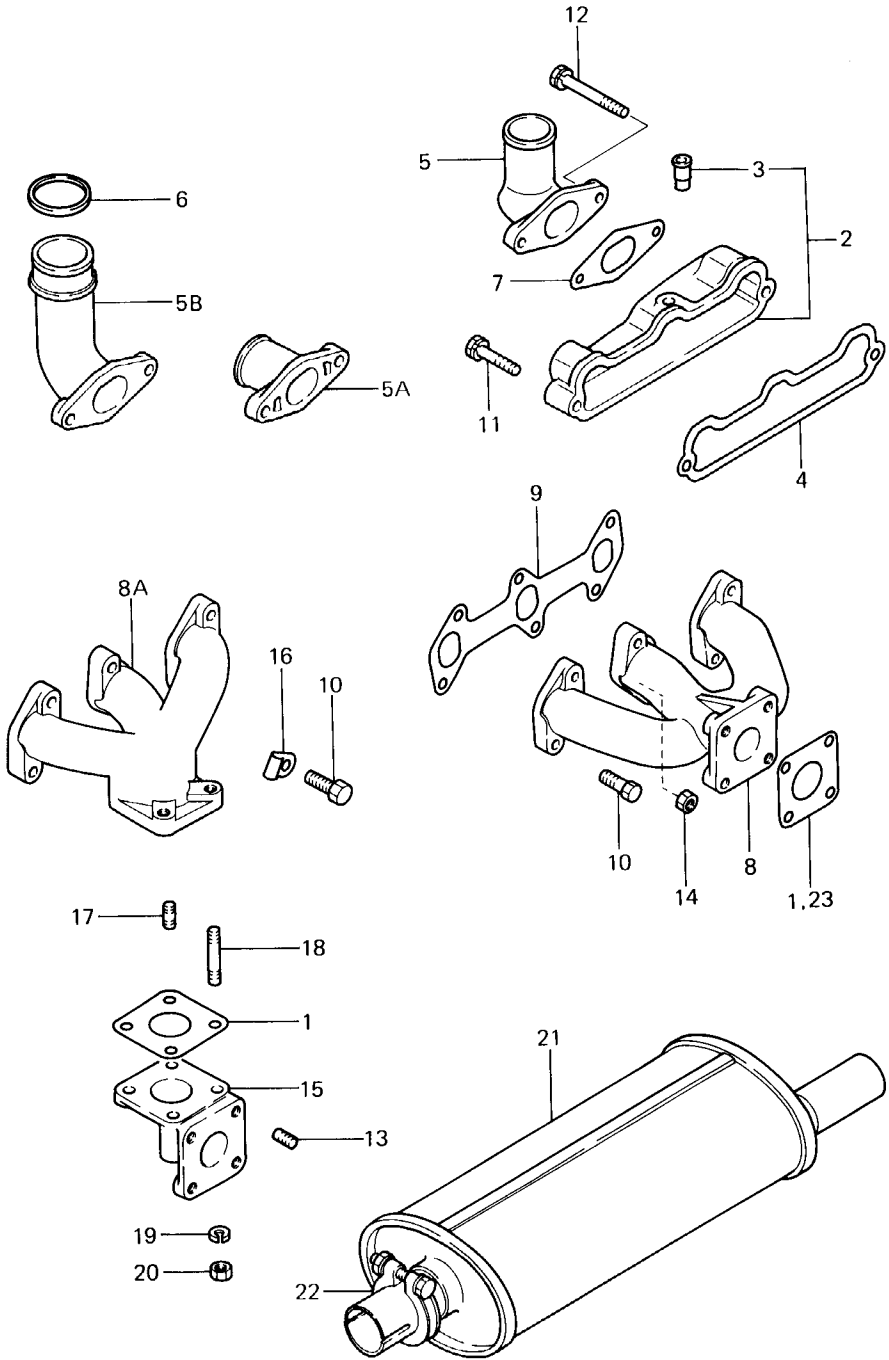
6-01 AIR CLEANER

6 INTAKE & EXHAUST SYSTEM

見出番号 Key No.	部品番号 Part No.	部品名称 Part Name	型式および所要数 Model & No. Req'd								R / P	E / E	備考 Remarks
			K	K	K								
			3B	3D	3E								
28	MM510024	PIPE ASSY	1	-	-								For 61SG

6-02 INTAKE & EXHAUST PARTS

6 INTAKE & EXHAUST SYSTEM



6-02 INTAKE & EXHAUST PARTS

6 INTAKE & EXHAUST SYSTEM

見出番号 Key No.	部品番号 Part No.	部品名称 Part Name	型式および所要数 Model & No. Req'd										R / P	E / E	備考 Remarks		
			K 3B	K 3D	K 3E												
1	MM408580	GASKET	1	1	1												Exc. 61AM,DM,DMG, DMH,EM,WM (61TT:2pcs)
2,3	MM408541	MANIFOLD ASSY,intake	1	1	1												
3	K9644171	PIPE	1	1	1												
4	MM408551	GASKET,intake manifold	1	1	1												
5	MM408563	PIPE,inlet	1	1	1												Exc. 61DM,DMG,DMH, EM,FG,RG,SG,TG,WH
	MM408563	PIPE,inlet	-	①	-												For 61WH
5A	MM408564	PIPE,inlet	-	①	-												For 61RG,61TG
	MM409763	PIPE,inlet	-	1	1								X	A44			For 61EM,FG,RG,TG,WH
5B	MM408565	PIPE,inlet	1	-	-												For 61SG
6	MM306974	SEAL,dust	1	-	-												For 61SG
7	MM408566	GASKET,inlet pipe	1	1	1												
8	MM408571	MANIFOLD,exhaust	1	1	1												For 61A,AT,DA,FG, PA,KL,RA,RG,SA,WH
8A	MM408573	MANIFOLD,exhaust	1	1	-												For 61ES,SG,TG,TT
9	MM408576	GASKET,exhaust manifold	1	1	1												
10	MF101259	BOLT (7T:8×30)	5	5	5												Exc. 61AM,DM,DMG,DMH, EM,SS,WM
11	MF241261	BOLT,with washer (7T:8×40)	1	1	1												
12	MF241267	BOLT,with washer (7T:8×70)	2	2	2												Exc. 61DM,DMG,DMH
	MF100066	BOLT,with washer (4T:8×55)	-	2	-										A31		
13	MF401936	STUD (4T:8×25)	4	4	4												Exc. 61AM,DM,DMG,DMH, EM,FG,SS,WM
	MF401933	STUD (4T:8×18)	-	4	-												For 61FG
14	MF430005	NUT (4T:8)	1	1	1												Exc. 61AM,DM,DMG,DMH, EM,SS,WM
15	MM315745	ELBOW,exhaust	-	1	-												For 61TT
16	MM408590	CLAMP,tachometer cable	-	1	-												For 61TT

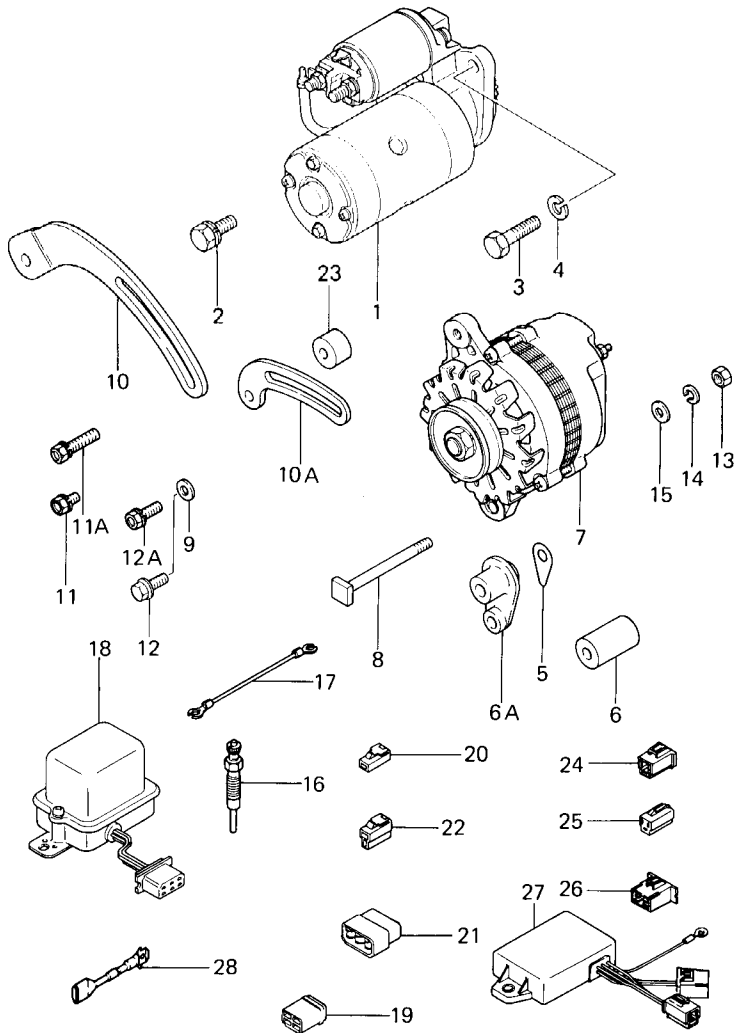
6-02 INTAKE & EXHAUST PARTS

6 INTAKE & EXHAUST SYSTEM

見出番号 Key No.	部品番号 Part No.	部品名称 Part Name	型式および所要数 Model & No. Req'd							R / P	E / E	備考 Remarks
			K 3B	K 3D	K 3E							
17	MF401934	STUD (4T:8×20)	-	2	-						For 61TT	
18	MF402574	STUD (4T:8×50)	-	2	-						For 61TT	
19	MF450405	WASHER, spring (8)	-	4	-						For 61TT	
20	MD000569	NUT (8)	-	8	-						For 61TT	
21,22	MM317770	MUFFLER ASSY	1	1	-						For 61PA,SG	
22	MM317772	CLAMP	1	1	-						For 61PA,SG	
23	MM408581	GASKET	-	1	-						For 61AM	

7-01 ELECTRICAL EQUIPMENT

7 ELECTRICAL SYSTEM



7-01 ELECTRICAL EQUIPMENT

7 ELECTRICAL SYSTEM

見出番号 Key No.	部品番号 Part No.	部品名称 Part Name	型式および所要数 Model & No. Req'd										R / P	E / E	備考 Remarks	
			K	K	K											
			3B	3D	3E											
1	MM409410	STARTER ASSY (12V-1.6KW):M	1	1	1											Exc. 61DA,ES,FG,KL, RA,RG,TG,WH,WM (M002T50381)
	MM409410	STARTER ASSY (12V-1.6KW):M	-	①	-											For 61WM (M002T50381)
	MD072585	STARTER ASSY (12V-1.2KW):M	-	1	-								X	A39	For 61WM (M002T53085)	
	MM409411	STARTER ASSY (12V-2.0KW):M	-	①	-										For 61FG,RG,TG (M003T61171)	
	MM409413	STARTER ASSY (12V-2.0KW):M	-	1	1									O	For 61DA,FG,RA,RG, TG (M002T56272)	
	MM409414	STARTER ASSY (12V-1.6KW):M	1	①	1										For 61WH,ES,KL (M002T50381)	
	MM409413	STARTER ASSY (12V-2.0KW):M	-	1	-								X	A45	For 61WH (M002T56272)	
2	MF241282	BOLT,with washer (7T:10×25)	2	2	2										Exc. 61AT,DA,DMG,EM, ES,KL,PA,SA,WH,WM	
	MF241282	BOLT,with washer (7T:10×25)	1	1	1										For 61AT,DA,DMG, EM,ES,KL,PA,SA,WH	
3	MM409420	BOLT,starter	1	1	1										For 61AT,EM,SA,WH	
	MM409427	BOLT,starter	1	1	1									A31	For 61DA,DMG,ES,KL, PA	
4	MF450406	WASHER,spring (10)	1	1	1										For 61AT,DA,DMG,EM, ES,KL,PA,SA,WH	
5	MD001517	SHIM	S	S	S										(61FG:2pcs)	
6	MM409320	SPACER	1	1	1										For 61,DA,DM,DMG, DMH,KL,PA,SG,SS,WH	
	MM409328	SPACER	1	1	1										For 61A,AM,AT,ES,RA, RG,SA,TG,TT	
	MM409467	SPACER	-	1	-										For 61FG	
	MM409328	SPACER	-	-	①										For 61EM	
6A	MM409656	SPACER	-	1	1								X	A56	For 61EM,WM	
7	MD017645	ALTERNATOR ASSY (12V-35A):M	1	1	1										For 61A,AM,AT,ES, RA,RG,SA,TG,TT (AH2035M4)	
	MM407671	ALTERNATOR ASSY (12V-15A):M	1	-	-										For 61SG (AR211522)	
	MD017645	ALTERNATOR ASSY (12V-35A):M	-	-	①										For 61EM (AH2035M4)	
	MM409650	ALTERNATOR ASSY (12V-50A):M	-	1	1								X	A56	For 61EM,WM (A002A25271)	

7-01 ELECTRICAL EQUIPMENT

7 ELECTRICAL SYSTEM

見出番号 Key No.	部品番号 Part No.	部品名称 Part Name	型式および所要数 Model & No. Req'd										R / P	E / E	備考 Remarks		
			K	K	K												
			3B	3D	3E												
	MM409651	ALTERNATOR ASSY (12V-35A):M	1	1	1												For 61DA,DM,DMG,DMH, KL,PA,SS,WH, (A001T24770)
	MM409752	ALTERNATOR ASSY (12V-35A):M	-	1	-												For 61FG (A001T23874)
8	MD001515	BOLT (8×82)	1	1	1												For 61DA,DM,DMG,DMH, KL,PA,SG,SS,WH
	MD017625	BOLT,special (8×85)	1	1	1												For 61A,AM,AT,ES,RA, RG,SA,TG,TT
	MD017625	BOLT,special (8×85)	-	-	①												For 61EM
	MD021662	BOLT (8×92)	-	1	1										X	A56	For 61EM,WM
	MM409451	BOLT (8×15)	-	1	-												For 61FG
9	MD000425	WASHER,plain	①	①	-												
	MD001521	WASHER,plain	1	1	1											O	
10	MM409463	BRACE,generator	-	-	①												For 61EM
	MM409655	BRACE,generator	-	1	1										X	A56	For 61EM,WM
10A	MM409463	BRACE,generator	1	1	1												For 61A,AM,AT,ES, RA,RG,SA,TG,TT
	MM409464	BRACE,generator	1	1	1												For 61DA,DM,DMG,DMH, KL,PA,FG,SA,WH
	MM409460	BRACE,generator	1	-	-												For 61SG
11	MF241251	BOLT,with washer (7T:8×16)	1	1	1												For 61A,AM,AT,EM,ES, RA,RG,SA,TG,TT
11A	MF241259	BOLT,with washer (7T:8×35)	1	1	1												For 61DA,DM,DMG,DMH, KL,PA,FG,SS,WH
12	MF241255	BOLT,with washer (7T:8×25)	①	①	-												
12A	MF140026	BOLT,flange (7T:8×22)	1	1	1											O	
13	MF430005	NUT (4T:8)	1	1	1												
14	MF450405	WASHER,spring (8)	1	1	1												
15	MS450035	WASHER,plain (8)	1	1	1												
16	MM401621	PLUG,glow (12V NGK Y-110)	3	3	3												Exc. 61ES,WH
	MM409510	PLUG,glow (12V NGK Y-114)	3	3	-												For 61ES,WH

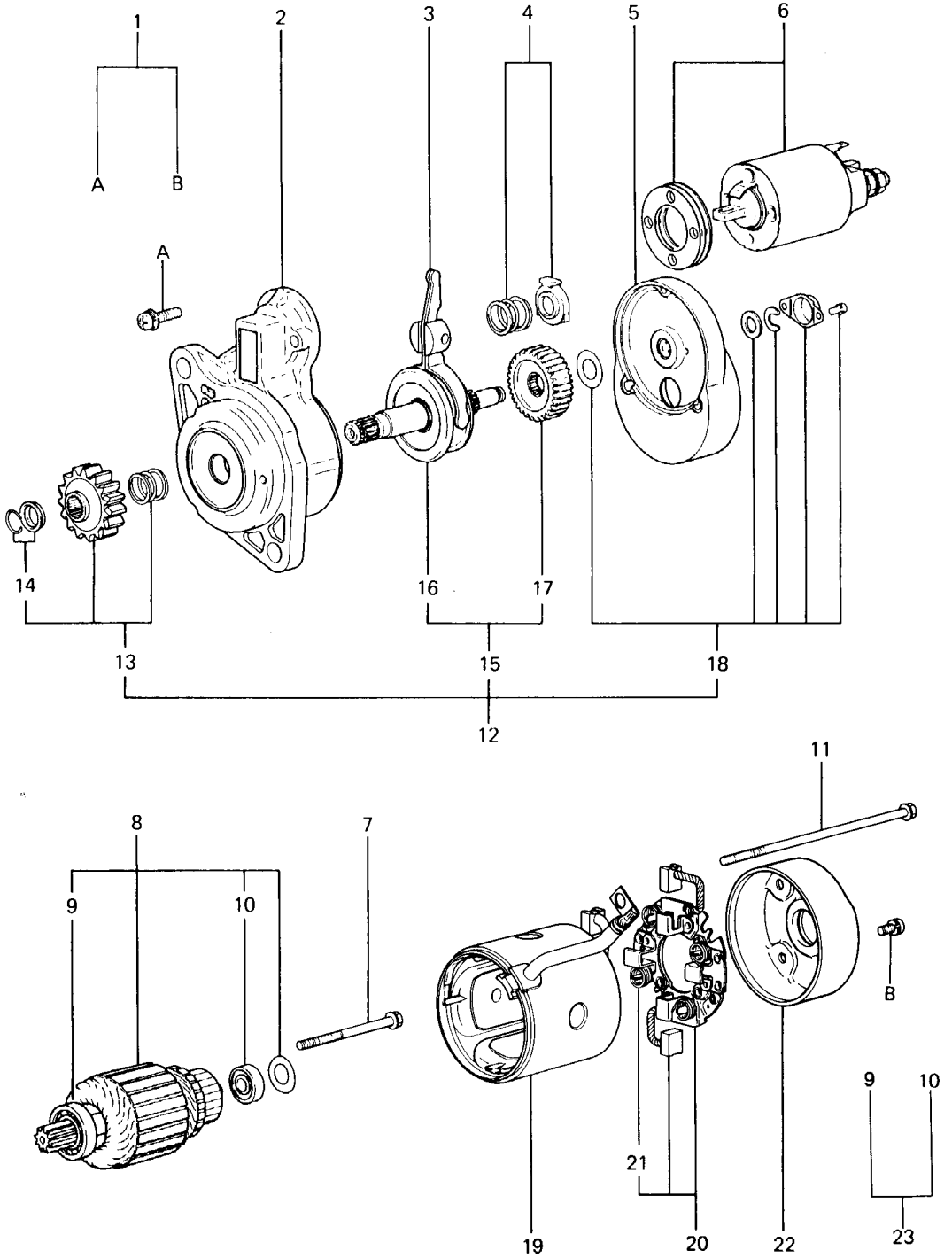
7-01 ELECTRICAL EQUIPMENT

7 ELECTRICAL SYSTEM

見出番号 Key No.	部品番号 Part No.	部品名称 Part Name	型式および所要数 Model & No. Req'd										R / P	E / E	備考 Remarks	
			K	K	K											
			3B	3D	3E											
17	K9670260	WIRE,glow plug lead	2	2	2											Exc.61ES,WH
	MM409511	WIRE,glow plug lead	2	2	-											For 61ES,WH
18	MDO01821	REGULATOR ASSY	1	1	1											For 61A,AM,AT,ES,FG, RA,SA,SG,TT
19	JP9417170	CONNECTOR,4-poles,female	1	1	1											For 61A,AM,AT,ES,FG, RA,SA,SG,TT,WH
	JP9417170	CONNECTOR,4-poles,female	-	-	①											For 61EM
20	MM409660	CONNECTOR,1-pole,female	1	1	1							X	A56			For 61DA,DM,DMG,DMH, EM,PA,SS,WH,WM
21	JP9417180	CONNECTOR,6-poles male	1	1	1											For 61A,AM,AT,ES,FG, RA,SA,SG,TT
	JP9417180	CONNECTOR,6-poles,male	-	-	①											For 61EM
22	MB084014	CONNECTOR,2-poles,female	1	1	1							X	A56			For 61DA,DM,DMG,DMH, EM,KL,PA,SS,WH,WM
23	MM409466	DISTANCE	1	1	1											For 61DA,DM,DMG,DMH, EM,KL,PA,FG,SS,WH
24	MM409661	CONNECTOR,3-poles,male	-	②	-											For 61RG,TG
	MM409661	CONNECTOR,3-poles,male	1	1	1								A56			For 61EM,ES,KL,SA
25	MM409662	CONNECTOR,3-poles,female	-	①	-											For 61RG,TG
26	MM409663	CONNECTOR,4-poles,male	1	1	1											For 61EM,ES,KL,SA
27	MM409675	UNIT ASSY,controle	1	1	1											For 61EM,ES,KL,RG, SA,TG
28	MM434062	DIODE	2	-	1								A56			For 61EM,ES,KL,SA

7-02A STARTER

7 ELECTRICAL SYSTEM



7-02A STARTER

7 ELECTRICAL SYSTEM

見出番号 Key No.	部品番号 Part No.	部品名称 Part Name	型式および所要数 Model & No. Req'd							R / P	E / E	備考 Remarks
			K 3B	K 3D	K 3E							
1~23	MM409410	STARTER ASSY (12V-1.6KW):M	1	1	1						Exc. 61DA,ES,FG,KL, RA,RG,TG,WH,WM (M002T50381)	
	MM409410	STARTER ASSY (12V-1.6KW):M	-	①	-					A39	For 61WM	
	MM409414	STARTER ASSY (12V-1.6KW):M	1	①	1						FOR 61ES,KL,WH (M002T50391)	
1	MD607432	SCREW SET	1	1	1						Exc. 61DA,FG,RA,RG, TG,WH,WM	
2	MM502398	BRACKET ASSY,front	1	1	1						Exc. 61DA,ES,FG,KL, RA,RG,TG,WH,WM	
	MM502484	BRACKET ASSY,front	1	-	1						For 61ES,KL	
3	MM502329	LEVER ASSY	1	1	1						Exc. 61DA,ES,FG,KL, RA,RG,TG,WH,WM	
	MM502485	LEVER ASSY	1	-	1				O		For 61ES,KL	
4	MD602963	SPRING SET	1	1	1						Exc. 61DA,ES,FG,KL, RA,RG,TG,WH,WM	
	MM502330	SPRING SET	1	-	1				O		For 61WH,ES,KL	
5	MM502331	BRACKET ASSY,center	1	1	1						Exc. 61DA,FG, RA,RG,TG,WH,WM	
6	MM502461	SWITCH ASSY	1	1	1						Exc. 61DA,ES,FG,KL, RA,RG,TG,WH,WM	
	MM502465	SWITCH ASSY	1	-	1				Y	A11	For 61ES,KL	
7	MM502332	BOLT,through	1	1	1						Exc. 61DA,FG,RA,RG, TG,WH,WM	
8	MM502333	ARMATURE SET	1	1	1						Exc. 61DA,FG,RA,RG, TG,WH,WM	
9	MM502334	BEARING,front	1	1	1						Exc. 61DA,FG,RA,RG, TG,WH,WM	
10	MM502335	BEARING,rear	1	1	1						Exc. 61DA,FG,RA,RG, TG,WH,WM	
11	MM502347	BOLT,through (5×149)	2	2	2						Exc. 61DA,FG,RA,RG, TG,WH,WM	
12	MM502395	SHAFT ASSY,clutch set	1	1	1						Exc. 61DA,ES,FG,KL, RA,RG,TG,WH,WM	
	MM502487	SHAFT ASSY,clutch set	1	-	1						For 61ES,KL	
13	MM502396	PINION SET	1	1	1						Exc. 61DA,FG,RA,RG, TG,WH,WM	
14	MD607416	STOPPER SET	1	1	1						Exc. 61DA,FG,RA,RG, TG,WH,WM	
15	MD607539	GEAR SET	1	1	1						Exc. 61DA,ES,FG,KL, RA,RG,TG,WH,WM	

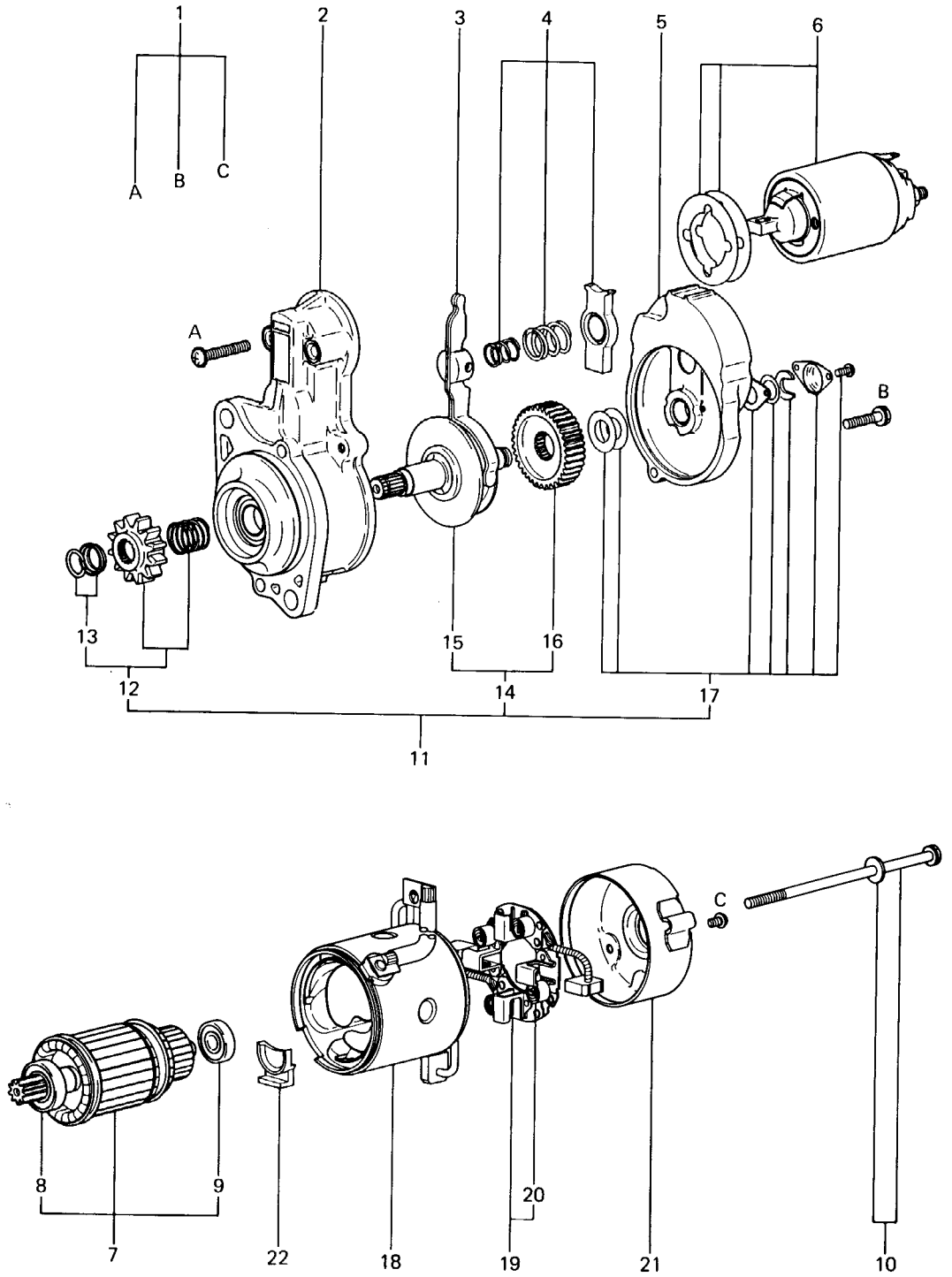
7-02A STARTER

7 ELECTRICAL SYSTEM

見出番号 Key No.	部品番号 Part No.	部品名称 Part Name	型式および所要数 Model & No. Req'd										R / P	E / E	備考 Remarks	
			K 3B	K 3D	K 3E											
	MD607937	GEAR SET	1	-	1											For 61ES,KL
16	MD607540	SHAFT ASSY, pinion	1	1	1											Exc. 61DA, ES, FG, KL, RA, RG, TG, WH, WM
	MD607938	SHAFT ASSY, pinion	1	-	1											For 61ES, KL
17	MM502341	GEAR	1	1	1											Exc. 61DA, FG, RA, RG, TG, WH, WM
18	MM502342	COVER SET	1	1	1											Exc. 61DA, FG, RA, RG, TG, WH, WM
19	MM502397	YOKE ASSY	1	1	1											Exc. 61DA, FG, RA, RG, TG, WH, WM
20	MD607420	HOLDER ASSY, brush	1	1	1											Exc. 61DA, FG, RA, RG, TG, WH, WM
21	MD602210	SPRING, brush	4	4	4											Exc. 61DA, FG, RA, RG, TG, WH, WM
22	MM502346	BRACKET, rear	1	1	1											Exc. 61DA, FG, RA, RG, TG, WH, WM
23	MM409895	SERVICE KIT, starter bearing	1	1	1											Inc. Key No. 9, 10 Exc. 61DA, FG, RA, RG, TG, WH, WM

7-02B STARTER

7 ELECTRICAL SYSTEM



7-02B STARTER

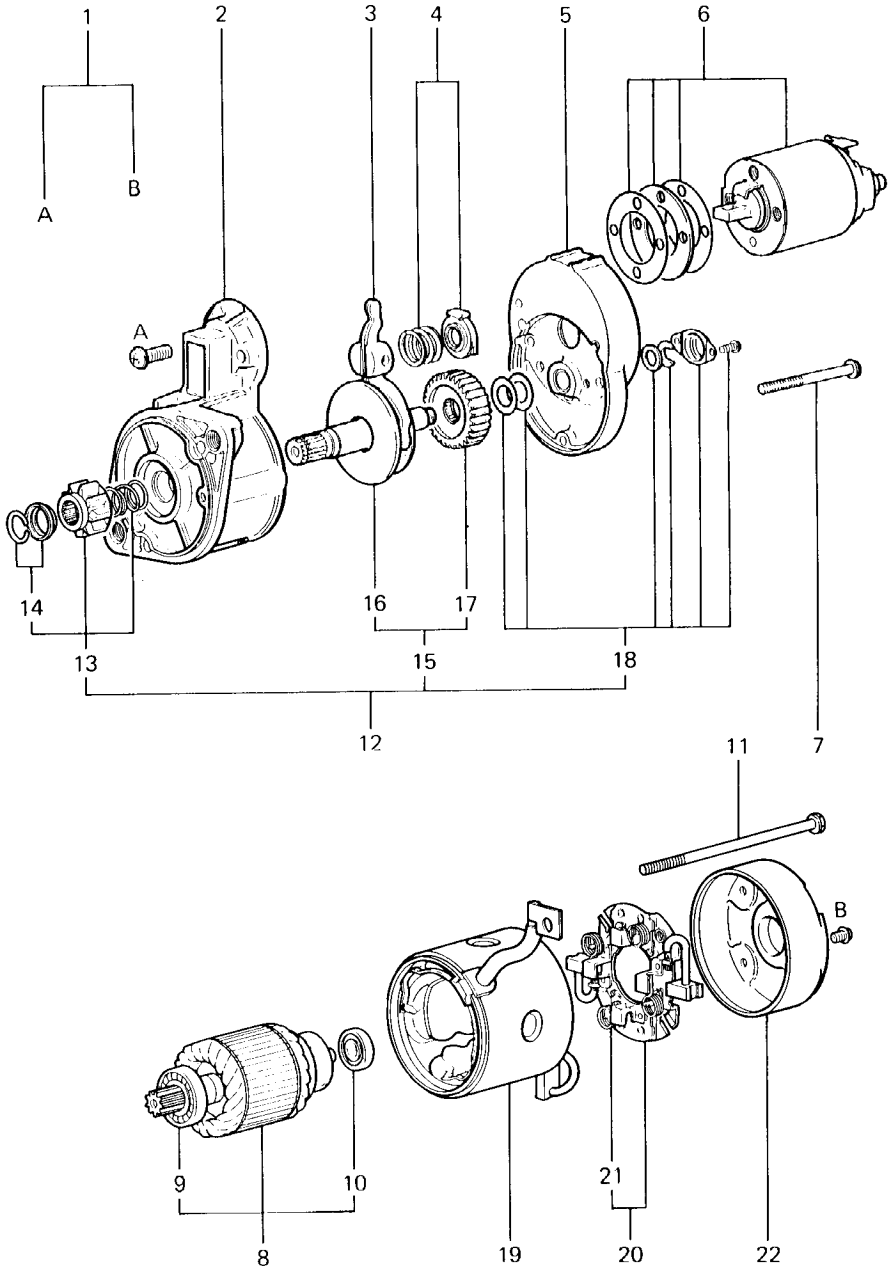
7 ELECTRICAL SYSTEM

見出番号 Key No.	部品番号 Part No.	部品名称 Part Name	型式および所要数 Model & No. Req'd										R / P	E / E	備考 Remarks	
			K 3B	K 3D	K 3E											
1~21	MM409411	STARTER ASSY (12V-2.0KW):M	-	①	-											For 61FG, RG, TG (M003T61171)
1~22	MM409414	STARTER ASSY (12V-1.6KW):M	-	①	-											For 61WH (M002T50391)
	MM409413	STARTER ASSY (12V-2.0KW):M	-	1	1								O	A12	For 61DA, FG, RA, RG, TG, WH (M002T56272)	
1	MD607443	SCREW SET	-	①	-											For 61FG, RG, TG
	MD607631	SCREW SET	-	1	1								X	A12	For 61DA, FG, RA, RG, TG, WH	
2	MM502408	BRACKET ASSY, front	-	①	-											For 61FG, RG, TG
	MM502452	BRACKET ASSY, front	-	1	1								X	A12	For 61DA, FG, RA, RG, TG, WH	
3	MD607445	LEVER ASSY	-	①	-											For 61FG, RG, TG
	MD607633	LEVER ASSY	-	1	1								X	A12	For 61DA, FG, RA, RG, TG, WH	
4	MD607446	SPRING SET	-	1	1											For 61DA, FG, RA, RG, TG, WH
5	MD607447	BRACKET ASSY, center	-	①	-											For 61FG, RG, TG
	MM502441	BRACKET ASSY, center	-	1	1								X	A12	For 61DA, FG, RA, RG, TG, WH	
6	MD607448	SWITCH ASSY	-	①	-											For 61FG, RG, TG
	MD607634	SWITCH ASSY	-	1	1								X	A12	For 61DA, FG, RA, RG, TG, WH	
7	MD607450	ARMATURE SET	-	①	-											For 61FG, RG, TG
	MD607636	ARMATURE SET	-	1	1								X	A12	For 61DA, FG, RA, RG, TG, WH	
8	MD607451	BEARING, front	-	①	-											For 61FG, RG, TG
	MD607643	BEARING, front	-	1	1								X	A12	For 61DA, FG, RA, RG, TG, WH	
9	MD607452	BEARING, rear	-	①	-											For 61FG, RG, TG
	MD607638	BEARING, rear	-	1	1								X	A12	For 61DA, FG, RA, RG, TG, WH	
10	MD602738	BOLT SET	-	①	-											For 61FG, RG, TG
	MD607635	BOLT SET	-	1	1								X	A12	For 61DA, FG, RA, RG, TG, WH	
11	MM502409	SHAFT ASSY, clutch set	-	①	-											For 61FG, RG, TG

見出番号 Key No.	部品番号 Part No.	部品名称 Part Name	型式および所要数 Model & No. Req'd										R / P	E / E	備考 Remarks			
			K	K	K													
			3B	3D	3E													
	MM502438	SHAFT ASSY,clutch set	-	1	1										X	A12	For 61DA,FG,RA,RG, TG,WH	
12	MM502410	PINION SET	-	①	-													For 61FG,RG,TG
	MM502439	PINION SET	-	1	1										X	A12	For 61DA,FG,RA,RG, TG,WH	
13	MD607455	SNAP RING	-	①	-													For 61FG,RG,TG
	ME700124	STOPPER SET	-	1	1										X	A12	For 61DA,FG,RA,RG, TG,WH	
14	MD607456	GEAR SET	-	①	-													For 61FG,RG,TG
	MM502442	GEAR SET	-	1	1										X	A12	For 61DA,FG,RA,RG, TG,WH	
15	MD607457	SHAFT ASSY,pinion	-	①	-													For 61FG,RG,TG
	MD607642	SHAFT ASSY,pinion	-	1	1										X	A12	For 61DA,FG,RA,RG, TG,WH	
16	MD607458	GEAR	-	①	-													For 61FG,RG,TG
	MM502443	GEAR	-	1	1										X	A12	For 61DA,FG,RA,RG, TG,WH	
17	MD607459	COVER SET	-	①	-													For 61FG,RG,TG
	ME700125	COVER SET	-	1	1										X	A12	For 61DA,FG,RA,RG, TG,WH	
18	MM502411	YOKE ASSY	-	①	-													For 61FG,RG,TG
	MD502453	YOKE ASSY	-	1	1										X	A12	For 61DA,FG,RA,RG, TG,WH	
19	MD607461	HOLDER ASSY,brush	-	①	-													For 61FG,RG,TG
	ME700127	HOLDER ASSY,brush	-	1	1										X	A12	For 61DA,FG,RA,RG, TG,WH	
20	MD607462	SPRING,brush	-	④	-													For 61FG,RG,TG
	ME700128	SPRING,brush	-	4	4										X	A12	For 61DA,FG,RA,RG, TG,WH	
21	MM502412	BRACKET,rear	-	①	-													For 61FG,RG,TG
	MD607645	BRACKET,rear	-	1	1										X	A12	For 61DA,FG,RA,RG, TG,WH	
22	MM502444	PAKING	-	1	1													For 61DA,FG,RA,RG, TG,WH

7-02C STARTER

7 ELECTRICAL SYSTEM



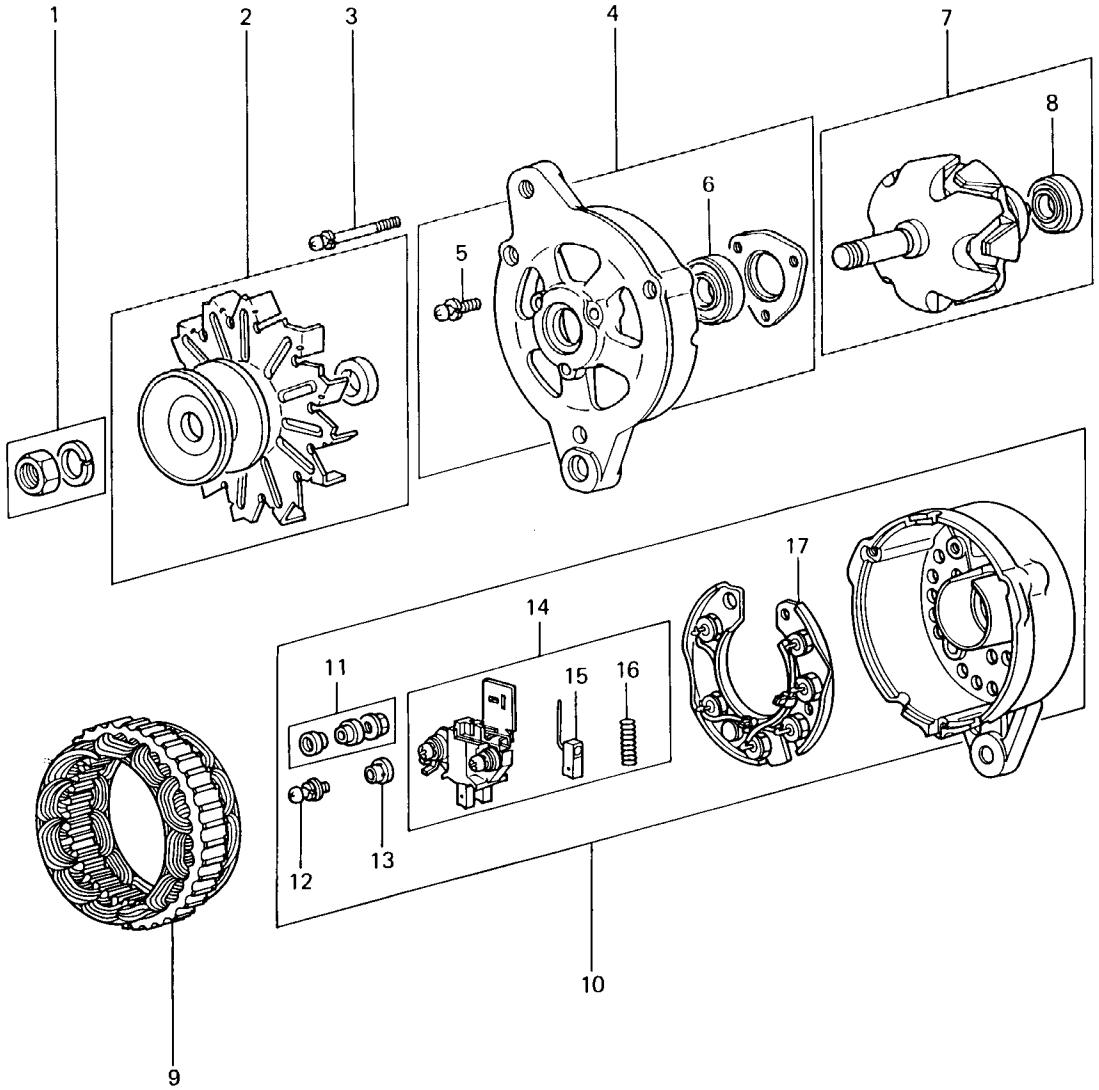
7-02C STARTER

7 ELECTRICAL SYSTEM

見出番号 Key No.	部品番号 Part No.	部品名称 Part Name	型式および所要数 Model & No. Req'd										R / P	E / E	備考 Remarks			
			K	K	K													
			3B	3D	3E													
1~22	MD072585	STARTER ASSY (12V-1.2KW):M	-	1	-												A39	For 61WM
1	MD607432	SCREW ASSY	-	1	-													
2	MD607928	BRACKET ASSY,front	-	1	-													
3	MD607410	LEVER ASSY	-	1	-													
4	MD602963	SPRING SET	-	1	-													
5	MD607548	BRACKET ASSY.center	-	1	-													
6	MD607549	SWITCH ASSY	-	1	-													
7	MM502332	BOLT (5×73)	-	1	-													
8	MD607413	ARMATURE SET	-	1	-													
9	MM502334	BEARING (6002)	-	1	-													
10	MM502335	BEARING (608)	-	1	-													
11	MD607421	BOLT (5×140)	-	2	-													
12	MD607544	SHAFT ASSY,clutch set	-	1	-													
13	MD607545	PINION SET	-	1	-													
14	MD607416	STOPPER SET	-	1	-													
15	MD607539	GEAR SET	-	1	-													
16	MD607540	SHAFT ASSY,pinion	-	1	-													
17	MM502341	GEAR	-	1	-													
18	MM502342	COVER SET	-	1	-													
19	MD607419	YOKE ASSY	-	1	-													
20	MD607420	BRUSH HOLDOR ASSY	-	1	-													
21	MD602210	SPRING,brush	-	4	-													
22	MM502346	BRACKET,rear	-	1	-													

7-03A ALTERNATOR

7 ELECTRICAL SYSTEM



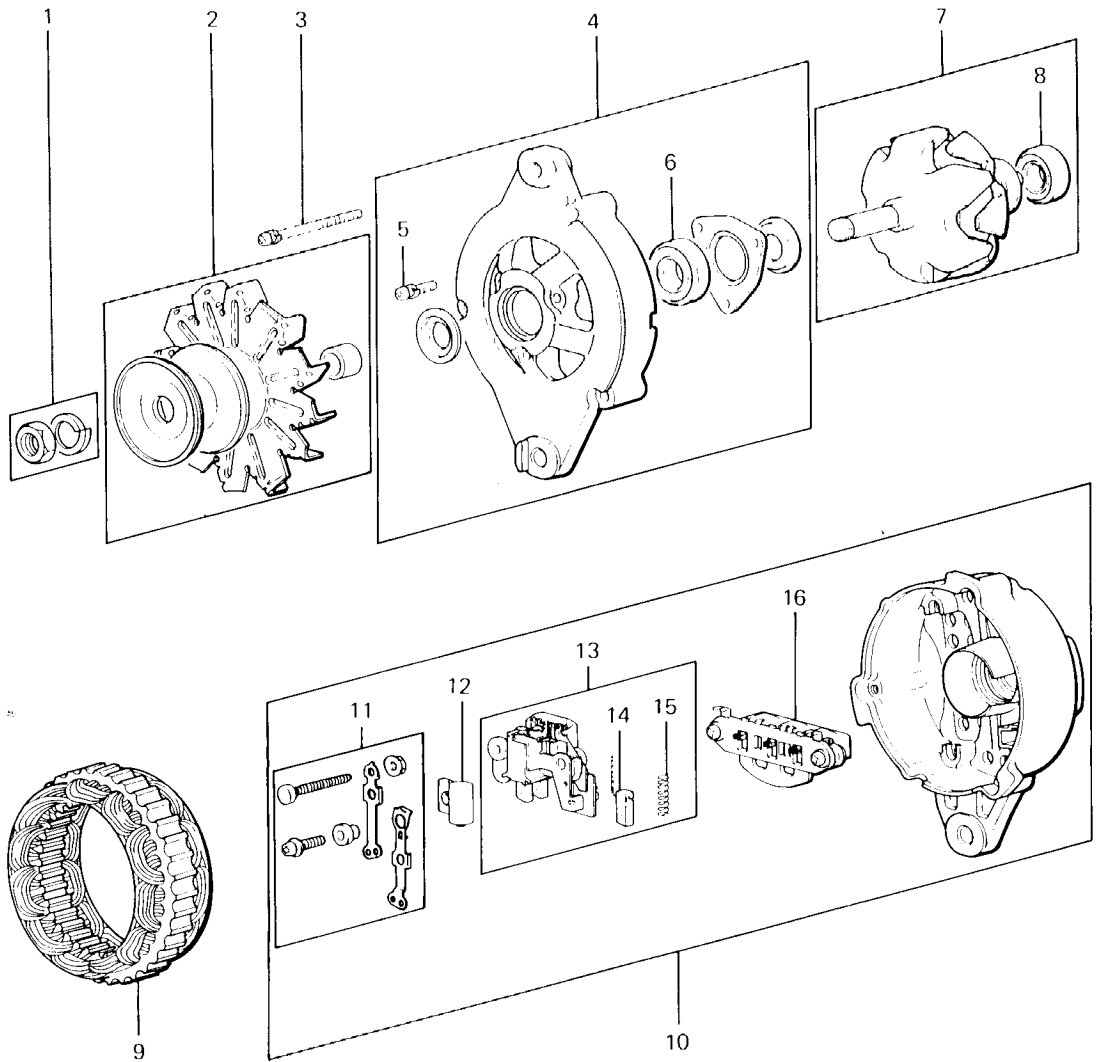
7-03A ALTERNATOR

7 ELECTRICAL SYSTEM

見出番号 Key No.	部品番号 Part No.	部品名称 Part Name	型式および所要数 Model & No. Req'd							R / P	E / E	備考 Remarks
			K	K	K							
			3B	3D	3E							
1~17	MD017645	ALTERNATOR ASSY (12V-35A):M	1	1	1							For 61A,AM,AT,ES, RA,RG,SA,TG,TT (AH2035M4)
	MD017645	ALTERNATOR ASSY (12V-35A):M	-	-	①						A56	For 61EM (AH2035M4)
1	MM502340	NUT SET	1	1	1							
2	MD607170	PULLEY ASSY	1	1	1							
3	MD607212	SCREW SET	1	1	1							
4	MD607267	BRACKET ASSY,front	1	1	1							
5	MD602938	SCREW SET	1	1	1							
6	MD602264	BEARING,front	1	1	1							
7	MM502298	ROTOR ASSY	1	1	1							
8	MD602789	BEARING,rear	1	1	1							
9	MM502299	STATOR	1	1	1							
10	MD607268	BRACKET ASSY,rear	1	1	1							
11	MD607176	NUT SET	1	1	1							
12	MF350769	SCREW,with washer (5×14)	1	1	1							
13	MD602826	MOLD	1	1	1							
14	MD602797	HOLDER ASSY,brush	1	1	1							
15	MD602783	BRUSH	2	2	2							
16	MD602227	SPRING,brush	2	2	2							
17	MD607269	RECTIFIER ASSY	1	1	1							
18	MM409897	SERVICE KIT,brush & bearing	1	1	1							

7-03B ALTERNATOR (For 61EM,WM)

7 ELECTRICAL SYSTEM



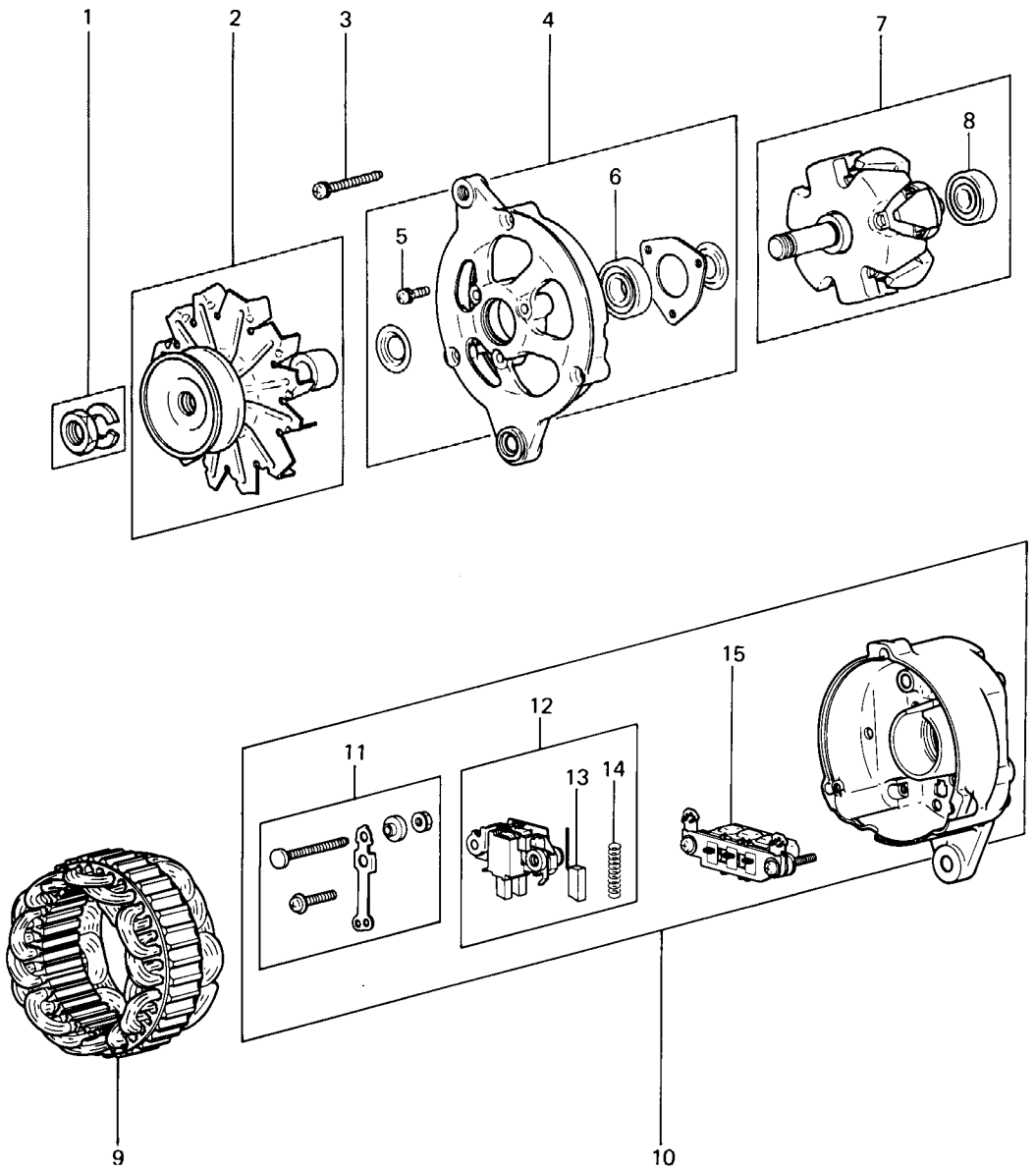
7-03B ALTERNATOR (For 61EM,WM)

7 ELECTRICAL SYSTEM

見出番号 Key No.	部品番号 Part No.	部品名称 Part Name	型式および所要数 Model & No. Req'd							R / P	E / E	備考 Remarks
			K 3B	K 3D	K 3E							
1~16	MM409650	ALTERNATOR ASSY (12V-50A):M	-	1	1							For 61EM,WM (A002A25271)
1	MM502340	NUT SET	-	1	1							
2	MD607258	PULLEY ASSY	-	1	1							
3	MD607212	SCREW SET	-	1	1							
4	MD607367	BRACKET ASSY,front	-	1	1							
5	MD602938	SCREW SET	-	1	1							
6	MM502264	BEARING,front	-	1	1							
7	MD607300	ROTOR ASSY	-	1	1							
8	MD602789	BEARING,rear	-	1	1							
9	MD607369	STATOR	-	1	1							
10	MM502415	BRACKET ASSY,rear	-	1	1							
11	MD607371	TERMINAL SET	-	1	1							
12	MD607262	CONDENSER ASSY	-	1	1							
13	MD607372	REGULATOR ASSY	-	1	1							
14	MD607373	BRUSH	-	2	2							
15	MD602227	SPRING,brush	-	2	2							
16	MM502414	RECTIFIER ASSY	-	1	1							

7-03C ALTERNATOR (For 61FG)

7 ELECTRICAL SYSTEM



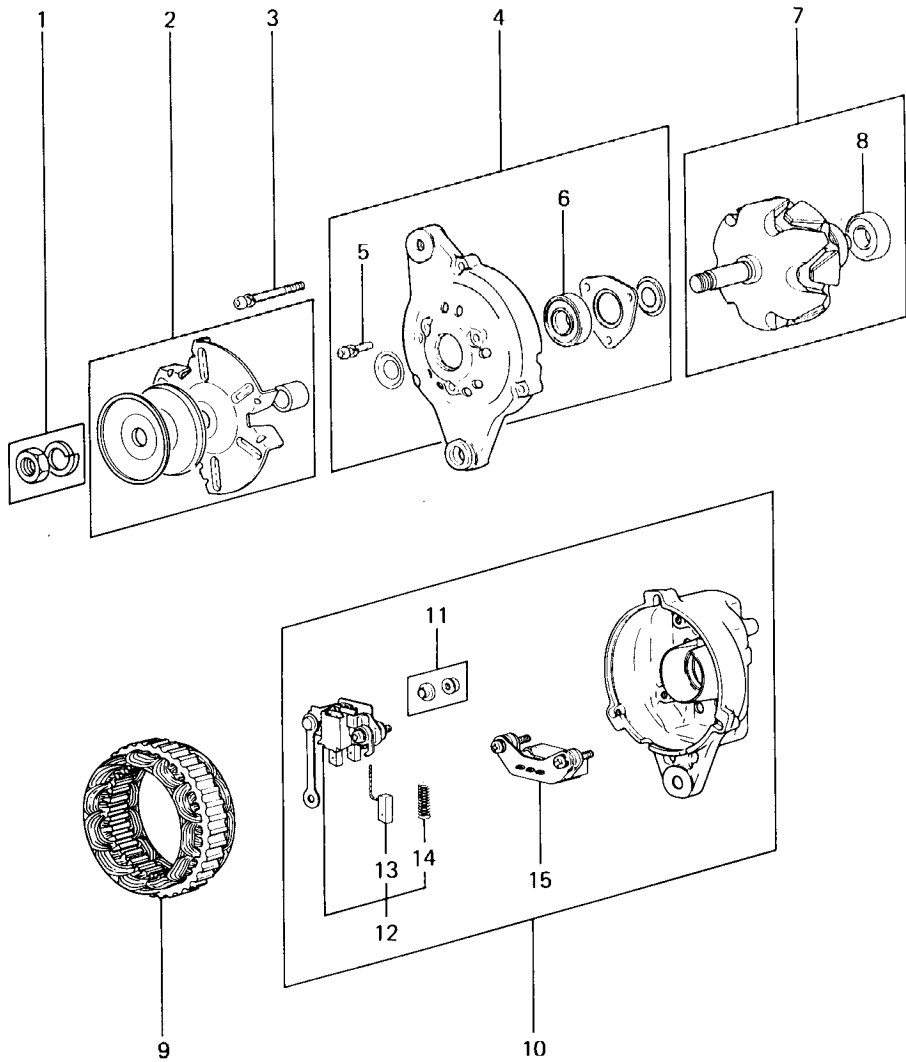
7-03C ALTERNATOR (For 61FG)

7 ELECTRICAL SYSTEM

見出番号 Key No.	部品番号 Part No.	部品名称 Part Name	型式および所要数 Model & No. Req'd										R / P	E / E	備考 Remarks		
			K 3B	K 3D	K 3E												
1~15	MM409752	ALTERNATOR ASSY (12V-35A):M	-	1	-												For 61FG (A001T23874)
1	MM502340	NUT SET	-	1	-												
2	MM502428	PULLEY ASSY	-	1	-												
3	MM502349	SCREW SET	-	1	-												
4	MM502424	BRACKET ASSY,front	-	1	-												
5	MD602938	SCREW SET	-	1	-												
6	MD602859	BEARING,front	-	1	-												
7	MM502298	ROTOR ASSY	-	1	-												
8	MD602789	BEARING,rear	-	1	-												
9	MM502425	STATOR	-	1	-												
10	MM502426	BRACKET ASSY,rear	-	1	-												
11	MM502427	TERMINAL SET	-	1	-												
12	MM502429	BRUSH HOLDER ASSY	-	1	-												
13	MD607373	BRUSH	-	2	-												
14	MD602227	SPRING,brush	-	2	-												
15	MD607429	RECTIFIER ASSY	-	1	-												

7-03D ALTERNATOR (For 61SG)

7 ELECTRICAL SYSTEM



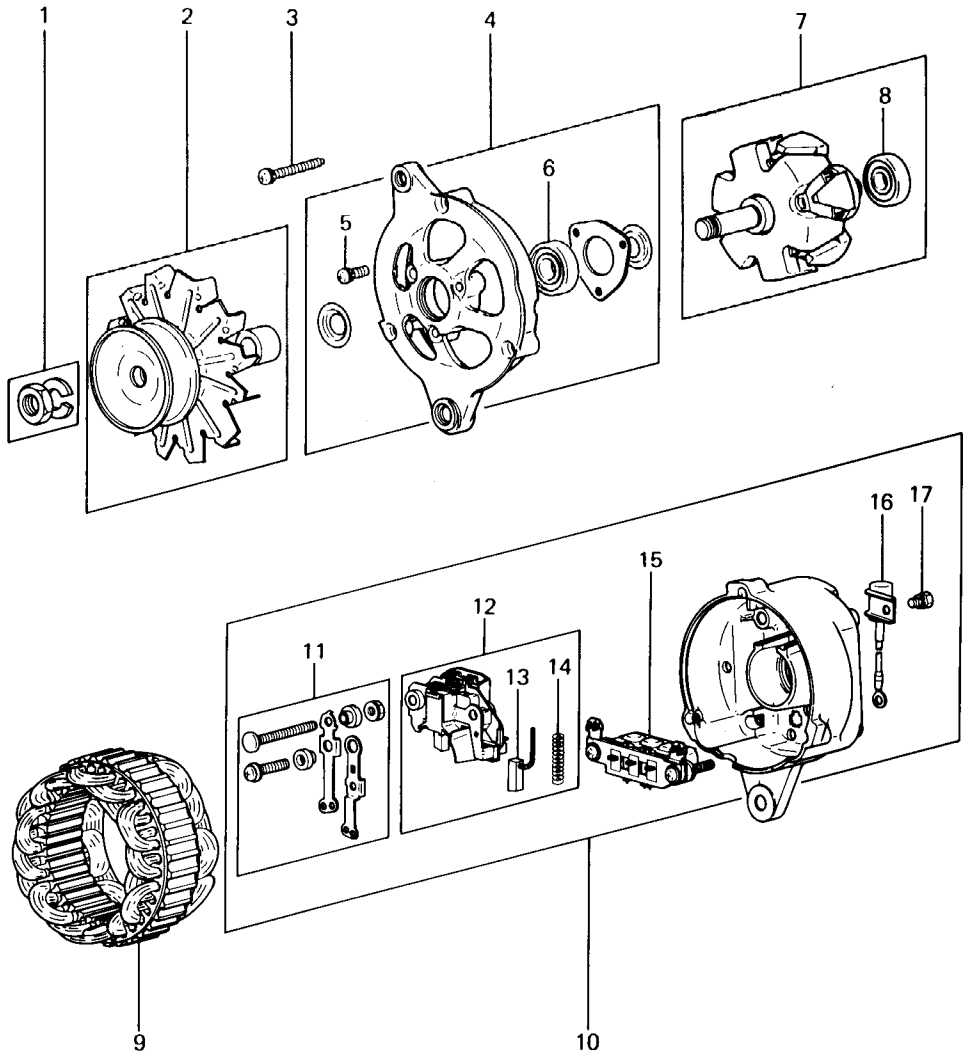
7-03D ALTERNATOR (For 61SG)

7 ELECTRICAL SYSTEM

見出番号 Key No.	部品番号 Part No.	部品名称 Part Name	型式および所要数 Model & No. Req'd										R / P	E / E	備考 Remarks
			K	K	K										
			3B	3D	3E										
1~15	MM407671	ALTERNATOR ASSY (12V-15A):M	1	-	-										For 61SG Model AR2115Z2
1	MM502340	NUT SET	1	-	-										
2	MM502355	PULLEY ASSY	1	-	-										
3	MM502349	SCREW SET	1	-	-										
4	MM502354	BRACKET ASSY	1	-	-										
5	MD602938	SCREW SET	1	-	-										
6	MM502264	BEARING	1	-	-										
7	MD607207	ROTOR ASSY	1	-	-										
8	MD602789	BEARING	1	-	-										
9	MM502350	STATOR	1	-	-										
10	MM502351	BRACKET ASSY, rear	1	-	-										
11	MD607176	NUT SET	1	-	-										
12	MM502353	HOLDER ASSY, brush	1	-	-										
13	MD602783	BRUSH	2	-	-										
14	MD602227	SPRING, brush	2	-	-										
15	MM502352	RECTIFIER ASSY	1	-	-										

7-03E ALTERNATOR

7 ELECTRICAL SYSTEM



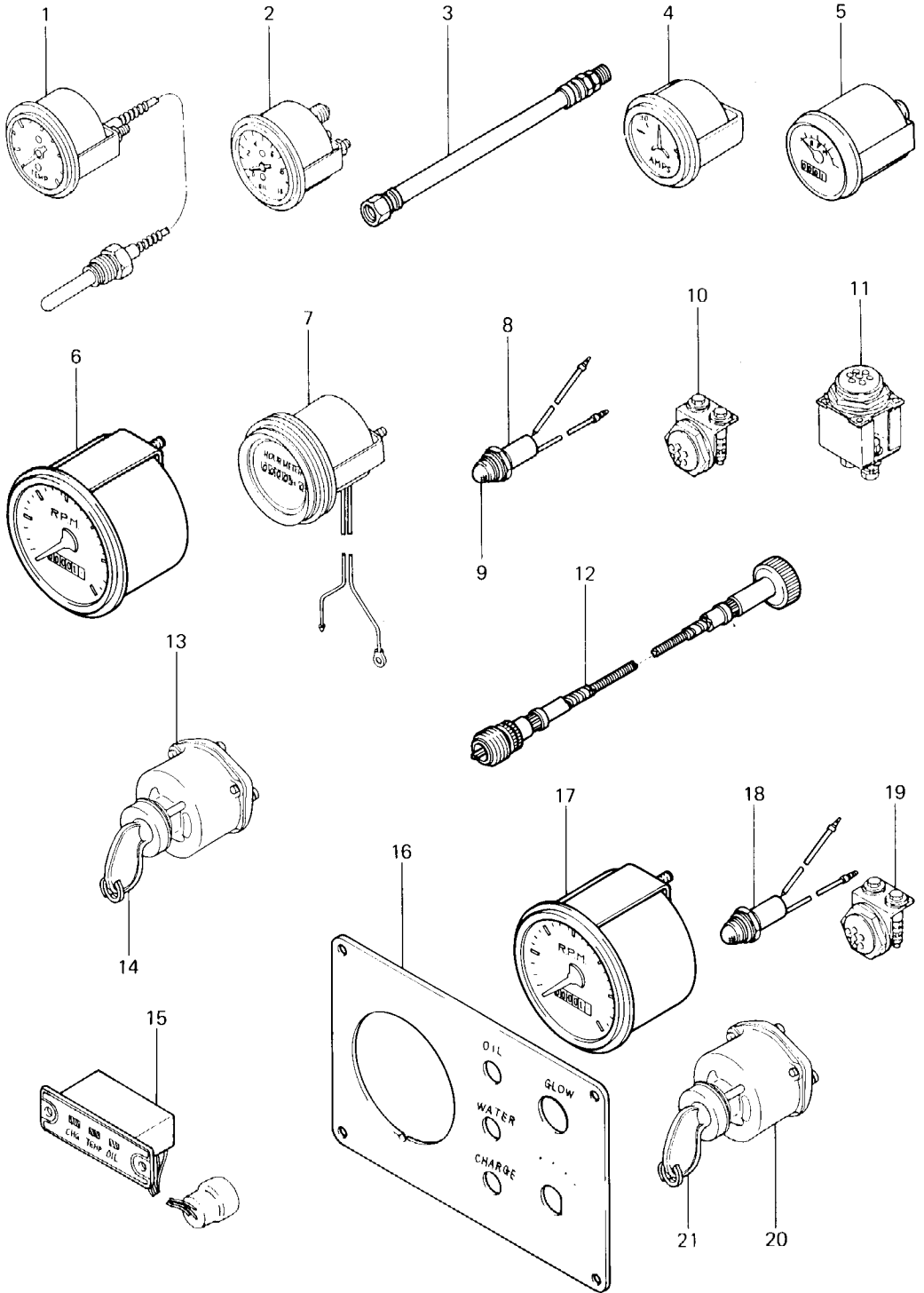
7-03E ALTERNATOR

7 ELECTRICAL SYSTEM

見出番号 Key No.	部品番号 Part No.	部品名称 Part Name	型式および所要数 Model & No. Req'd							R / P	E / E	備考 Remarks
			K 3B	K 3D	K 3E							
1~17	MM409651	ALTERNATOR ASSY (12V-35A)	1	1	1							For 61DA,DM, DMG,DMH,KL,PA,SS,WH (A001T24770)
1	MM502340	NUT SET	1	1	1							
2	MD607800	PULLEY ASSY	1	1	1							
3	MM502349	BOLT SET,through	1	1	1							
4	MM502424	BRACKET ASSY,front	1	1	1							
5	MD602938	SCREW SET	1	1	1							
6	MD602859	BEARING,front	1	1	1							
7	MM502298	ROTOR ASSY	1	1	1							
8	MD602789	BEARING,rear	1	1	1							
9	MD607795	STATOR ASSY	1	1	1							
10	MD607796	BRACKET ASSY,rear	1	1	1							
11	MD607798	THERMINAL SET	1	1	1							
12	MD607799	REGULATOR ASSY	1	1	1							
13	MD607373	BRUSH	2	2	2							
14	MD602227	SPRING,brush	2	2	2							
15	MD607797	RECTIFIER ASSY	1	1	1							
16	MD602798	CONDENSER ASSY	1	1	1							
17	MD602675	BOLT,with washer	1	1	1							

8-01 INSTRUMENT PARTS

8 INSTRUMENT PARTS



8-01 INSTRUMENT PARTS

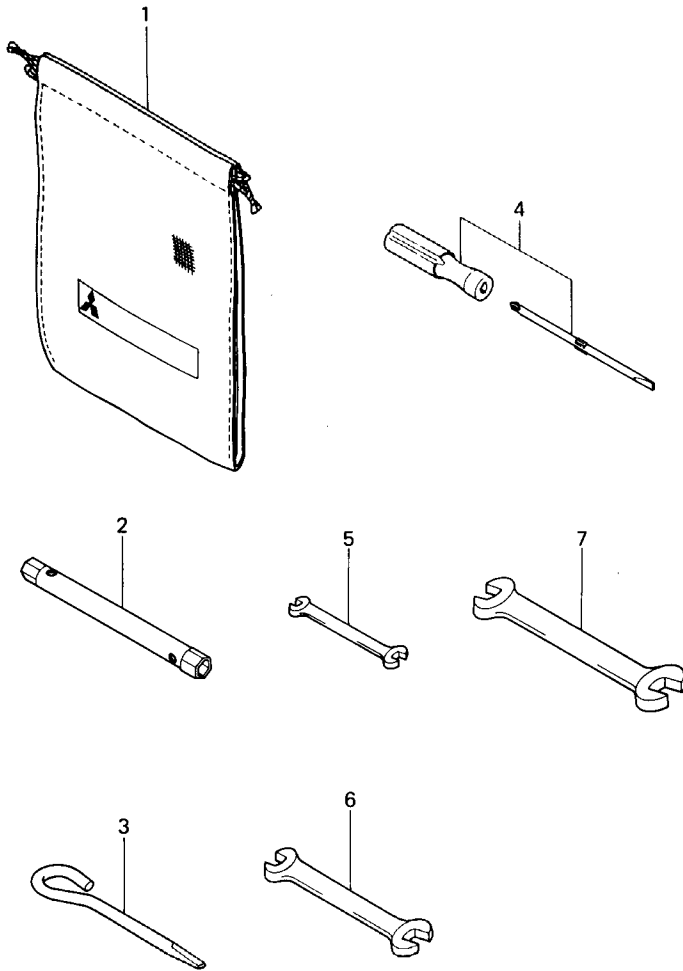
8 INSTRUMENT PARTS

見出番号 Key No.	部品番号 Part No.	部品名称 Part Name	型式および所要数 Model & No. Req'd							R / P	E / E	備考 Remarks
			K	K	K							
			3B	3D	3E							
1	MM201111	GAUGE,temperature (1.0M)	-	1	-							For 61FG
	MM201120	GAUGE,temperature (2.0M)	-	1	-							For 61TT
2	JP0443010	GAUGE,oil pressure (10K)	-	1	-							For 61TT
3	JP0133310	TUBE,oil	-	1	-							For 61TT
4	JP0103300	AMMETER (30A)	-	1	-							For 61TT
5	MM201221	TACHOMETER (with H/M)	-	1	-							For 61FG
6	JP0100260	TACHOMETER (with H/M)	-	1	-							For 61AT,TT
7	MM201112	HOURMETER	-	①	-							For 61FG
8,9	MM201102	LAMP,pilot (charge)	1	1	1							For 61ES,KL,SA,TT,EM
	MM201103	LAMP,pilot (oil press.)	1	1	1							For 61AT,EM,ES,KL,SA
	MM201104	LAMP,pilot (water temp.)	1	1	1							For 61AT,ES,KL,SA
9	MM201106	BULB (12V-0.15A)	3	3	3							For 61ES,KL,SA (TT:1pc.)
	MM201106	BULB (12V-0.15A)	-	2	2							For 61AT,EM
10	MM409400	LAMP,glow (30A)	1	1	1							Exc. 61DM,DMG,DMH, EM,PA,WH,WM
11	MM409515	LAMP,glow (30A)	1	1	-							For 61ES,WH
12	MM201205	WIRE UNIT,tachometer (0.88M)	-	1	-							For 61FG
	JP0301100	WIRE UNIT,tachomwhr (1.0M)	1	1	-					A25		For 61PA
	JP0301150	WIRE UNIT,tachometer (1.5M)	-	1	-							For 61TT
	JP0301300	WIRE UNIT,tachometer (3.0M)	-	1	-							For 61AT
13,14	JP0109950	SWITCH,starting	1	1	1							For 61AT,ES,KL,SA, SG,TT,WH
14	JP0109940	KEY ASSY	1	1	1							For 61AT,ES,KL, SA,SG,TT,WH
15	MM201175	BOX ASSY,pilot lamp	-	1	-					A45		For 61WH
16~21	MM413938	PANEL ASSY,instrument	1	1	-					A25		For 61PA

8-01 INSTRUMENT PARTS

8 INSTRUMENT PARTS

見出番号 Key No.	部品番号 Part No.	部品名称 Part Name	型式および所要数 Model & No. Req'd										R / P	E / E	備考 Remarks		
			K	K	K												
			3B	3D	3E												
16	MM413940	PANEL,instrument	1	1	-												
17	JP0100260	TACHOMETER (with H/M)	1	1	-												
18	MM201122	LAMP,pilot (charge)	1	1	-												
	MM201123	LAMP,pilot (oil press)	1	1	-												
	MM201124	LAMP,pilot (water temp)	1	1	-												
19	MM409400	LAMP,glow (30A)	1	1	-												
20,21	JP0109950	SWITCH,starting	1	1	-												
21	JP0109940	KEY ASSY	1	1	-												



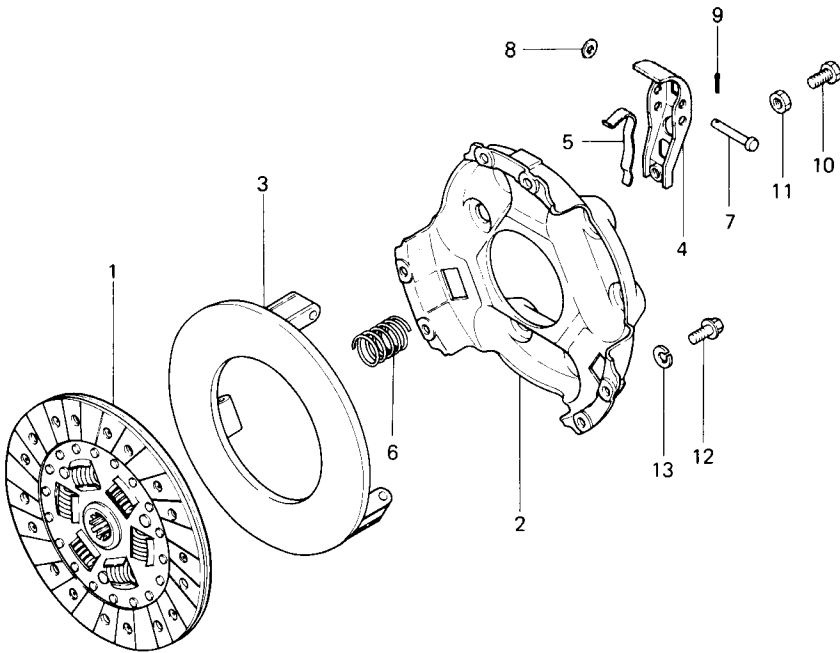
9-01 TOOL

9 TOOL

見出番号 Key No.	部品番号 Part No.	部品名称 Part Name	型式および所要数 Model & No. Req'd							R / P	E / E	備考 Remarks
			K 3B	K 3D	K 3E							
1~7	MM431350	TOOL SET	1	1	-						For 61PA,SG	
	MM413901	TOOL SET	-	1	-						For 61TT	
1	MM431351	BAG,tool	1	1	-						For 61PA,SG	
	MM300784	BAG,tool	-	1	-						For 61TT	
2	K7290130	WRENCH,socket (12×14)	1	1	-						For 61PA,SG,TT	
3	MM300110	DRIVER,screw	-	1	-						For 61TT	
4	MM300564	DRIVER,screw (+&-)	1	1	-						For 61PA,SG	
5	MK96008010	SPANNER,double head (8×10)	-	1	-						For 61TT	
	MK96010013	SPANNER,double head (10×13)	1	1	-						For 61PA,SG	
6	MK96012014	SPANNER,double head (12×14)	1	1	-						For 61PA,SG,TT	
7	MK96017019	SPANNER,double head (17×19)	1	1	-						For 61PA,SG,TT	

10-01 CLUTCH (For 61AT)

10 OUT PUT SYSTEM



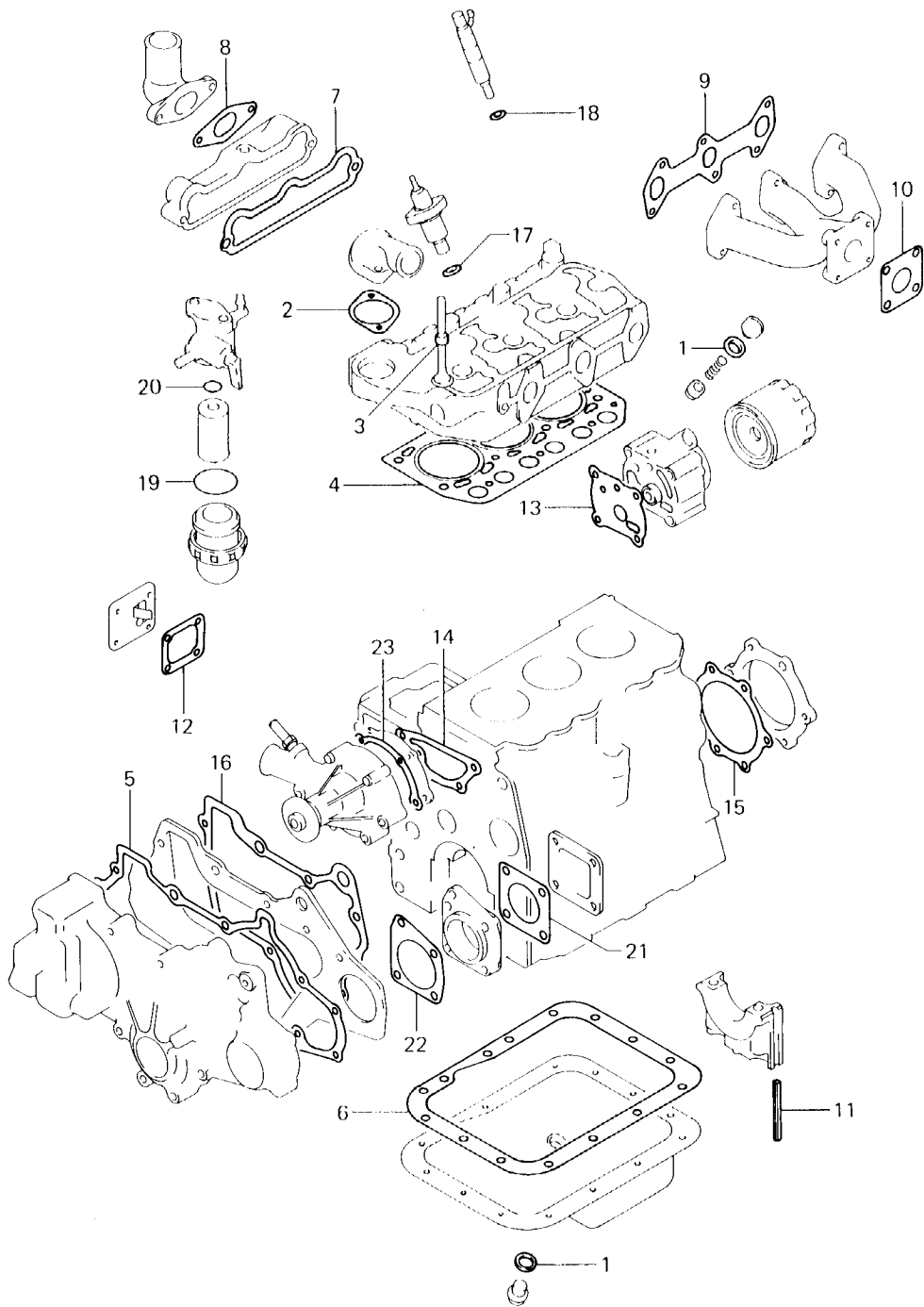
10-01 CLUTCH (For 61AT)

10 OUT PUT SYSTEM

見出番号 Key No.	部品番号 Part No.	部品名称 Part Name	型式および所要数 Model & No. Req'd							R / P	E / E	備考 Remarks
			K	K	K							
			3B	3D	3E							
1	MJ642918	DISC,clutch	-	1	-							
2~11	MJM65481	COVER ASSY,clutch	-	1	-							
2	MJM62921	COVER SUB ASSY,clutch	-	1	-							
3	MJM62913	PLATE,pressure	-	1	-							
4	MJM65482	LEVER,release	-	3	-							
5	MJM62915	CLIP	-	3	-							
6	MJM62916	SPRING,pressure	-	6	-							
7	MJM65483	PIN	-	6	-							
8	MJM62922	WASHER	-	6	-							
9	MJM62923	JIN,sprit	-	6	-							
10	MJM65484	BOLT	-	3	-							
11	MJM62924	NUT	-	3	-							
12	JP1300390	BOLT	-	6	-							
13	MF450405	WASHER,spring (8)	-	6	-							

11-01 REPAIR GASKET KIT

11 REPAIR GASKET KIT



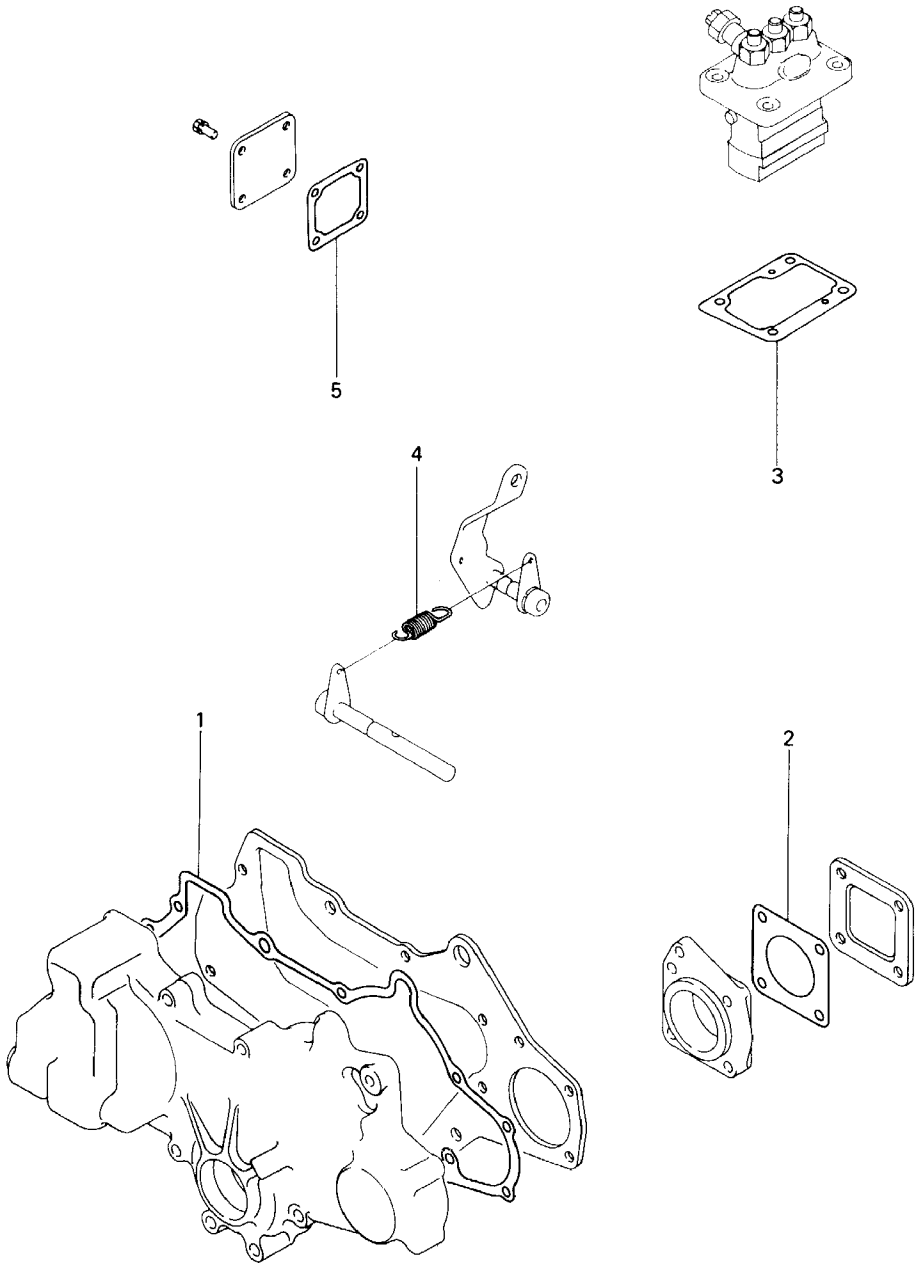
11-01 REPAIR GASKET KIT

11 REPAIR GASKET KIT

見出番号 Key No.	部品番号 Part No.	部品名称 Part Name	型式および所要数 Model & No. Req'd										R / P	E / E	備考 Remarks	
			K	K	K											
			3B	3D	3E											
1~23	MM434002	GASKET KIT	1	-	-											A57
	MM434004	GASKET KIT	-	1	-											A57
	MM434005	GASKET KIT	-	-	1											A57
1	MD000312	GASKET,oil drain plug (18)	2	2	2											
2	MD000551	GASKET	2	2	2											
3	MD016490	SEAL, valve stem	6	6	6											
4	MM408452	GASKET,cylinder head	1	-	-											
	MM408453	GASKET,cylinder head	-	1	-											
	MM409815	GASKET,cylinder head	-	-	1											
5	MM408235	GASKET,gear case	1	1	1											
6	MM408321	GASKET,oil pan	1	1	1											
7	MM408551	GASKET,intake manifold	1	1	1											
8	MM408566	GASKET,inlet pipe	1	1	1											
9	MM408576	GASKET,exhaust manifold	1	1	1											
10	MM408580	GASKET	1	1	1											
	MM408581	GASKET	-	-	1											
11	MM406228	SEAL,side	4	4	4											
12	MM409151	GASKET,cover	1	1	1											
13	MM407124	GASKET,oil pump body	1	1	1											
14	MM407422	GASKET,water pump	1	1	1											
15	MM408205	GASKET,oil seal	1	1	1											
16	MM408226	GASKET,front plate	1	1	1											
17	K6515430	GASKET,nozzle holder	3	3	3											

12-01 RECONSTRUCTION PARTS

12 OPTIONAL PARTS



12-01 RECONSTRUCTION PARTS

12 OPTIONAL PARTS

見出番号 Key No.	部品番号 Part No.	部品名称 Part Name	型式および所要数 Model & No. Req'd										R / P	E / E	備考 Remarks		
			K 3B	K 3D	K 3E												
1	MM408236	GASET,gear cace	-	①	-												For Generator Set For 61WM
	MM408235	GASKET,gear case	-	1	-									O			For Generator Set For 61WM
2	MM401206	GASET,oil pump cover	-	1	-												For Generator Set For 61DM,DMG,DMH,WM
3	MM409042	SHIM,adjusting 0.4t	-	◎	-									A48			For Generator Set For 61WM
4	MM405011	SPRING,governor	-	①	-												For Generator Set For 61WM
	MM409148	SPRING,governor	-	1	-									X A48			For Generator Set For 61WM
5	MM409151	GASKET,tie rod cover	-	1	-												For Generator Set For 61WM

部品変更実施号機

EFFECTIVE ENGINE No.

記号 Mark	エンジン形式 Engine Model	エンジン番号 Engine No.	備考 Remarks
A1	K3D	25086~	
A2	K3B	21918~	
	K3D	4881~	
A3	K3D	6636~	
A4	K3B	26352~	
	K3D	7177~	
A5	K3D	2610~	
A6	K3D-61TG	8901~8908	
A7	K3D	'81/11~	
A8	K3B	'82/3~	
	K3D		
A9	K3B	23652~	
	K3D	7177~	
A10	K3D	7883~	
A11	K3D	11902~	
A12	K3D	12235~	
A13	K3B	'82/2~	
	K3D		
A14	K3B	33454~	
A15	K3D	14643~	
A16	K3B	~33961	
	K3D	~15818	
A17	K3B	33962~	
	K3D	15819~	
A18	K3B	35298~	
	K3D	17691~	
A19	K3B	35528~	
	K3D	18294~	
A20	K3D	16231~	
A21	K3D	11672~	
A22	K3D-61WM	28319~	EY5161
A23	K3B	42962~	
	K3D	31959~	
	K3E	7255~	EY4051
A24	K3D-61DA	28319~	EY5148
A25	K3B-61PA,ES	25894~	
	K3D-61PA	5831~	EY5090
A26	K3E-61KL	13053~	GY5043
A27	K3D-61WM	27903~	EY5142
A28	K3D-61TG	38507~	FY5086

部品変更実施号機

EFFECTIVE ENGINE No.

記号 Mark	エンジン形式 Engine Model	エンジン番号 Engine No.	備考 Remarks
A29	K3B	44457~	FY5023
	K3D	35704~	
	K3E	8200~	
A30	K3B	40872~	EY5106
	K3D	26414~	
	K3E	5831~	
A31	K3D-61DMH	25277~	EY5069
A32	K3E	11616~	FY5204
A33	K3B	43908~	EY5274
A34	K3B	45208~	FY5036
A35	K3D	24253~	A53887
A36	K3D	33333~	EY5277
A37	K3E	8200~	EY5270
A38	K3E	7531~	EY5270
A39	K3D-61WM	41135~	FY5163
A40	K3D-61TT	26354~	EY5063
A41	K3B	39532~	A22278
	K3D	24907~	
	K3E	5176~	
A42	K3D-61WM	30574~	EY5234
A43	K3B-61ES	44457~	FY5033
A44	K3D-61WH	40883~	FY5140
A45	K3D-61WH	26794~	EY5117
A46	K3D-61TG	33268~	FY5000
A47	K3D	27134~	EY5085
A48	K3D-61WM	27134~	EY4021
A49	K3B	45159~	FY5028
	K3D	36425~	
	K3E	8420~	
A50	K3B	43908~	FY5013
	K3D	34582~	
	K3E	7859~	
A51	K3B	45905~	FY5087
	K3D	38723~	
A52	K3B	44457~	EY5025
	K3D	24526~	
	K3E	8200~	
A53	K3B	49579~	FY5180
	K3D	45304~	
	K3E	11810~	
A54	K3B-61SG	37822~	A53890
A55	K3D-61WH	29939~	EY5217

部品変更実施号機

EFFECTIVE ENGINE No.

記号 Mark	エンジン形式 Engine Model	エンジン番号 Engine No.	備 考 Remarks
A56	K3E-61EM	3893～	A53890
A57	K3B	48361～	FY5174
	K3D	42866～	
	K3E	10671～	
A58	K3E	10671～	FY5204

部品番号索引
PART No. INDEX

部品番号 Part No.	ページ-見出番号 Page-Key No.	部品番号 Part No.	ページ-見出番号 Page-Key No.	部品番号 Part No.	ページ-見出番号 Page-Key No.
	59 ... 27	K8344720	70 ... 10	MD000704	19 ... 5
	59 ... 28,29	K8344751	70 ... 15	MD000963	24 ... 23
	59 ... 29	K8344771	70 ... 16	MD001370	64 ... 20
		K8344860	70 ... 12	MD001402	57 ... 1
JP0100260	102 ... 17	K8712630	52 ... 19	MD001482	59 ... 30
	101 ... 6	K9413390	10 ... 19	MD001515	78 ... 8
JP0103300	101 ... 4	K9442113	28 ... 19B	MD001517	77 ... 5
JP0109940	101 ... 14		47 ... 1~8	MD001521	78 ... 9
	102 ... 21	K9443420	47 ... 3	MD001821	79 ... 18
JP0109950	101 ... 13,14	K9443440	47 ... 8	MD002613	21 ... 21
	102 ... 20,21	K9443500	47 ... 1	MD002620	20 ... 16
JP0133310	101 ... 3	K9644010	69 ... 1	MD003330	63 ... 1
JP0301100	101 ... 12	K9644020	69 ... 2	MD003581	64 ... 20
JP0301150	101 ... 12	K9644030	69 ... 3	MD007528	64 ... 15
JP0301300	101 ... 12	K9644040	69 ... 4	MD008762	10 ... 19
JP0443010	101 ... 2	K9644050	69 ... 5	MD008771	64 ... 18
JP1300390	107 ... 12	K9644060	69 ... 6	MD008784	13 ... 1
JP9119290	69 ... 8	K9644110	69 ... 1~6	MD009014	63 ... 1
JP9411091	59 ... 31	K9644171	14 ... 19	MD014236	20 ... 17
JP9417170	79 ... 19		73 ... 3	MD016482	23 ... 15
JP9417180	79 ... 21	K9665400	58 ... 26	MD016483	24 ... 16
K6515430	27 ... 7	K9670260	79 ... 17	MD016490	24 ... 17
	109 ... 17	K9674051	63 ... 2		109 ... 3
K6516441	64 ... 20	M409266	33 ... 1~32	MD017625	78 ... 8
K7231220	24 ... 28	MA143755	67 ... 3	MD017645	77 ... 7
K7290130	105 ... 2	MA143756	67 ... 4		91 ... 1~17
K7631160	23 ... 2	MA604250	65 ... 26	MD020733	13 ... 3
	23 ... 3	MB007570	67 ... 2	MD021662	78 ... 8
K7631161	23 ... 2	MB084014	79 ... 22	MD024812	21 ... 20
K7643431	47 ... 7	MD000268	3 ... 1	MD025280	29 ... 25
K7643461	47 ... 6		57 ... 4	MD030629	21 ... 20
K7643470	47 ... 5	MD000269	5 ... 25	MD030790	57 ... 1
K7644660	70 ... 24	MD000312	9 ... 2	MD031805	59 ... 26
K7644671	70 ... 22		57 ... 3	MD072585	77 ... 1
K7744340	70 ... 21		57 ... 36		89 ... 1~22
K7831160	23 ... 3		109 ... 1	MD502453	86 ... 18
K7910451	10 ... 17	MD000318	9 ... 3	MD602210	82 ... 21
K7944180	70 ... 13	MD000425	23 ... 8		89 ... 21
K8221251	19 ... 3		78 ... 9	MD602227	91 ... 16
K8253211	53 ... 36	MD000522	14 ... 16		93 ... 15
K8344371	70 ... 9~17	MD000523	14 ... 17		95 ... 14
K8344380	70 ... 11	MD000551	64 ... 19		97 ... 14
K8344541	70 ... 14		109 ... 2		99 ... 14
K8344550	70 ... 17	MD000569	74 ... 20	MD602264	91 ... 6
K8344660	70 ... 9	MD000612	21 ... 20	MD602675	99 ... 17

部品番号索引
PART No. INDEX

部品番号 Part No.	ページ-見出番号 Page-Key No.	部品番号 Part No.	ページ-見出番号 Page-Key No.	部品番号 Part No.	ページ-見出番号 Page-Key No.
MD602738	85 ... 10		89 ... 20	MD607938	82 ... 16
MD602783	91 ... 15	MD607421	89 ... 11	MD700127	23 ... 3
	97 ... 13	MD607429	95 ... 15	MD701786	58 ... 15
MD602789	91 ... 8	MD607432	81 ... 1	MD701787	58 ... 16
	93 ... 8		89 ... 1	MD701788	58 ... 17
	95 ... 8	MD607443	85 ... 1	MD701789	58 ... 20
	97 ... 8	MD607445	85 ... 3	MD703856	23 ... 11
	99 ... 8	MD607446	85 ... 4	MD712517	23 ... 2
MD602797	91 ... 14	MD607447	85 ... 5		23 ... 3
MD602798	99 ... 16	MD607448	85 ... 6	MD952231	20 ... 18
MD602826	91 ... 13	MD607450	85 ... 7	ME700124	86 ... 13
MD602859	95 ... 6	MD607451	85 ... 8	ME700125	86 ... 17
	99 ... 6	MD607452	85 ... 9	ME700127	86 ... 19
MD602938	91 ... 5	MD607455	86 ... 13	ME700128	86 ... 20
	93 ... 5	MD607456	86 ... 14	MF100055	27 ... 5
	95 ... 5	MD607457	86 ... 15	MF100064	10 ... 20
	97 ... 5	MD607458	86 ... 16	MF100066	73 ... 12
	99 ... 5	MD607459	86 ... 17	MF100110	6 ... 37
MD602963	81 ... 4	MD607461	86 ... 19	MF101225	53 ... 34
	89 ... 4	MD607462	86 ... 20	MF101259	73 ... 10
MD607170	91 ... 2	MD607539	81 ... 15	MF101260	27 ... 8
MD607176	91 ... 11		89 ... 15	MF101264	64 ... 11
	97 ... 11	MD607540	82 ... 16	MF101267	64 ... 12
MD607207	97 ... 7		89 ... 16	MF101268	58 ... 22
MD607212	91 ... 3	MD607544	89 ... 12	MF140026	78 ... 12A
	93 ... 3	MD607545	89 ... 13	MF240031	63 ... 7
MD607258	93 ... 2	MD607548	89 ... 5	MF240051	4 ... 17
MD607262	93 ... 12	MD607549	89 ... 6		10 ... 21
MD607267	91 ... 4	MD607631	85 ... 1		11 ... 29
MD607268	91 ... 10	MD607633	85 ... 3		9 ... 5
MD607269	91 ... 17	MD607634	85 ... 6		9 ... 8
MD607300	93 ... 7	MD607635	85 ... 10		29 ... 22
MD607367	93 ... 4	MD607636	85 ... 7	MF240053	10 ... 21
MD607369	93 ... 9	MD607638	85 ... 9	MF240054	4 ... 16
MD607371	93 ... 11	MD607642	86 ... 15	MF240059	11 ... 30
MD607372	93 ... 13	MD607643	85 ... 8	MF240080	29 ... 23A
MD607373	93 ... 14	MD607645	86 ... 21	MF241222	52 ... 21
	95 ... 13	MD607795	99 ... 9	MF241223	29 ... 23
	99 ... 13	MD607796	99 ... 10		63 ... 3
MD607410	89 ... 3	MD607797	99 ... 15	MF241224	53 ... 22
MD607413	89 ... 8	MD607798	99 ... 11		58 ... 21
MD607416	81 ... 14	MD607799	99 ... 12	MF241225	24 ... 29
	89 ... 14	MD607800	99 ... 2		63 ... 2
MD607419	89 ... 19	MD607928	89 ... 2	MF241226	53 ... 24
MD607420	82 ... 20	MD607937	82 ... 15	MF241229	54 ... 38

部品番号索引
PART No. INDEX

部品番号 Part No.	ページ-見出番号 Page-Key No.	部品番号 Part No.	ページ-見出番号 Page-Key No.	部品番号 Part No.	ページ-見出番号 Page-Key No.
MF241231	53 ... 22	MF450005	11 ... 27	MJM62915	107 ... 5
MF241251	4 ... 17		27 ... 10	MJM62916	107 ... 6
	23 ... 13	MF450010	20 ... 13	MJM62921	107 ... 2
	78 ... 11	MF450404	70 ... 23	MJM62922	107 ... 8
MF241253	11 ... 31	MF450405	11 ... 26	MJM62923	107 ... 9
MF241255	78 ... 12		53 ... 27	MJM62924	107 ... 11
MF241256	64 ... 21		58 ... 23	MJM65481	107 ... 2~11
MF241257	10 ... 22		64 ... 13	MJM65482	107 ... 4
MF241259	78 ... 11A		74 ... 19	MJM65483	107 ... 7
MF241261	10 ... 21		78 ... 14	MJM65484	107 ... 10
	73 ... 11		107 ... 13	MK66106000	52 ... 14
MF241267	64 ... 21	MF450406	24 ... 34	MK66108000	14 ... 25
	73 ... 12		77 ... 4		30 ... 40
MF241280	13 ... 5	MF450410	20 ... 14		47 ... 2
MF241282	77 ... 2	MF472404	4 ... 18	MK66112000	27 ... 1
MF241284	6 ... 40	MF472535	58 ... 15	MK66114000	28 ... 17
MF241308	5 ... 31	MF472536	58 ... 15		59 ... 27
	6 ... 40	MF476018	23 ... 14	MK96008010	105 ... 5
MF241309	6 ... 40	MF476215	20 ... 15	MK96010013	105 ... 5
MF241315	5 ... 32		23 ... 7	MK96012014	105 ... 6
MF243628	28 ... 16	MF520002	53 ... 28	MK96017019	105 ... 7
MF244823	53 ... 23	MF520004	6 ... 35	MK99200001	51 ... 1
MF244892	24 ... 33	MF520012	58 ... 19	MK99300140	51 ... 2
MF350769	91 ... 12	MF520402	60 ... 41	MM001404	57 ... 2
MF401933	73 ... 13	MF522010	24 ... 31	MM100088	29 ... 31
MF401934	74 ... 17	MF650106	59 ... 37		30 ... 31
MF401936	14 ... 13	MF660031	52 ... 14	MM100089	30 ... 32
	73 ... 13	MF660036	59 ... 27	MM100090	28 ... 18
MF402565	11 ... 24	MF660042	54 ... 43	MM104556	14 ... 15
MF402566	11 ... 24		60 ... 42	MM130066	59 ... 30
MF402574	74 ... 18	MF661011	64 ... 17	MM200116	67 ... 2
MF430004	53 ... 25	MF661013	59 ... 35	MM200127	67 ... 3
MF430005	11 ... 25	MF661019	67 ... 7	MM200214	67 ... 1~4
	14 ... 21	MF661022	67 ... 8	MM200215	67 ... 1~4
	73 ... 14	MF661023	70 ... 19	MM200224	67 ... 5
	78 ... 13	MF661027	70 ... 20	MM200225	67 ... 6
MF430006	6 ... 33	MF665511	4 ... 19	MM200230	67 ... 1~4
	27 ... 9	MF665537	4 ... 20	MM200232	67 ... 1~4
MF430126	20 ... 12	MF665538	3 ... 8	MM200235	67 ... 6
MF430725	53 ... 26		13 ... 8	MM200236	67 ... 5
MF430726	24 ... 30	MF665543	3 ... 9	MM200542	29 ... 25
MF430728	59 ... 29		13 ... 9	MM200550	69 ... 1~6
MF430729	59 ... 29	MH037087	28 ... 18	MM200551	70 ... 22~28
MF450004	29 ... 24	MJ642918	107 ... 1	MM200570	69 ... 2
	53 ... 31	MJM62913	107 ... 3	MM200571	69 ... 2

部品番号索引
PART No. INDEX

部品番号 Part No.	ページ-見出番号 Page-Key No.	部品番号 Part No.	ページ-見出番号 Page-Key No.	部品番号 Part No.	ページ-見出番号 Page-Key No.
MM200573	69 ... 2	MM400955	28 ... 14		109 ... 11
MM201102	101 ... 8,9	MM400956	28 ... 15	MM406235	3 ... 3
MM201103	101 ... 8,9	MM401080	51 ... 3	MM406242	3 ... 4
MM201104	101 ... 8,9	MM401082	54 ... 36	MM406420	9 ... 9
MM201106	101 ... 9	MM401099	53 ... 30	MM406421	9 ... 10
MM201111	101 ... 1	MM401110	27 ... 6	MM406570	20 ... 9
MM201112	101 ... 7		43 ... 3A~10	MM406600	17 ... 1
MM201120	101 ... 1	MM401186	59 ... 33	MM406601	17 ... 1
MM201122	102 ... 18	MM401205	10 ... 15	MM406602	17 ... 1
MM201123	102 ... 18	MM401206	10 ... 18	MM406603	17 ... 1
MM201124	102 ... 18		110 ... 21	MM406610	18 ... 2
MM201175	101 ... 15		113 ... 2	MM406611	18 ... 2
MM201205	101 ... 12	MM401320	70 ... 18	MM406612	18 ... 2
MM201221	101 ... 5	MM401322	70 ... 18	MM406613	18 ... 2
MM300110	105 ... 3	MM401471	65 ... 25	MM406682	23 ... 11
MM300152	43 ... 9	MM401621	78 ... 16	MM406685	23 ... 12
MM300540	60 ... 40	MM402381	24 ... 18	MM406722	23 ... 6
MM300564	105 ... 4	MM402547	19 ... 6	MM406732	24 ... 24
MM300784	105 ... 1	MM402737	24 ... 19	MM406745	24 ... 25
MM302530	17 ... 1	MM402971	27 ... 6	MM407000	51 ... 4
MM302531	17 ... 1		43 ... 1~10	MM407006	51 ... 4
MM302532	17 ... 1	MM403988	54 ... 37	MM407010	51 ... 5
MM302533	17 ... 1	MM404316	13 ... 12	MM407028	51 ... 6
MM304916	27 ... 4	MM404456	59 ... 34	MM407030	51 ... 9
MM306974	73 ... 6	MM404871	47 ... 13	MM407031	51 ... 9
MM314770	24 ... 27	MM404873	47 ... 11	MM407035	51 ... 10
MM315437	67 ... 9	MM404874	47 ... 12	MM407053	51 ... 11
MM315438	67 ... 10	MM404875	47 ... 14	MM407124	58 ... 12
MM315745	73 ... 15	MM404876	48 ... 20		109 ... 13
MM317055	53 ... 29	MM404877	48 ... 21	MM407125	57 ... 6
MM317093	54 ... 40	MM404878	48 ... 19	MM407136	57 ... 2
MM317417	67 ... 12		110 ... 19	MM407137	57 ... 3
MM317465	67 ... 9~12	MM404879	47 ... 18	MM407143	57 ... 7
MM317469	67 ... 11	MM404880	47 ... 16	MM407145	57 ... 9
MM317770	74 ... 21,22	MM404881	47 ... 17	MM407170	58 ... 15~19
MM317772	74 ... 22		110 ... 20	MM407171	58 ... 18
MM400683	11 ... 23	MM404884	47 ... 15	MM407265	23 ... 1
MM400850	69 ... 1~7	MM405011	52 ... 20	MM407422	63 ... 10
MM400851	69 ... 1~7		113 ... 4		109 ... 14
MM400861	28 ... 19	MM405260	59 ... 32	MM407432	64 ... 22
MM400880	28 ... 20	MM405430	63 ... 1	MM407455	63 ... 1
MM400886	30 ... 31A		63 ... 1A	MM407671	77 ... 7
MM400889	48 ... 20	MM405460	63 ... 2		97 ... 1~15
MM400904	30 ... 37	MM406217	3 ... 6	MM408160	5 ... 26
MM400909	30 ... 37	MM406228	3 ... 2	MM408161	5 ... 26

部品番号索引
PART No. INDEX

部品番号 Part No.	ページ-見出番号 Page-Key No.	部品番号 Part No.	ページ-見出番号 Page-Key No.	部品番号 Part No.	ページ-見出番号 Page-Key No.
MM408162	5 ... 26	MM408481	13 ... 11	MM408895	20 ... 10
MM408163	5 ... 26	MM408482	13 ... 6~9	MM408898	28 ... 19A
MM408169	4 ... 11	MM408491	14 ... 18,19		47 ... 9~21
MM408175	4 ... 11	MM408501	14 ... 20	MM408906	23 ... 5
MM408176	4 ... 10	MM408509	14 ... 16	MM408908	23 ... 9
MM408200	4 ... 12	MM408520	18 ... 2	MM408920	24 ... 21
MM408205	4 ... 13	MM408521	18 ... 2	MM408935	24 ... 26
	109 ... 15	MM408522	18 ... 2	MM408950	24 ... 32
MM408212	5 ... 27	MM408523	19 ... 2	MM408964	23 ... 10
MM408216	5 ... 28	MM408536	13 ... 2	MM408992	29 ... 27
MM408221	4 ... 14	MM408541	73 ... 2,3	MM408993	29 ... 25
MM408222	4 ... 14	MM408551	73 ... 4	MM408995	29 ... 25
MM408226	4 ... 15		109 ... 7	MM408998	29 ... 25
	109 ... 16	MM408563	73 ... 5	MM408999	29 ... 25
MM408227	9 ... 11	MM408564	73 ... 5A	MM409013	27 ... 2
MM408228	11 ... 23	MM408565	73 ... 5B		33 ... 1~32
MM408230	9 ... 11	MM408566	73 ... 7	MM409015	27 ... 2
MM408233	9 ... 6		109 ... 8		33 ... 1~32
MM408234	9 ... 7	MM408571	73 ... 8	MM409042	113 ... 3
MM408235	10 ... 13	MM408573	73 ... 8A	MM409054	27 ... 2
	109 ... 5	MM408576	73 ... 9		33 ... 1~32
	113 ... 1		109 ... 9	MM409077	30 ... 39
MM408236	10 ... 13	MM408580	73 ... 1	MM409086	27 ... 11
	113 ... 1		109 ... 10	MM409087	28 ... 12
MM408245	5 ... 30	MM408581	74 ... 23	MM409088	28 ... 13
MM408257	5 ... 27A		109 ... 10	MM409094	27 ... 11
MM408303	9 ... 1~3	MM408590	73 ... 16	MM409095	28 ... 12
MM408321	9 ... 4	MM408790	19 ... 4~6	MM409096	28 ... 13
	109 ... 6	MM408795	19 ... 8	MM409102	29 ... 30~36
MM408323	9 ... 1~3	MM408796	19 ... 8	MM409103	29 ... 30~35
MM408341	3 ... 5~10	MM408797	19 ... 8	MM409121	28 ... 21
MM408343	3 ... 5~10	MM408798	20 ... 8		29 ... 21
MM408359	3 ... 5~10	MM408811	20 ... 10	MM409124	29 ... 30~35
MM408391	13 ... 6~9	MM408812	20 ... 11	MM409142	51 ... 11
MM408394	13 ... 6~9	MM408820	20 ... 11	MM409148	52 ... 20
MM408414	13 ... 6~9	MM408822	20 ... 11		113 ... 4
MM408441	13 ... 7	MM408850	5 ... 29	MM409150	52 ... 12
MM408450	24 ... 20	MM408855	20 ... 19,20	MM409151	52 ... 18
MM408452	13 ... 10	MM408872	28 ... 19A		109 ... 12
	109 ... 4		47 ... 9~21		113 ... 5
MM408453	13 ... 10	MM408873	47 ... 9,10	MM409152	51 ... 7
	109 ... 4	MM408880	27 ... 6A	MM409157	51 ... 8
MM408455	24 ... 21		43 ... 1A~10	MM409166	52 ... 13~16
MM408459	24 ... 35	MM408887	21 ... 19,20	MM409167	52 ... 16
MM408470	13 ... 4	MM408894	47 ... 9,10	MM409168	52 ... 15

部品番号索引
PART No. INDEX

部品番号 Part No.	ページ-見出番号 Page-Key No.	部品番号 Part No.	ページ-見出番号 Page-Key No.	部品番号 Part No.	ページ-見出番号 Page-Key No.
MM409169	52 ... 17	MM409371	57 ... 1~11	MM409670	54 ... 39
MM409173	53 ... 35	MM409372	57 ... 7	MM409671	54 ... 44
MM409181	51 ... 8A	MM409373	57 ... 4		60 ... 38
MM409182	51 ... 7A	MM409380	65 ... 25	MM409672	54 ... 45
MM409186	52 ... 20	MM409381	65 ... 25	MM409675	79 ... 27
MM409193	57 ... 1~10	MM409400	101 ... 10	MM409678	54 ... 40
MM409197	57 ... 1~11		102 ... 19	MM409680	52 ... 13~16
MM409201	57 ... 5	MM409410	77 ... 1	MM409682	52 ... 11
MM409204	57 ... 8		81 ... 1~23	MM409685	54 ... 41
MM409210	59 ... 32~35	MM409411	77 ... 1	MM409686	54 ... 42
MM409213	52 ... 13~16		85 ... 1~21	MM409689	54 ... 46
MM409215	59 ... 28,29	MM409413	77 ... 1	MM409692	52 ... 20
MM409226	6 ... 34		85 ... 1~22	MM409700	3 ... 5~10
MM409230	10 ... 14	MM409414	77 ... 1	MM409710	9 ... 1~3
MM409235	10 ... 16		81 ... 1~23	MM409718	10 ... 12
	110 ... 22		85 ... 1~22	MM409719	9 ... 11A
MM409237	51 ... 11	MM409420	77 ... 3	MM409730	19 ... 2A
MM409239	52 ... 19	MM409427	77 ... 3	MM409733	19 ... 4~7
MM409240	23 ... 1	MM409451	78 ... 8	MM409741	3 ... 3A
MM409242	57 ... 1~11	MM409460	78 ... 10A	MM409742	30 ... 39
MM409243	57 ... 7	MM409463	78 ... 10	MM409752	78 ... 7
MM409244	57 ... 5		78 ... 10A		95 ... 1~15
MM409245	23 ... 1	MM409464	78 ... 10A	MM409753	18 ... 1A
MM409256	6 ... 36	MM409466	79 ... 23	MM409763	73 ... 5A
MM409257	6 ... 34A	MM409467	77 ... 6	MM409765	18 ... 1A
MM409266	27 ... 2	MM409510	78 ... 16	MM409766	18 ... 1A
	33 ... 1~32	MM409511	79 ... 17	MM409767	18 ... 1A
MM409278	27 ... 2	MM409515	101 ... 11	MM409814	13 ... 6~9
	33 ... 1~32	MM409577	5 ... 28	MM409815	13 ... 10
MM409301	63 ... 4	MM409605	20 ... 8		109 ... 4
MM409303	63 ... 4	MM409606	20 ... 8	MM409842	27 ... 2
MM409304	64 ... 23	MM409607	20 ... 8		33 ... 1~32
	63 ... 8A	MM409608	20 ... 8	MM409880	29 ... 28
MM409305	64 ... 15	MM409640	52 ... 13~16	MM409881	29 ... 26
MM409307	64 ... 15	MM409645	3 ... 1	MM409882	29 ... 29
MM409320	77 ... 6	MM409650	77 ... 7	MM409891	27 ... 3
MM409326	63 ... 5		93 ... 1~16	MM409892	47 ... 17~19
	110 ... 23	MM409651	78 ... 7	MM409893	58 ... 13
MM409327	63 ... 6		99 ... 1~17	MM409894	58 ... 14
MM409328	77 ... 6	MM409655	78 ... 10	MM409895	82 ... 23
MM409330	64 ... 16	MM409656	77 ... 6A	MM409897	91 ... 18
MM409345	59 ... 28,29	MM409660	79 ... 20	MM409983	14 ... 22
MM409350	63 ... 1	MM409661	79 ... 24	MM409984	14 ... 23
MM409365	59 ... 26	MM409662	79 ... 25	MM412614	9 ... 1~3
MM409370	57 ... 1~11	MM409663	79 ... 26	MM412635	9 ... 1~3

部品番号索引
PART No. INDEX

部品番号 Part No.	ページ-見出番号 Page-Key No.	部品番号 Part No.	ページ-見出番号 Page-Key No.	部品番号 Part No.	ページ-見出番号 Page-Key No.
MM412636	9 ... 1~3	MM430441	51 ... 8	MM432996	17 ... 1
MM412710	5 ... 26	MM430598	58 ... 15~19	MM432997	17 ... 1
MM412711	5 ... 26	MM430604	17 ... 1	MM433032	29 ... 21A
MM412712	5 ... 26	MM430613	3 ... 3	MM433046	18 ... 2
MM412713	5 ... 26	MM430614	28 ... 15	MM433047	18 ... 2
MM412765	18 ... 2	MM430623	60 ... 39	MM433048	18 ... 2
MM412766	18 ... 2	MM430637	51 ... 4	MM433049	19 ... 2
MM412767	18 ... 2	MM430703	28 ... 14	MM433050	17 ... 1
MM412768	18 ... 2	MM430740	51 ... 5A	MM433051	17 ... 1
MM412780	19 ... 2A	MM430859	20 ... 9	MM433052	17 ... 1
MM412781	19 ... 2A	MM430867	20 ... 19,20	MM433053	18 ... 1
MM412782	19 ... 2A	MM430927	51 ... 5	MM433322	64 ... 23A
MM412912	20 ... 11	MM431347	9 ... 1~3		63 ... 8B,9
MM412924	21 ... 19,20	MM431350	105 ... 1~7	MM433340	17 ... 1
MM412927	21 ... 19,20	MM431351	105 ... 1	MM433341	17 ... 1
MM412929	21 ... 21	MM431417	6 ... 38	MM433342	17 ... 1
MM412946	21 ... 19,20	MM431530	9 ... 4	MM433343	17 ... 1
MM412960	5 ... 29A	MM431535	6 ... 39	MM433423	27 ... 2
MM412962	5 ... 29B	MM431538	5 ... 29B		33 ... 1~32
MM413104	30 ... 35	MM431553	29 ... 21B	MM433424	63 ... 4
MM413107	30 ... 34	MM431567	28 ... 11	MM433507	64 ... 22~24
MM413119	30 ... 36	MM431568	28 ... 12	MM433759	19 ... 2A
MM413132	30 ... 33	MM431569	28 ... 13	MM433894	27 ... 2
MM413255	27 ... 2	MM431579	18 ... 1A		33 ... 1~32
	33 ... 1~32	MM431601	17 ... 1	MM434002	109 ... 1~23
MM413360	54 ... 41	MM431602	17 ... 1	MM434004	109 ... 1~23
MM413362	54 ... 44	MM431603	17 ... 1	MM434005	109 ... 1~23
MM413410	53 ... 32	MM431631	18 ... 1A	MM434062	79 ... 28
MM413411	53 ... 33	MM431632	18 ... 1A	MM434136	63 ... 1
MM413500	23 ... 4	MM431633	18 ... 1A	MM434154	13 ... 6~9
MM413858	3 ... 5~10	MM431777	59 ... 30	MM434157	19 ... 2A
MM413860	3 ... 5~10	MM431987	24 ... 32	MM434158	19 ... 2A
MM413891	3 ... 5~10	MM431988	14 ... 24	MM434159	19 ... 2A
MM413901	105 ... 1~7	MM432044	13 ... 2	MM500114	34 ... 20
MM413938	101 ... 16~21	MM432045	110 ... 18	MM500135	43 ... 7
MM413940	102 ... 16	MM432403	9 ... 1A~3	MM500136	43 ... 6
MM430113	4 ... 11	MM432469	3 ... 5~10	MM500137	43 ... 8
MM430145	19 ... 7	MM432472	14 ... 18,19	MM500224	33 ... 2
MM430174	59 ... 28,29	MM432643	24 ... 32A	MM500227	33 ... 5
MM430176	59 ... 28,29	MM432929	19 ... 2A	MM500229	34 ... 7
MM430181	3 ... 5~10	MM432930	19 ... 2A	MM500230	34 ... 10
MM430182	3 ... 5~10	MM432931	19 ... 2A	MM500231	34 ... 14
MM430236	3 ... 5~10	MM432932	19 ... 2A	MM500299	34 ... 21
MM430296	9 ... 1	MM432994	17 ... 1	MM500309	34 ... 21
MM430419	58 ... 16	MM432995	17 ... 1	MM500310	34 ... 21

部品番号索引
PART No. INDEX

部品番号 Part No.	ページ-見出番号 Page-Key No.	部品番号 Part No.	ページ-見出番号 Page-Key No.	部品番号 Part No.	ページ-見出番号 Page-Key No.
MM500311	34 ... 21	MM501179	33 ... 6	MM501347	39 ... 30
MM500312	35 ... 21	MM501200	33 ... 6	MM501348	39 ... 30
MM500314	35 ... 21	MM501207	34 ... 11	MM501349	39 ... 30
MM500315	35 ... 21	MM501225	36 ... 26	MM501350	39 ... 30
MM500316	34 ... 12	MM501226	36 ... 26	MM501351	39 ... 30
MM500336	33 ... 4	MM501227	36 ... 26	MM501352	39 ... 30
MM500360	34 ... 9	MM501228	37 ... 26	MM501364	35 ... 21
MM500403	34 ... 19	MM501229	37 ... 26	MM501365	35 ... 21
MM500429	40 ... 32	MM501230	39 ... 31	MM501378	40 ... 31
MM500431	35 ... 23	MM501240	43 ... 4	MM501382	37 ... 28
MM500438	34 ... 13	MM501241	40 ... 31	MM501459	35 ... 22
MM500441	43 ... 2	MM501244	34 ... 17	MM501460	39 ... 31
MM500507	37 ... 27	MM501245	43 ... 3	MM501496	35 ... 25
MM500785	43 ... 5	MM501246	35 ... 21	MM501497	37 ... 29
MM500786	43 ... 5	MM501247	35 ... 22	MM501498	37 ... 29
MM500787	43 ... 5	MM501254	34 ... 6	MM501499	37 ... 29
MM500795	43 ... 5	MM501256	37 ... 28	MM501500	37 ... 29
MM500796	43 ... 5	MM501257	37 ... 29	MM501501	37 ... 29
MM500797	43 ... 5	MM501258	37 ... 29	MM501507	33 ... 2
MM500798	43 ... 5	MM501259	37 ... 29	MM501518	40 ... 31
MM500799	43 ... 5	MM501260	37 ... 29	MM501563	37 ... 30
MM500907	43 ... 4	MM501261	37 ... 29	MM501564	37 ... 30
MM500908	44 ... 10	MM501263	37 ... 30	MM501565	38 ... 30
MM500909	43 ... 1	MM501264	37 ... 30	MM501566	38 ... 30
MM500910	43 ... 3	MM501265	38 ... 30	MM501567	38 ... 30
MM500928	35 ... 24	MM501266	38 ... 30	MM501568	38 ... 30
MM501046	33 ... 5	MM501267	38 ... 30	MM501569	38 ... 30
MM501047	33 ... 3	MM501268	38 ... 30	MM501570	38 ... 30
MM501060	35 ... 26	MM501269	38 ... 30	MM501571	38 ... 30
MM501061	35 ... 26	MM501270	38 ... 30	MM501572	38 ... 30
MM501062	35 ... 26	MM501271	38 ... 30	MM501573	38 ... 30
MM501063	36 ... 26	MM501272	38 ... 30	MM501582	38 ... 30
MM501064	36 ... 26	MM501273	38 ... 30	MM501583	38 ... 30
MM501065	36 ... 26	MM501274	38 ... 30	MM501584	39 ... 30
MM501066	36 ... 26	MM501276	43 ... 3A	MM501585	39 ... 30
MM501067	36 ... 26	MM501311	34 ... 11	MM501586	39 ... 30
MM501073	35 ... 22	MM501312	33 ... 1	MM501587	39 ... 30
MM501077	34 ... 16	MM501320	34 ... 19	MM501588	39 ... 30
MM501098	34 ... 8	MM501331	34 ... 6	MM501589	39 ... 30
MM501100	43 ... 1A	MM501336	35 ... 22	MM501590	39 ... 30
MM501152	34 ... 18	MM501340	39 ... 31	MM501591	39 ... 30
MM501157	34 ... 6	MM501343	38 ... 30	MM501592	39 ... 30
MM501159	33 ... 1	MM501344	38 ... 30	MM501602	35 ... 26
MM501161	33 ... 3	MM501345	39 ... 30	MM501603	35 ... 26
MM501162	34 ... 15	MM501346	39 ... 30	MM501604	35 ... 26

部品番号索引
PART No. INDEX

部品番号 Part No.	ページ-見出番号 Page-Key No.	部品番号 Part No.	ページ-見出番号 Page-Key No.	部品番号 Part No.	ページ-見出番号 Page-Key No.
MM501605	35 ... 26		97 ... 1	MM502484	81 ... 2
MM501606	35 ... 26		99 ... 1	MM502485	81 ... 3
MM501607	35 ... 26	MM502341	82 ... 17	MM502487	81 ... 12
MM501608	35 ... 26		89 ... 17	MM510020	47 ... 4
MM501609	36 ... 26	MM502342	82 ... 18	MM510021	70 ... 26
MM501610	36 ... 26		89 ... 18	MM510022	70 ... 25
MM501611	36 ... 26	MM502346	82 ... 22	MM510024	71 ... 28
MM501612	36 ... 26		89 ... 22	MM510047	69 ... 4
MM501613	36 ... 26	MM502347	81 ... 11	MM510049	69 ... 3
MM501614	36 ... 26	MM502349	95 ... 3	MM510069	69 ... 1
MM501615	36 ... 26		97 ... 3	MM510070	69 ... 6
MM501616	36 ... 26		99 ... 3	MM510071	69 ... 5
MM501617	36 ... 26	MM502350	97 ... 9	MM510073	69 ... 7
MM501637	36 ... 26	MM502351	97 ... 10	MM510079	69 ... 1
MM501638	36 ... 26	MM502352	97 ... 15	MM510080	69 ... 6
MM501639	36 ... 26	MM502353	97 ... 12	MM510081	69 ... 5
MM501640	36 ... 26	MM502354	97 ... 4	MS401434	11 ... 23
MM501641	36 ... 26	MM502355	97 ... 2	MS450035	58 ... 24
MM501642	36 ... 26	MM502395	81 ... 12		64 ... 14
MM501643	37 ... 26	MM502396	81 ... 13		78 ... 15
MM501644	37 ... 26	MM502397	82 ... 19	MS471104	4 ... 21
MM501645	37 ... 26	MM502398	81 ... 2	MS471105	4 ... 22
MM501646	37 ... 26	MM502408	85 ... 2	MS471110	4 ... 23
MM501651	40 ... 31	MM502409	85 ... 11	MS660004	30 ... 38
MM501765	39 ... 31	MM502410	86 ... 12	MS660031	70 ... 20
MM501953	39 ... 31	MM502411	86 ... 18	MS660163	30 ... 38
MM502264	93 ... 6	MM502412	86 ... 21	MS661120	14 ... 14
	97 ... 6	MM502414	93 ... 16		58 ... 11
MM502298	91 ... 7	MM502415	93 ... 10		58 ... 25
	95 ... 7	MM502424	95 ... 4	MS661121	4 ... 24
	99 ... 7		99 ... 4		58 ... 10
MM502299	91 ... 9	MM502425	95 ... 9	MS661122	14 ... 15
MM502329	81 ... 3	MM502426	95 ... 10		64 ... 24
MM502330	81 ... 4	MM502427	95 ... 11		63 ... 8
MM502331	81 ... 5	MM502428	95 ... 2		63 ... 9
MM502332	81 ... 7	MM502429	95 ... 12	MS661123	11 ... 28
	89 ... 7	MM502438	86 ... 11	MS661140	14 ... 14
MM502333	81 ... 8	MM502439	86 ... 12	MS661141	4 ... 24A
MM502334	81 ... 9	MM502441	85 ... 5		
	89 ... 9	MM502442	86 ... 14	0482622500	3 ... 8
MM502335	81 ... 10	MM502443	86 ... 16		13 ... 8
	89 ... 10	MM502444	86 ... 22	0482624500	4 ... 9
MM502340	91 ... 1	MM502452	85 ... 2		13 ... 9
	93 ... 1	MM502461	81 ... 6		
	95 ... 1	MM502465	81 ... 6		



MITSUBISHI HEAVY INDUSTRIES, LTD.

No.5-1, Marunouchi, 2-chome Chiyoda-ku, Tokyo Japan.
Phone: Tokyo (03)212-3111 Telex: J22282, J22443 HISHIJU

MM201421