

INSTALLATION MANUAL COLOR GPS/PLOTTER GP-1650W/1650WD

SYSTEM CONFIGURATION	i
EQUIPMENT LISTS	ii
1. INSTALLATION	1
1.1 Installation of Display Unit.....	1
1.2 Installation of Antenna Unit.....	3
2. WIRING.....	4
3. INITIAL SETTINGS	8
3.1 NMEA Setting	8
3.2 Output Data Sentences	10
3.3 Antenna Height.....	11
3.4 DGPS Setting	12
4. INCORPORATION OF DGPS BEACON RECEIVER KIT (for GP-1650W)	14
PACKING LISTS	
OUTLINE DRAWINGS	
INTERCONNECTION DIAGRAM	
SCHEMATIC DIAGRAM	



© **FURUNO ELECTRIC CO., LTD.**

9-52 Ashihara-cho,
Nishinomiya, Japan

Telephone : 0798-65-2111

Telefax : 0798-65-4200

Your Local Agent/Dealer

All rights reserved.

Printed in Japan

FIRST EDITION : AUG. 2002

PUB.No. IME-44240-A

(TENI) GP-1650W/1650WD



00080835900



IME44240A00



SAFETY INSTRUCTIONS

Safety Instructions for the Installer



WARNING



Do not work inside the equipment unless totally familiar with electrical circuits.

Hazardous voltage which can shock, burn or cause serious injury exists inside the equipment.



Turn off the power at the mains switchboard before beginning the installation. Post a sign near the switch to indicate it should not be turned on while the equipment is being installed.

Fire, electrical shock or serious injury can result if the power is left on or is applied while the equipment is being installed.



CAUTION



Ground the equipment to prevent electrical shock and mutual interference.

Confirm that the power supply voltage is compatible with the voltage rating of the equipment.

Connection to the wrong power supply can cause fire or equipment damage. The voltage rating appears on the label at the rear of the display unit.

Use the correct fuse.

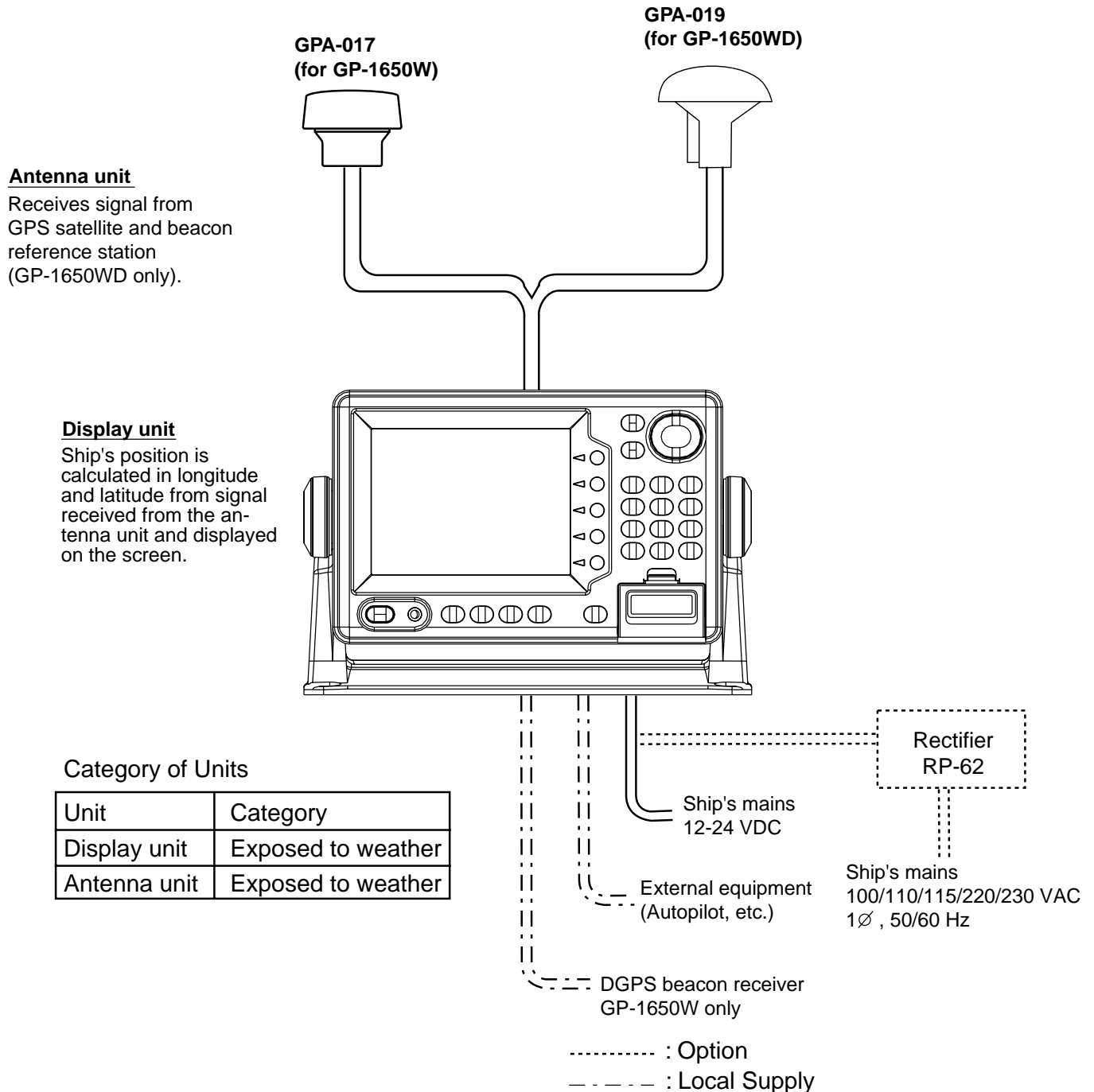
Use of a wrong fuse can cause fire or equipment damage.

Keep the following compass safe distance.

	Standard	Steering
Display unit	0.8 m	0.5 m

SYSTEM CONFIGURATION

The GP-1650W/1650WD mainly consists of a display unit and a GPS antenna. A DGPS beacon receiver is provided inside the display unit for GP-1650WD type. The chart card drive in the display unit loads electronic charts. External equipment which may be connected include an autopilot and a DGPS beacon receiver.



EQUIPMENT LISTS

Standard supply

Name	Type	Code No.	Qty	Remarks
Display Unit	GP-1650W	-	1	
	GP-1650WD	-		
Antenna Unit	GPA-017	-	1	for GP-1650W
	GPA-019			for GP-1650WD
Spare Parts*	SP14-02401	004-374-630	1	
Installation Materials*	CP14-05100	000-041-480	1	
Accessories*	FP14-02301	004-375-830	1	Hard cover
	FP14-02302	004-375-850	1	screws for hanger, screws for flush mount

*: Refer to Packing list at the end of this manual.

Optional equipment

Name	Type	Code No.	Remarks
DGPS Beacon Receiver Kit	GR-7000A-1650-10N-019	000-041-650	GPA-019, GR-7000A
	GR-7000A-1650-15N-019S	000-041-653	GPA-019S, GR-7000A
Antenna cable assy.	TNC-PS-3D-15	000-133-670	15m, for antenna cable extension
Antenna cable Set	CP20-01700	004-372-110	30m, for antenna cable extension
	CP20-01710	004-372-120	50m, for antenna cable extension
Cable Assy.	MJ-A7SPF0003-050	000-136-730-01	
Mast mount fixture	CP20-0111	004-365-780	
Right-angle antenna base	No.13-QA330	000-803-239	for antenna unit mounting
L-angle antenna base	No.13-QA310	000-803-240	
Antenna base for rail mounting	No.13-RC5160	000-806-114	
Antenna Unit	GPA-019S	-	GP-1650WD
	GPA-017S	-	GP-1650W

Optional equipment (con't)

Name	Type	Code No.	Remarks
Rectifier	PR-62 2.5GY5/1.5NT#5	000-013-484	for 100 VAC
	PR-62 2.5GY5/1.5NT#5	000-013-485	for 110 VAC
	PR-62 2.5GY5/1.5NT#5	000-013-486	for 220 VAC
	PR-62 2.5GY5/1.5NT#5	000-013-487	for 230 VAC
Cable Assy.	MJ-A6SPF0007-100	000-125-237	
	MJ-A6SPF0012-100	000-133-817	
	MJ-A6SPF0012-050	000-134-424	
	MJ-A6SPF0011-050	000-132-244	
	MJ-A6SPF0011-100	000-132-336	
RAM Card	00RAM02MC-004	004-371-790	2MB
C-MAP modification kit	1650/1850-MAP	004-376-420	

EQUIPMENT LISTS

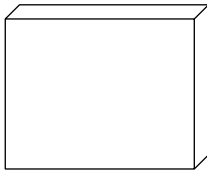
This page is intentionally left blank.

1. INSTALLATION

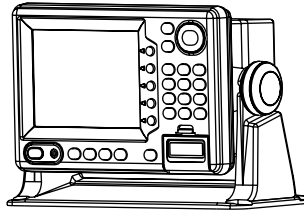
1.1 Installation of Display Unit

Mounting considerations

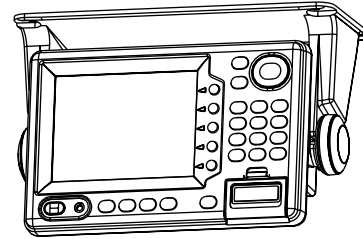
The display unit can be installed on a tabletop, on the overhead or flush mounted in a console or panel.



Hard Cover



Tabletop



Overhead

Tabletop, overhead mounting methods

When selecting a mounting location for the display unit keep the following in mind:

- Keep the display unit out of direct sunlight.
- The temperature and humidity should be moderate and stable.
- Locate the unit away from exhaust pipes and vents.
- The mounting location should be well ventilated.
- Mount the unit where shock and vibration are minimal.
- Keep the unit away electromagnetic field generating equipment such as motor, generator.
- For maintenance and checking purposes, leave sufficient space at the sides and rear of the unit and leave slack in cables.
- A magnetic compass will be affected if placed too close to the display unit. Observe the following compass safe distances to prevent disturbance to the magnetic compass:

Standard compass: 0.8 meters

Steering compass: 0.5 meters

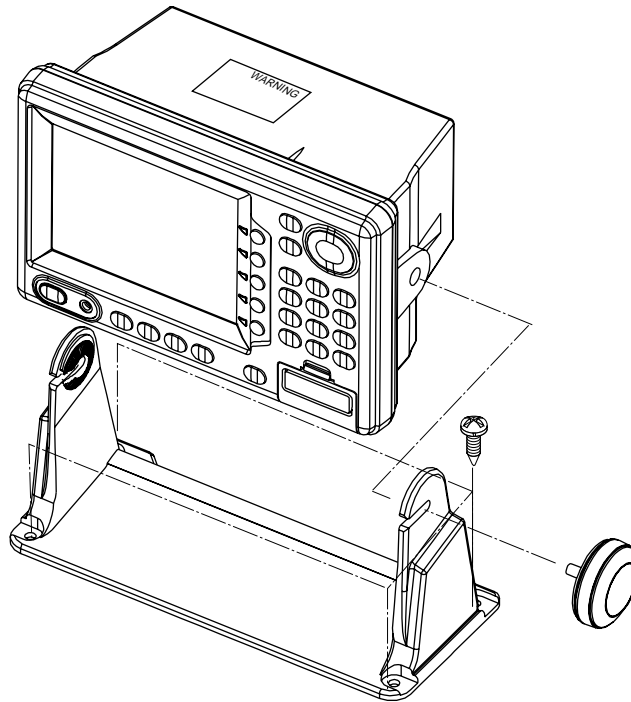
1. INSTALLATION

Mounting procedure

Follow the procedure below to mount the display unit on a tabletop or the overhead.

Tabletop, overhead mounting

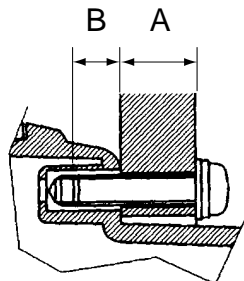
1. Fix the hanger by four pan head screws 5 X 16.
2. Screw knob bolts in display unit, set it to hanger, and tighten knob bolts.
3. Attach hard cover to protect LCD.



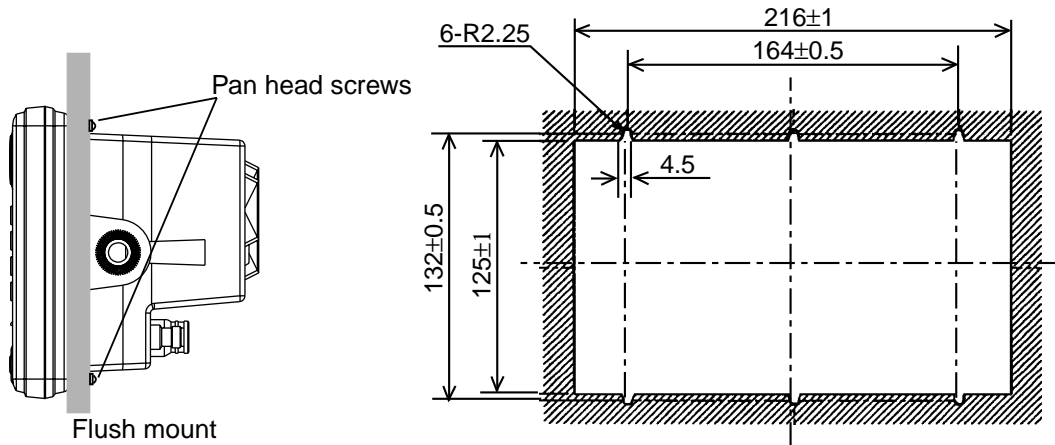
Tabletop, overhead mounting of display unit

Flush mounting

Note: Use supplied pan head screws when the thickness of the bulkhead is from 11 to 14 mm. For bulkhead which exceeds 14 mm in thickness the length of the pan head screws should be bulkhead thickness+7.8±1.5 mm. Also the length of B should max. 8mm.



1. Prepare a cutout in the mounting location whose dimensions are as shown on the next page.
2. Fix the display unit by six pan head screws M4 X 20. Refer to the outline drawing on page D-2.



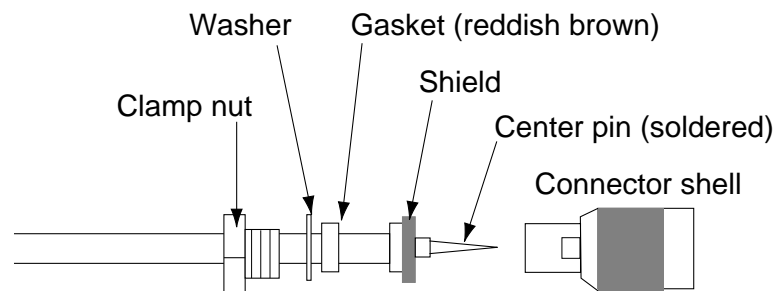
Flush mounting of display unit

1.2 Installation of Antenna Unit

Mounting considerations

Install the antenna unit referring to the installation diagram on page D-3 or D-4. When selecting a mounting location for the antenna unit, keep in mind the following points:

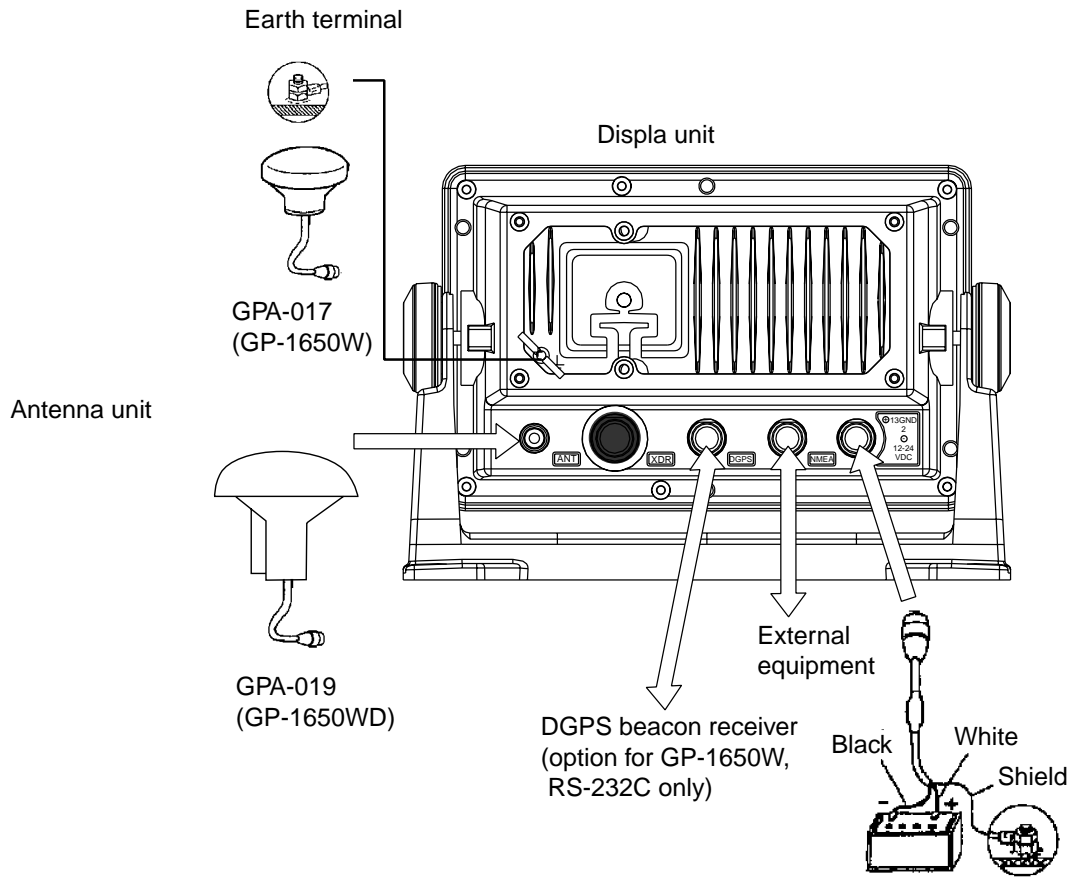
- Select a location out of the radar beam. The radar beam will obstruct or prevent reception of the GPS satellite signal.
- The location should be well away from a VHF antenna. A GPS receiver is interfered by a harmonic wave of a VHF antenna.
- There should be no interfering object within the line-of-sight to the satellites. Objects within line-of-sight to a satellite, for example, a mast, may block reception or prolong acquisition time.
- Mount the antenna unit as high as possible. Mounting the antenna unit as high as possible keeps it free of interfering objects and water spray, which can interrupt reception of GPS satellite signal if the water freezes.
- Do not shorten the antenna cable.
- If the antenna cable is to be passed through a hole which is not large enough to pass the connector, you may unfasten the connector with a needle nose pliers and 3/8-inch open-end wrench. Refasten it as shown in the figure below after running the cable through the hole.



How to assemble the connector

2. WIRING

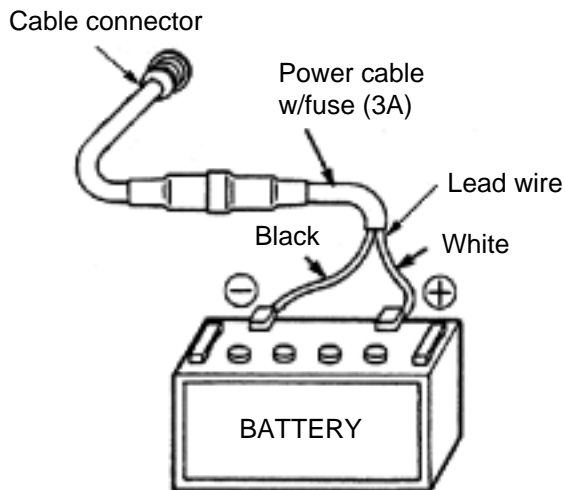
All wiring are terminated at the rear of the display unit.



Display unit, rear view

Power cable

Connect the power cable to the power connector. Connect the leads to the battery (12 or 24 VDC); white to plus(+) terminal and black to minus(-) terminal.



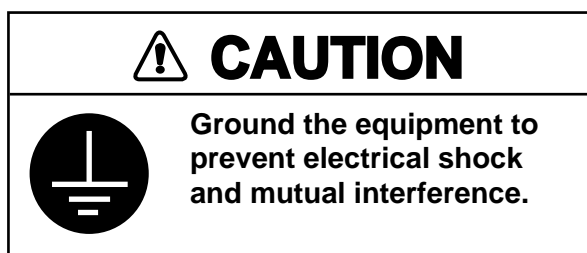
Connecting the power cable to the battery


Antenna unit

Connect the antenna unit cable to the ANT connector.

Ground

The display unit contains several CPUs. While they are operating, they radiate noise, which can interfere with radio equipment. Ground the unit to prevent interference. The grounding wire should be 1.25 sq or larger and as short as possible. Connect the grounding wire to ship's ground. On a fiberglass boat, it is best to install a ground plate that measures about 20 cm by 30 cm on the outside of the hull bottom to provide a ground point. If this is not practical, the engine block can be used.



Note: Use a “closed” lug to make the ground connection at the display unit. Do not use an “open-type” lug ().

Extending antenna cable length

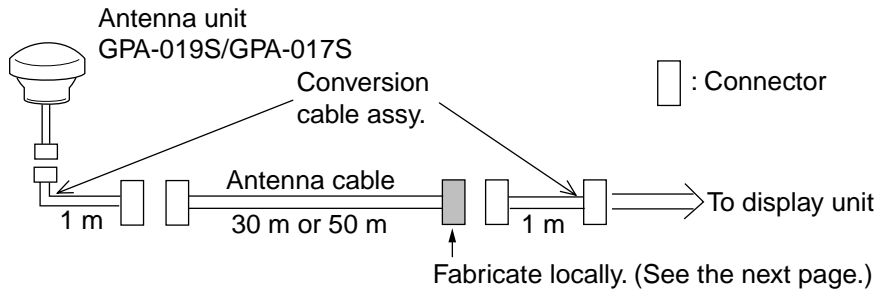
The standard cable is 10 m long. For extension, in case of the GPA-019S or GPA-017S, an antenna cable set of 15 m, 30 m or 50 m is available. Extension cable cannot be used with the GPA-017 or GPA-019.

Cable length	Necessary parts	Code No.
15 m	TNC-PS-3D-15	000-133-670
30 m	CP20-01700	004-372-110
50 m	CP20-01710	004-372-120

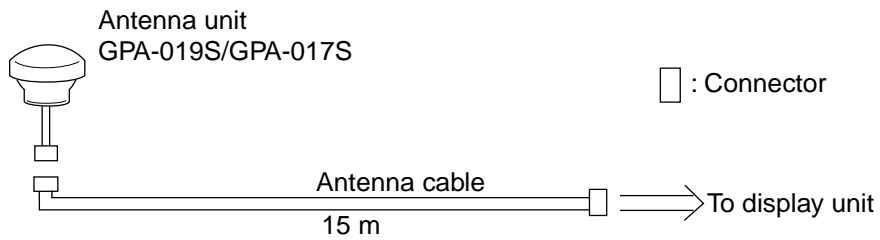
2. WIRING

Extension cable line-up (in case of 15m, 30 m or 50 m)

Fabricate the end of the antenna cable and attach the coaxial connector. Details are shown on the next page.



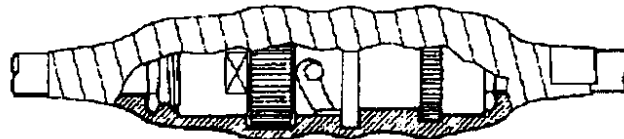
Cable extension (CP20-01700, CP20-01710)



Cable extension (TNC-PS-3D-15)

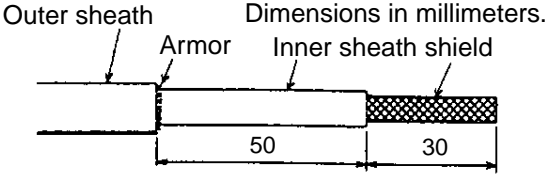
Waterproofing connector

Wrap connector with vulcanizing tape and then vinyl tape. Bind the tape end with cable-tie.

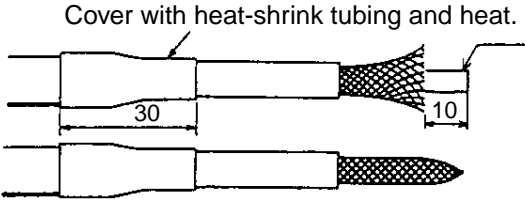


Waterproofing connector

How to attach the N-P-8DFB connector

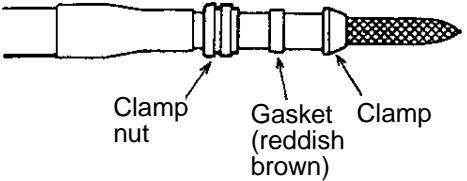


Remove outer sheath and armor by the dimensions shown left.
Expose inner sheath and shield by the dimensions shown left.

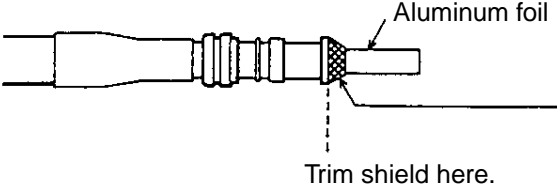


Cut off insulator and core by 10mm.

Twist shield end.



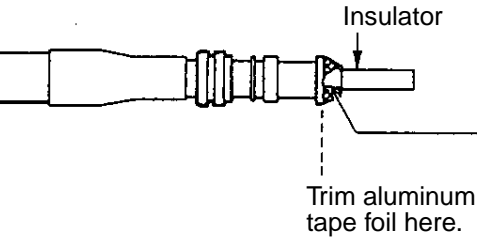
Ship on clamp nut, gasket and clamp as shown left.



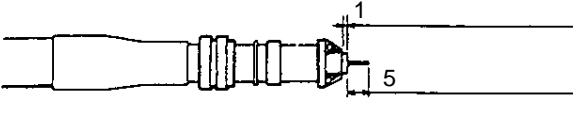
Fold back shield over clamp and trim.



Cut aluminum foil at four places, 90° from one another.

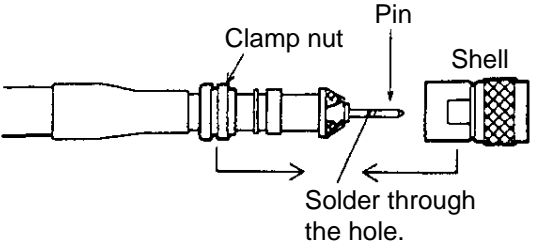


Fold back aluminum foil onto shield and trim.



Expose the insulator by 1mm.

Expose the core by 5mm.



Slip the pin onto the conductor. Solder them together through the hole on the pin.

Insert the pin into the shell. Screw the clamp nut into the shell.
(Tighten by turning the clamp nut. Do not tighten by turning the shell.)

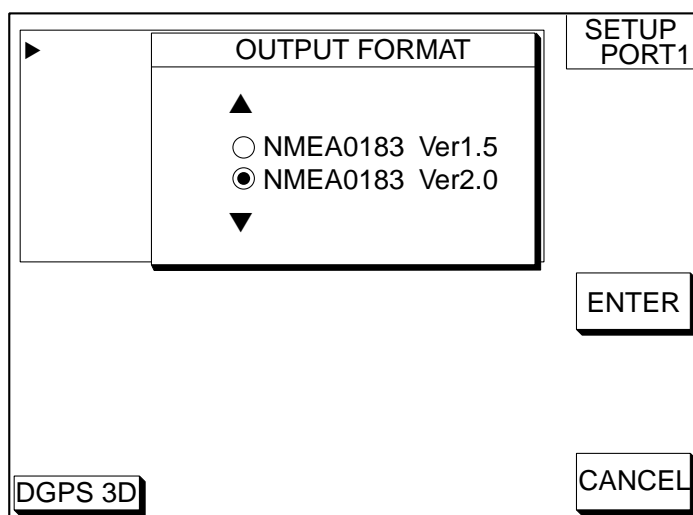
3. INITIAL SETTINGS

3.1 NMEA Setting

NMEA port

This setting should be done when connecting with other equipment, autopilot, radar or remote display.

1. Press the [MENU] key.
2. Press the CONFIGURATION soft key.
3. Press the SETUP NMEA PORT1 soft key.
4. Press the cursor pad to select FORMAT.
5. Press the EDIT soft key to display the following window.



Output format window (PORT 1)

6. Select NMEA version depending on the specification of the equipment connected. The selected item is indicated by black button.
7. Press the ENTER soft key.
8. Press the [PLOT] key to return to the plotter display.

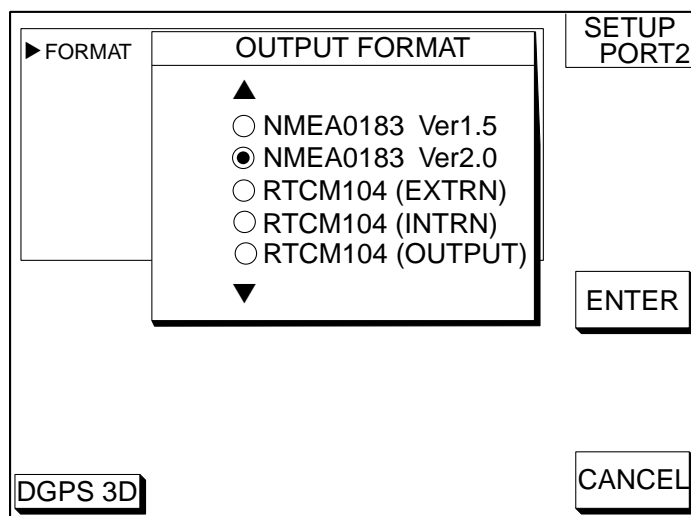
DGPS port

Set the following when connecting with DGPS beacon receiver GR-80 or the DGPS beacon receiver is incorporated, PC to the DGPS port.

Note: Signal level for DGPS port is RS232C.

1. Press the [MENU] key.
2. Press the CONFIGURATION soft key.
3. Press the SETUP NMEA/DGPS PORT 2 soft key.
4. Select FORMAT, and then press the EDIT soft key.

The following window appears.



Output format window (PORT 2)

5. Select NMEA version. The selected item is indicated by black button.

NMEA0183 Ver1.5/2.0:	Select one when connecting PC or RS-232C equipment.
RTCM104 (EXTRN):	Select this when connecting external DGPS beacon receiver.
RTCM104 (INTRN):	Select this for built in internal DGPS beacon receiver.
RTCM104 (OUTPUT):	Select this when outputting differential data of the internal DGPS beacon receiver to other GPS navigator.

Note 1: Note that you cannot setup sentences when you select RTCM104 at the format.

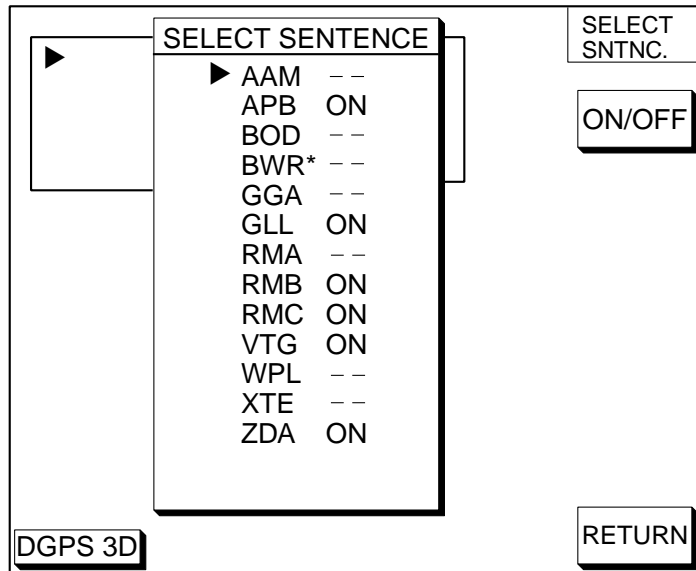
Note 2: For RS-422 format, the level converter (IF-1432) is required for connection of external equipment.

6. Press the ENTER soft key.
7. Press the [PLOT] key to finish.

3.2 Output Data Sentences

Select output data sentences for external equipment as follows.

1. Press the [MENU] key.
2. Press the CONFIGURATION soft key.
3. Press the SETUP NMEA PORT1 soft key.
4. Press the SELECT SNTNC. soft key to display the SELECT SENTENCE window.



*: BWR for Rhumb line
BWC for Great circle

Select sentence window

5. Select data sentence you want to output.
6. Press the ON/OFF soft key. To output data, select ON.
7. Repeat to select other sentences.
8. Press the RETURN soft key.
9. Press the [PLOT] key to return the plotter display.

Input/Output data sentences

Port		Format	Data	Remarks
NMEA	Input	NMEA-0183 Ver. 2.0 Ver. 1.5 IEC1162	TLL*1, MTW, WPL*1, DBT/DPT	WPL: GP only NMEA Ver 1.5: DBT NMEA Ver 2.0: DPT
	Output		AAM, APB, BOD, BWC/BWR, GGA, GLL, RMA, RMB, RMC, VTG, WPL, XTE, ZDA, MTW, GTD*2	GREAT CIRCLE: BWC RHUMB LINE: BWR
DGPS	Input	NMEA-0183 Ver. 2.0 Ver. 1.5 RS232C RTCM104	TLL*1, MTW, WPL*1, DBT/DPT	WPL: GP only NMEA Ver 1.5: DBT NMEA Ver 2.0: DPT
	Output		AAM, APB, BOD, BWC/BWR, GGA, GLL, RMA, RMB, RMC, VTG, WPL, XTE, ZDA, MTW, GTD*2	GREAT CIRCLE: BWC RHUMB LINE: BWR

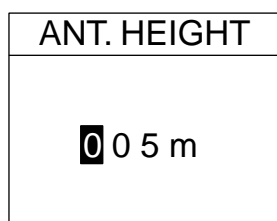
*1: Cannot be input consecutively.

*2: Output automatically when LC or LA is selected.

3.3 Antenna Height

Enter height of antenna above water. (Default setting: 5 m)

1. Press the [MENU] key.
2. Press the GPS/DGPS/TD OPTIONS soft key.
3. Press the GPS SETUP OPTIONS soft key.
4. Select ANT. HEIGHT.
5. Press the EDIT soft key.



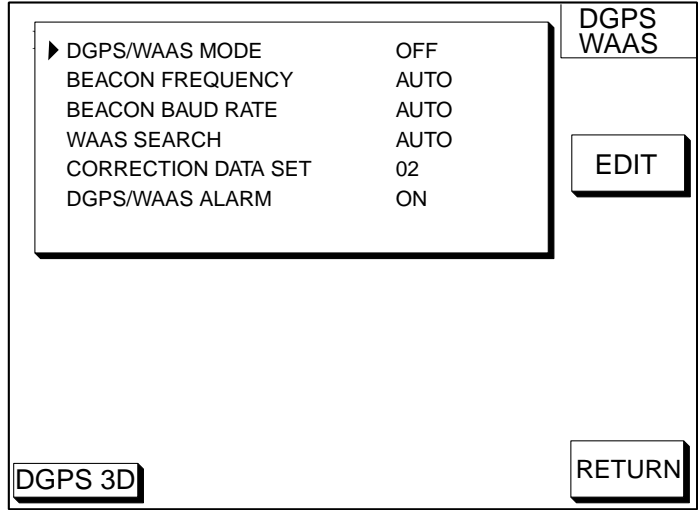
Ant. height window

6. Enter the height (3 digits) of the antenna above sea level using the numeric keys.
If you enter wrong antenna height, press the CLEAR soft key.
7. Press the ENTER soft key.
8. Press the [PLOT] key to return the plotter display.

3.4 DGPS Setting

When external DGPS beacon receiver (RS-232C only) is connected or the DGPS beacon receiver is incorporated, set the DGPS mode referring to the following procedure.

1. Press the [MENU] key.
2. Press the GPS/DGPS/TD OPTIONS soft key.
3. Press the DGPS/WAAS SETUP OPTIONS soft key.

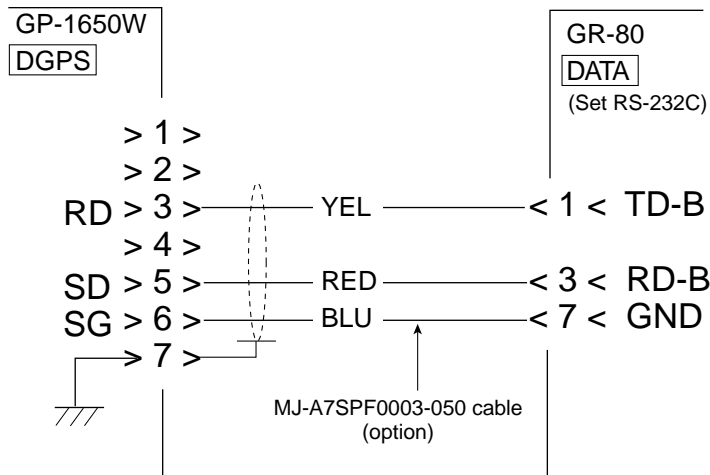


DGPS options window

4. Select DGPS/WAAS MODE and press the EDIT soft key.
5. Select DGPS or AUTO and press the ENTER soft key.
 WAAS: WAAS data can be received.
 AUTO: DGPS, WAAS or GPS data can be automatically received, The order of priority is DGPS, WAAS and GPS.

Note: If the external DGPS beacon receiver GR-80 is connected to the GP-1650W, refer to the interconnection diagram below.

Connection with GR-80



6. Select BEACON FREQUENCY by the cursor pad.
7. Press the EDIT soft key to display the following window.

BEACON FREQUENCY	
▲	
<input checked="" type="radio"/>	AUTO
<input type="radio"/>	MANUAL ▶ 284.0 kHz
▼	

Beacon frequency window

8. Select AUTO or MANUAL by the cursor pad. When you select MANUAL, operate the cursor pad to move the cursor to frequency dialog box. And press the arrow key to select the frequency desired.
9. Press the [ENTER] key.
10. Select BEACON BAUD RATE by the cursor pad.
11. Press the EDIT soft key to display the following window. Beacon baud rate cannot be set when BEACON FREQUENCY is set to AUTO.

BEACON BAUD RATE	
▲	
<input type="radio"/>	200
<input checked="" type="radio"/>	100
<input type="radio"/>	50
▼	

Beacon baud rate window

12. Select beacon baud rate corresponding to DGPS reference station to use.
13. Press the [ENTER] key.
14. Press the [PLOT] key to return the plotter display.

4. INCORPORATION OF DGPS BEACON RECEIVER KIT (for GP-1650W)

The DGPS beacon receiver GR-7000A can be incorporated in the GP-1650W to provide it with DGPS capability. Two kinds of kit are available as shown.

GR-7000A-1650-10N-019

Name	Type	Code No.	Qty
Antenna Unit	GPA-019	000-142-416	1
Beacon Receiver	GR-7000A	000-143-249	1
Connector Assy.	PH6P-W-L240	000-141-548	1
Pan head screws	M3X10 C2700W	000-881-405	4
Cable tie	CV-100	000-570-322	2
Screw*	M3X12 SUS304	000-805-905	6
Cable Assy.	S.FL2-2LP0.7-D-WHT (121)	000-141-491	1
Clamp	HP-2N	000-570-000	1
Cable Assy.*	S.FL2-2LP0.7-D-WHT (250)	000-143-877	1
Screw*	3X8 SUS410	000-881-405	4
Cable Assy.	S.FL2-2LP0.7-D-WHT (175)	000-141-490	1

* Not used

GR-7000A-1650-15N-019S

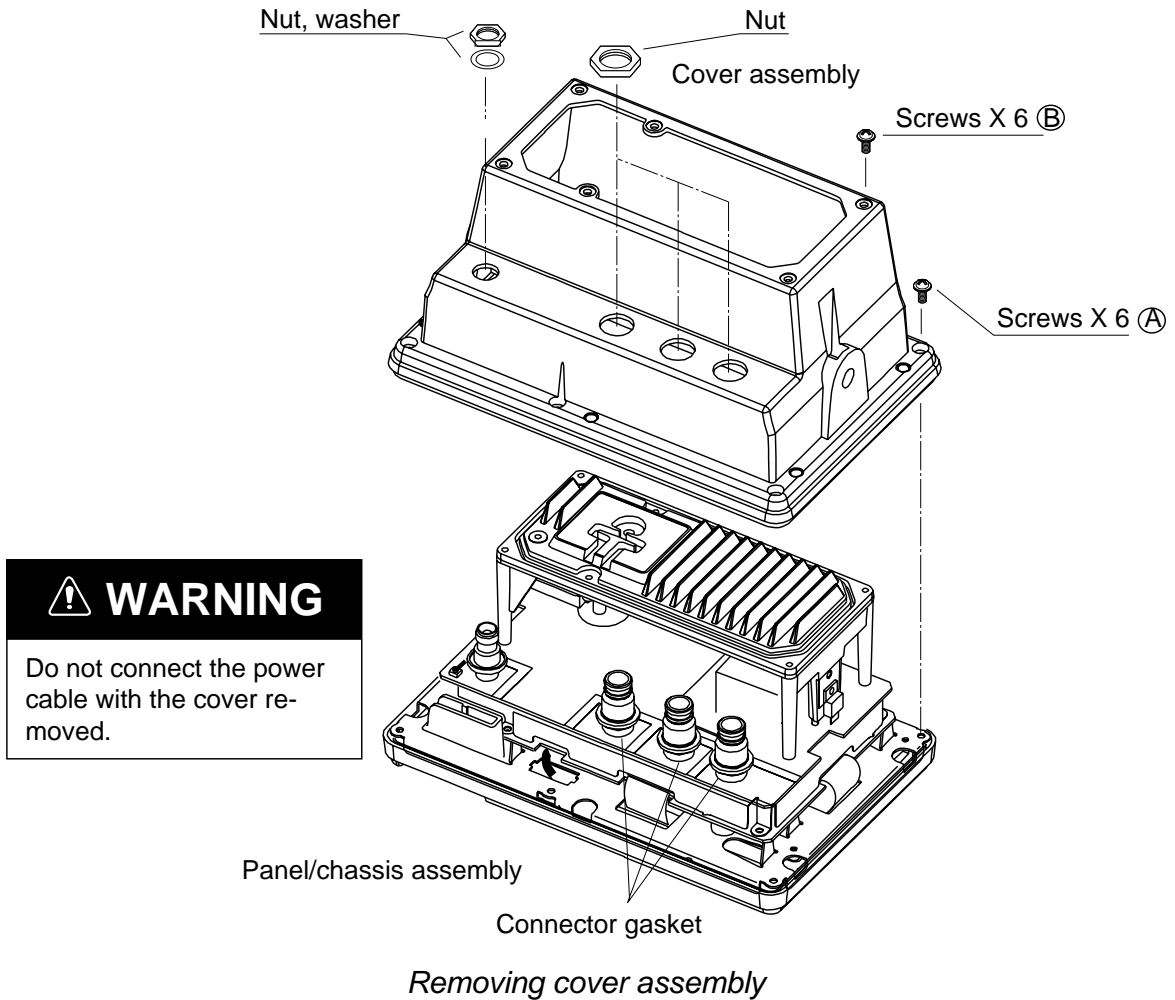
Name	Type	Code No.	Qty
Antenna Unit	GPA-019S	000-142-545	1
Beacon Receiver	GR-7000A	000-143-249	1
Cable Assy.	TNC-PS-3D-15	000-133-670	1
Connector Assy.	PH6P-W-L240	000-141-548	1
Pan head screws	M3X10 C2700W	000-881-405	4
Cable tie	CV-100	000-570-322	2
Screw*	M3X12 SUS304	000-805-905	6
Cable Assy.	S.FL2-2LP0.7-D-WHT (121)	000-141-491	1
Clamp	HP-2N	000-570-000	1
Cable Assy.*	S.FL2-2LP0.7-D-WHT (250)	000-143-877	1
Screw*	3X8 SUS410	000-802-951	4
Cable Assy.	S.FL2-2LP0.7-D-WHT (175)	000-141-490	1

* Not used

Disassembly

Procedure

1. Turn off the power. Wait at least one minute before opening the cover, to allow capacitors to discharge.
2. Remove nuts attached to DGPS, NMEA and power supply connectors at the rear of the display unit.



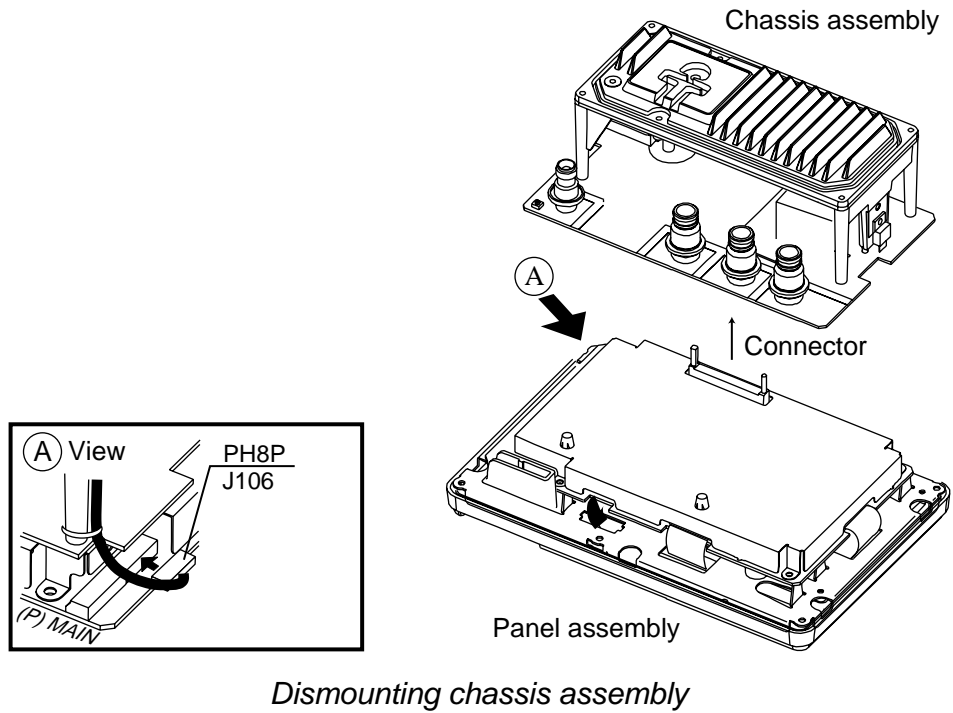
3. Remove nuts and washer attached to ANT connector.
4. Remove twelve screws at rear of the display unit to detach panel/chassis assembly from cover assembly.
Discard six screws (A)(3X12).

4. INCORPORATION OF DGPS BEACON RECEIVER KIT (for GP-1650W)

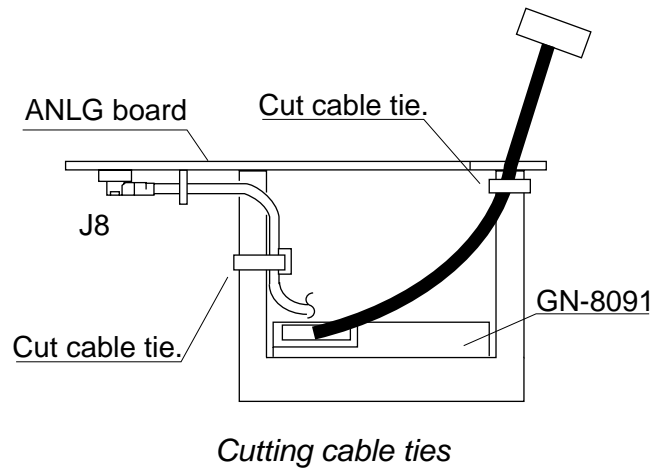
Installation of beacon receiver

Procedure

1. Disconnect 8P connector as shown in the figure below.



2. Dismount chassis assembly from panel assembly by disconnecting connector shown in the figure above.
3. Cut the cable ties as shown in the figure below.

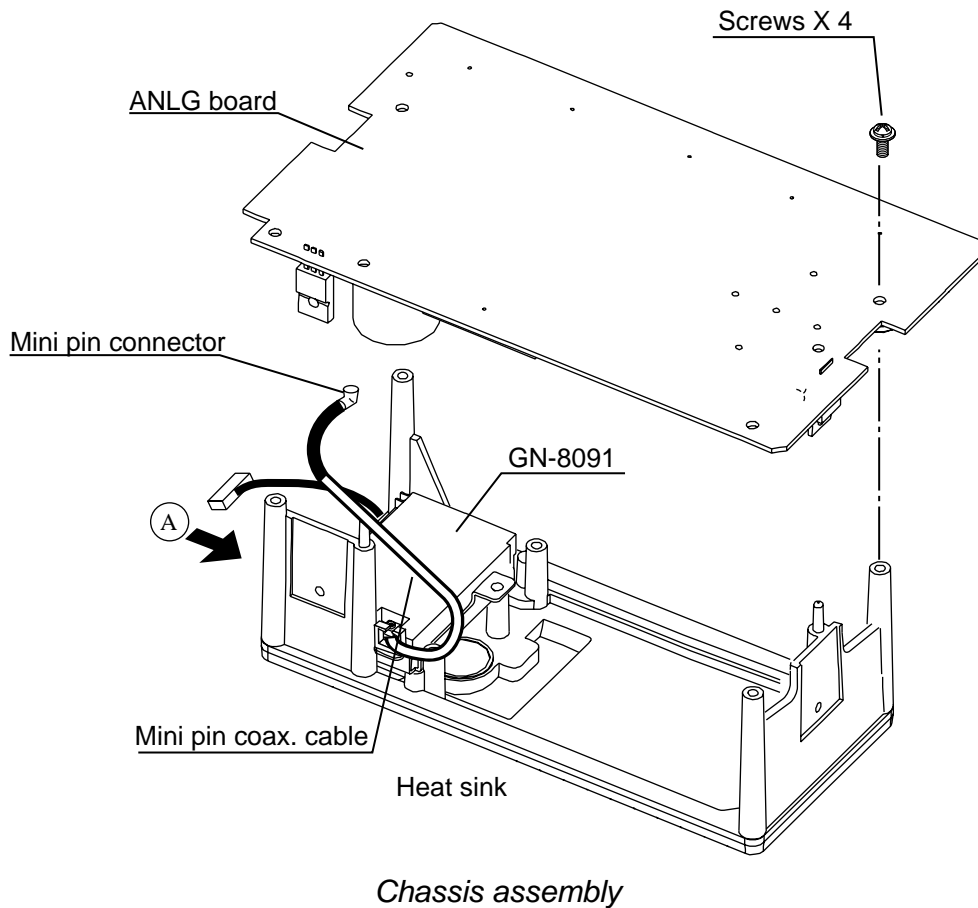


4. INCORPORATION OF DGPS BEACON RECEIVER KIT (for GP-1650W)

4. Dismount heat sink from chassis assembly by unfastening four screws on the ANLG board and disconnecting the connector of the mini pin coaxial cable.

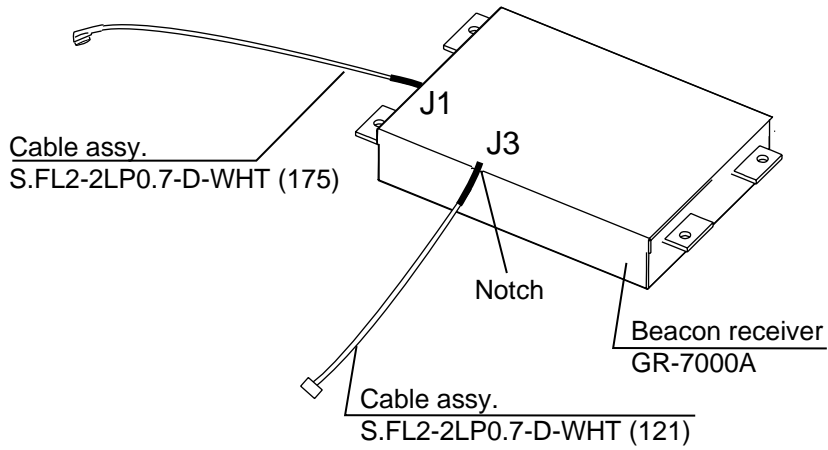
Handling of Coaxial Cable

- Do not touch the connector with bare hands; use gloves.
- Use radio pincers to remove, and pull out straightly.
- Plug in connector straightly.



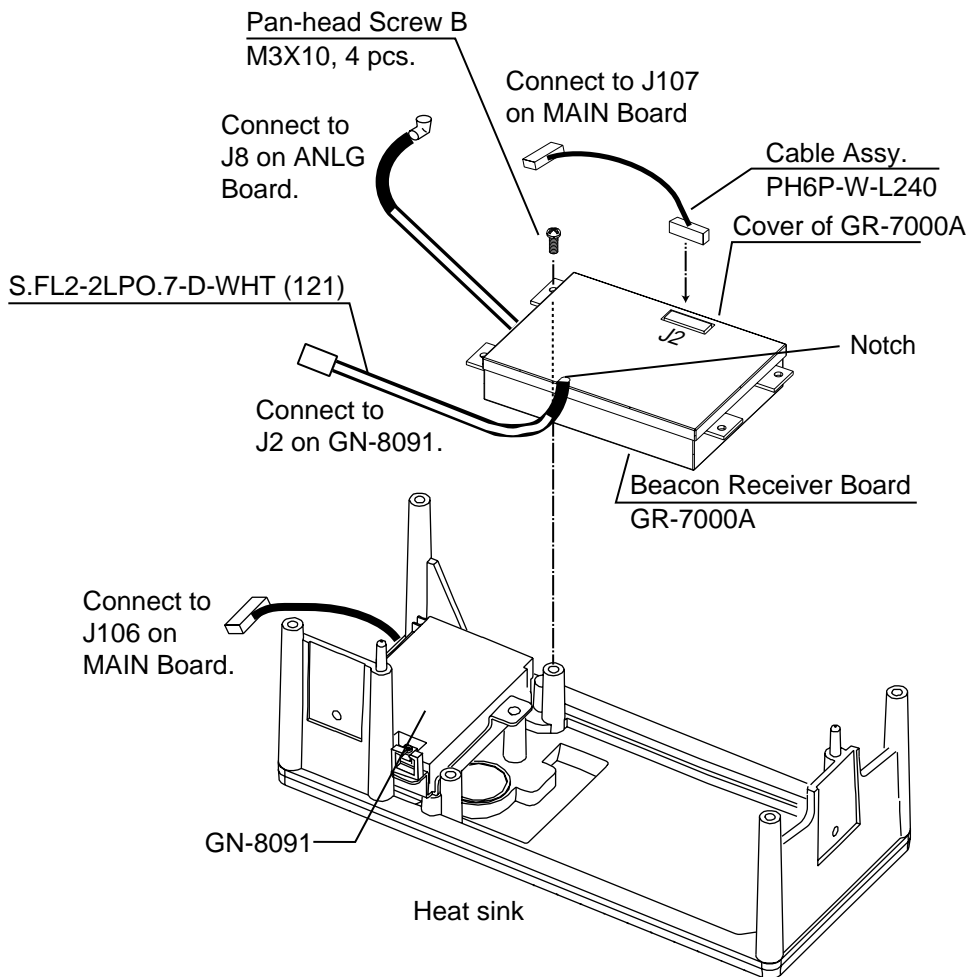
5. Take off the mini pin coaxial cable from J2 on the GN-8091.
6. Open the lid of GR-7000A
7. Connect cable assy. S.FL2-2LP0.7-D-WHT (175) (supplied) to J1 of GR-7000A

4. INCORPORATION OF DGPS BEACON RECEIVER KIT (for GP-1650W)



Beacon receiver

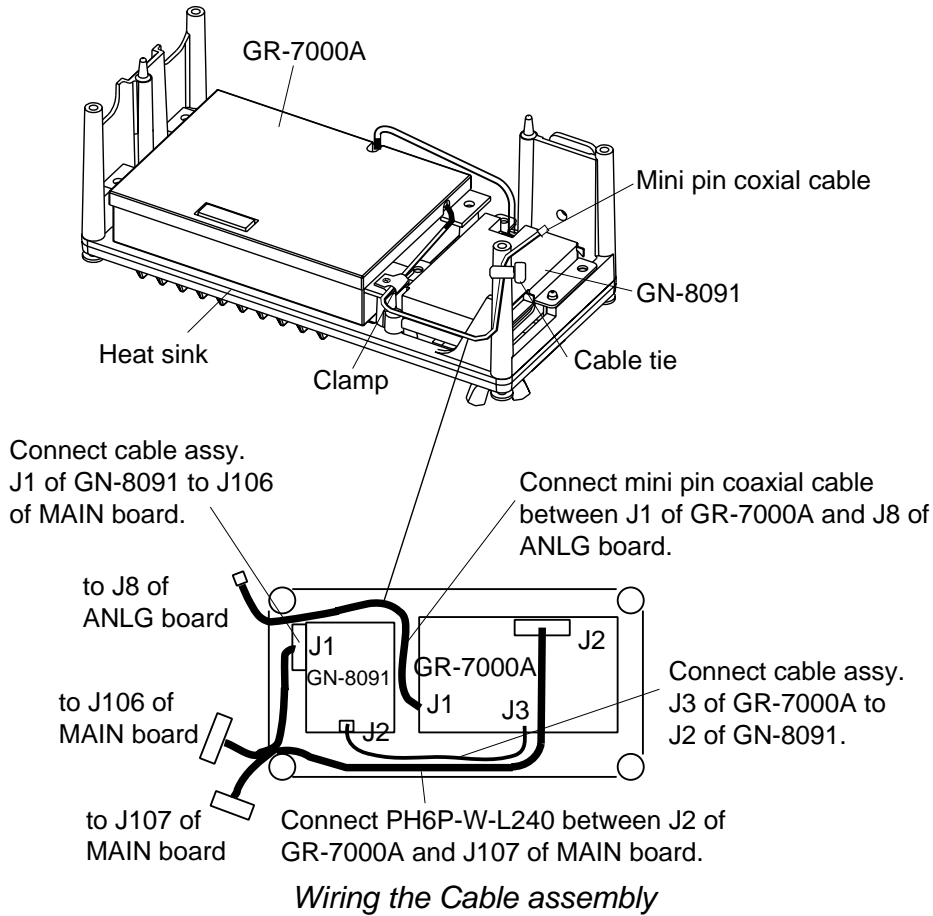
8. Connect cable assy. S.FL2-2LP0.7-D-WHT (121) (supplied) to J3 of the GR-7000A.
9. Close the lid of the GR-7000A.
10. Connect connector assy. PH6P-W-L240 to J2 of GR-7000A (Refer to the next page).
11. Fasten the GR-7000A (Beacon receiver) to the heat sink with four M3X10 screws (supplied) as shown in the figure below.



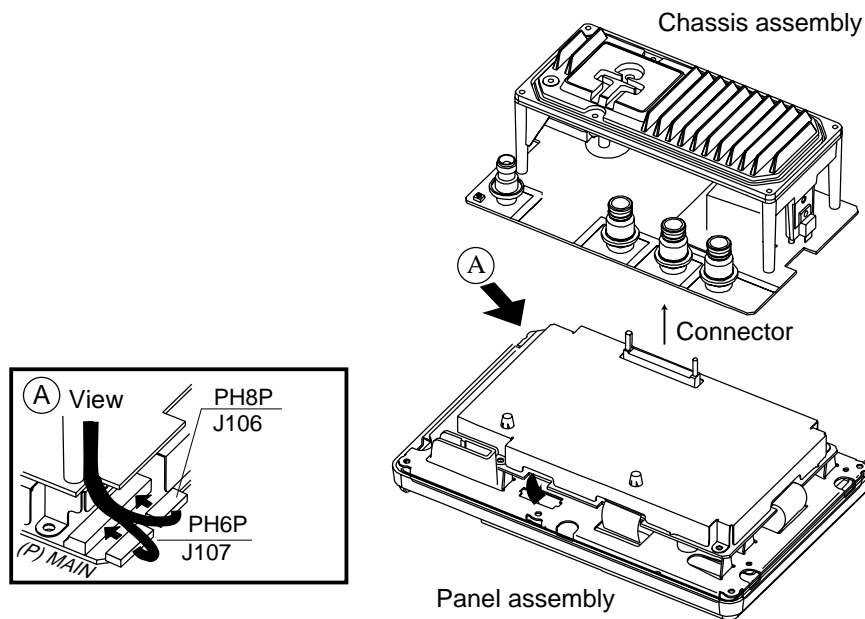
Installation of DGPS beacon receiver

4. INCORPORATION OF DGPS BEACON RECEIVER KIT (for GP-1650W)

12. Connect the cable assy. S.FL2-2LP0.7-D-WHT (121) of J3 to J2 of the GN-8091.
13. Pass the mini pin coaxial cable of J1 on the GR-7000A through the mini plug on the ANLG Board and connect it to J8 on the ANLG Board.
14. Mount the ANLG board on the heat sink.



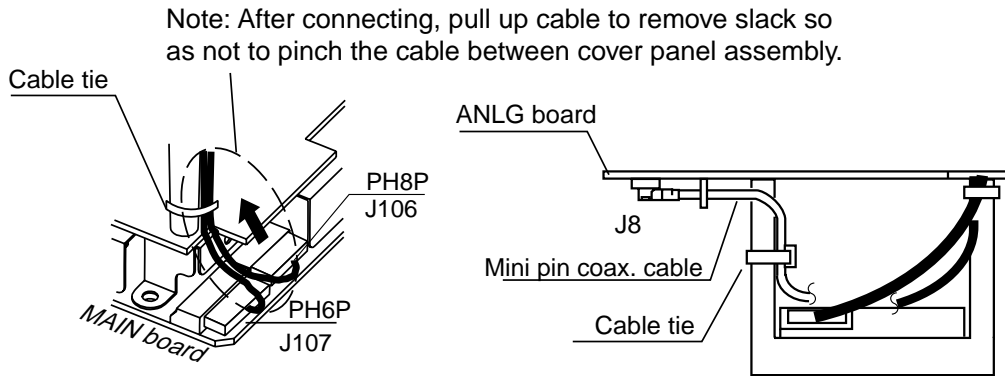
15. Mount chassis assembly on the panel assembly. Connect 8P connector and 6P connector to Main board as shown in the figure below.



Attaching chassis assembly

4. INCORPORATION OF DGPS BEACON RECEIVER KIT (for GP-1650W)

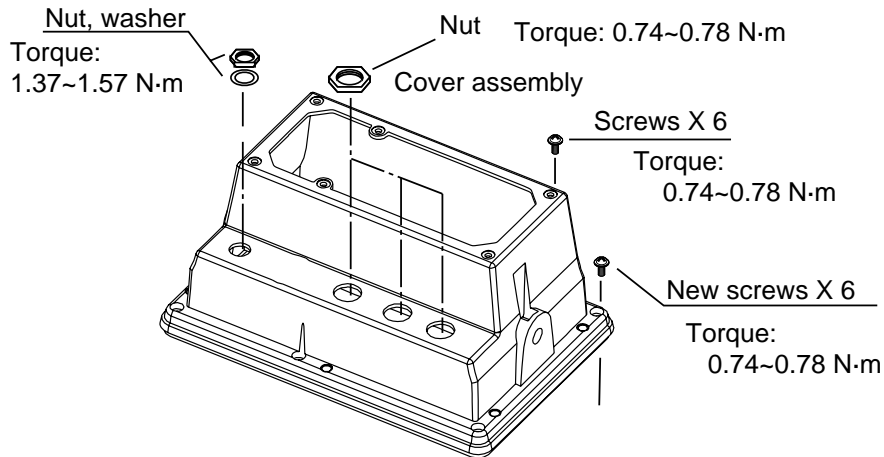
16. Fasten 8P connector cable and 6P connector cable by cable tie as shown in the figure below. Fasten mini pin coaxial cable by cable tie (CV-100, supplied) as shown in the figure below.



Attaching cable tie

17. Reassemble the display unit.

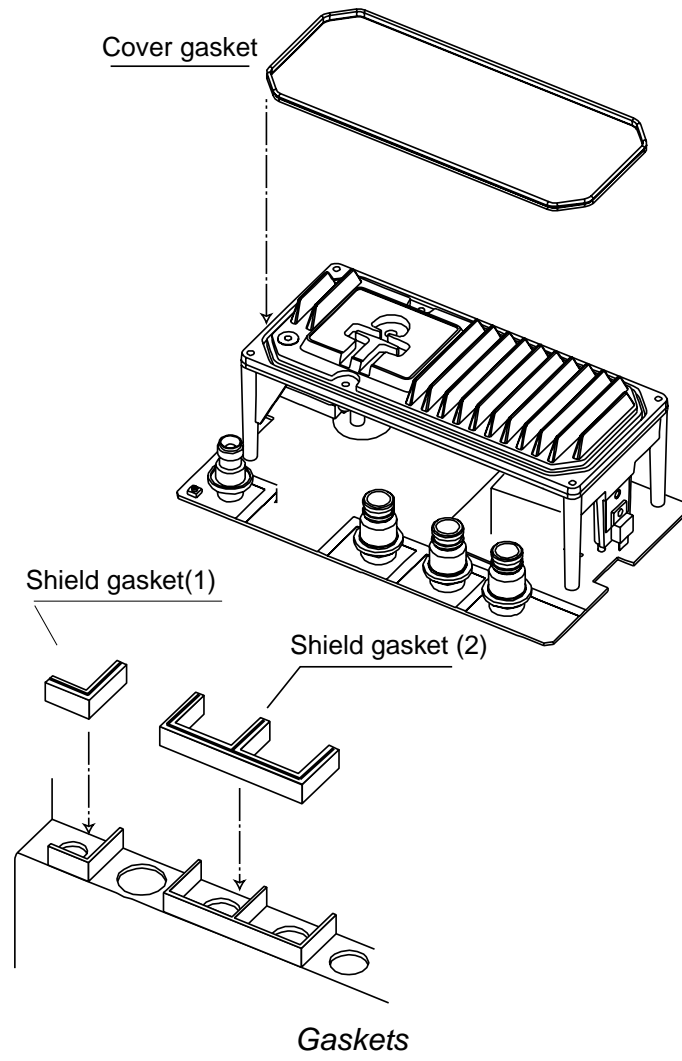
Use new screws size 3X12 (supplied).



Remounting the cover

Note: When reattaching the cover, confirm the following parts are attached.
Shield gasket, cover gasket (See the next page.)
Connector gasket (See the page 15.)

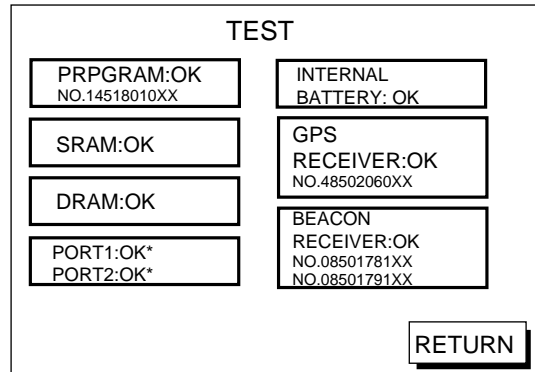
4. INCORPORATION OF DGPS BEACON RECEIVER KIT (for GP-1650W)



4. INCORPORATION OF DGPS BEACON RECEIVER KIT (for GP-1650W)

Checking the beacon receiver

1. Press the [MENU] key.
2. Press the CONFIGURATION soft key.
3. Press the SYSTEM MENU soft key.
4. Press the SELF TEST soft key.
5. Press the MEMORY•I/O TEST soft key to display the following message.



*Special connections are required to check these ports.
Otherwise, NG appears.

Memory, I/O Test Display

6. Confirm that BEACON RECEIVER: OK is displayed.
7. Press the RETURN soft key.
8. Press the [PLOT] key to return the plotter display.

PACKING LIST GP-1650W/WF (E017)

1400-X-9852-0 1/1

NAME	OUTLINE	DESCRIPTION/CODE No.	Q'TY
ユニット UNIT			
空中線部 ANTENNA UNIT		GPA-017	1
指示器 DISPLAY UNIT		000-041-403 GP-1650W-E	1
予備品 SPARE PARTS			
ヒューズ FUSE		SP14-02401 FGB0-A 3A AC125V	3
付属品 ACCESSORIES			
ハードカバー組品 HARD COVER ASSY.		FP14-02301	1
付属品 ACCESSORIES			
+トラスタップピンボ +TAPPING SCREW		FP14-02302 5X16 SUS304 1種	4
+ナハ セムスネジ WASHER HEAD SCREW		000-805-494 MAX20 SUS304	6
その他工材 OTHER INSTALLATION MATERIALS			
ケーブル組品 POWER CABLE		MJ-A3SPF0013-035 000-135-397	1

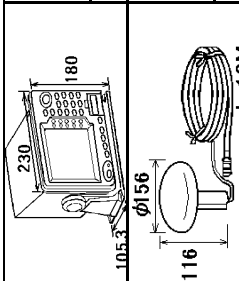
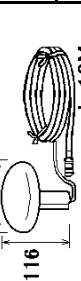
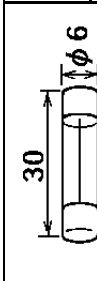
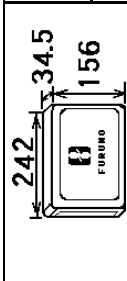
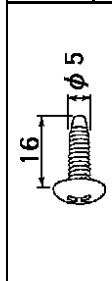
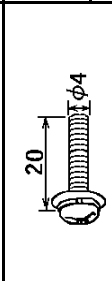
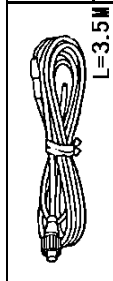
NAME	OUTLINE	DESCRIPTION/CODE No.	Q'TY
ケーブル組品 CABLE ASSY.		MJ-A6SPF0003-050 000-117-603	1


コート末尾に[**]の付いたユニットは代表の型式/コードを表示しています
DOUBLE ASTERISK DENOTES COMMONLY USED EQUIPMENT.

(略図の寸法は、参考値です。 DIMENSIONS IN DRAWING FOR REFERENCE ONLY.)

PACKING LIST GP-1650WD/WDF (E019)

1400-X-9854-0 1/1

NAME	OUTLINE	DESCRIPTION/CODE No.	Q'TY
ユニット UNIT			
指示器 DISPLAY UNIT		GP-1650WD-E	1
空中線部 ANTENNA UNIT		000-041-796** GPA-019	1
予備品 SPARE PARTS			
フューズ FUSE		SP14-02401 FGB0-A 3A AC125V	3
付属品 ACCESSORIES			
ハードカバー組品 HARD COVER ASSY.		FP14-02301	1
付属品 ACCESSORIES			
+トラスタップ ンボ +TAPPING SCREW		FP14-02302 5X16 SUS304 1種	4
+ナハ せムスソ ンボ WASHER HEAD SCREW		000-805-494 MAX20 SUS304	6
その他工材 OTHER INSTALLATION MATERIALS			
ケーブル組品 POWER CABLE		MJ-A3SPF0013-035 000-135-397	1

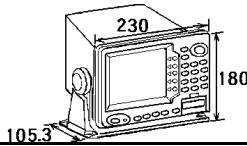
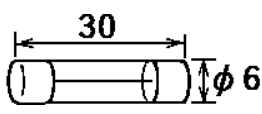
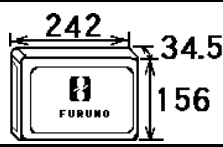
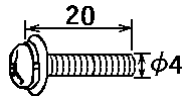
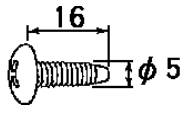


NAME	OUTLINE	DESCRIPTION/CODE No.	Q'TY
ケーブル組品MJ CABLE ASSY.		MJ-A6SPF0003-050 000-117-603	1

コート末尾に[**]の付いたユニットは代表の型式/コードを表示しています
DOUBLE ASTERISK DENOTES COMMONLY USED EQUIPMENT.

(略図の寸法は、参考値です。 DIMENSIONS IN DRAWING FOR REFERENCE ONLY.)

PACKING LIST

GP-1650WD/WDF (E)

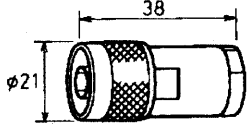
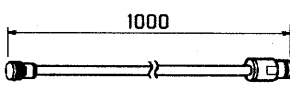
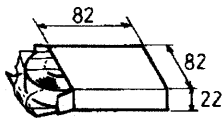
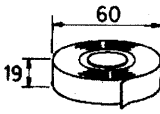
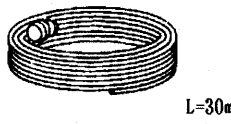
NAME	OUTLINE	DESCRIPTION/CODE No.	Q'TY
ユニット UNIT			
指示器 DISPLAY UNIT		GP-1650WD-E 000-041-796 **	1
予備品 SPARE PARTS		SP14-02401	
ヒューズ FUSE		FGB0-A 3A AC125V 000-549-063	3
付属品 ACCESSORIES		FP14-02301	
ハードカバー組品 HARD COVER ASSY.		FP14-02301 004-375-830	1
付属品 ACCESSORIES		FP14-02302	
+ナベセムスネジ B WASHER HEAD SCREW		M4X20 SUS304 000-804-742	6
+トラスタップソネジ +TAPPING SCREW		5X16 SUS304 1種 000-805-494	4
その他工材 OTHER INSTALLATION MATERIALS			
ケーブル組品MJ CABLE ASSY.		MJ-A6SPF0003-050 000-117-603	1
ケーブル組品 POWER CABLE		MJ-A3SPF0013-035 000-135-397	1

コード末尾に[**]の付いたユニットは代表の型式/コードを表示しています
DOUBLE ASTERISK DENOTES COMMONLY USED EQUIPMENT.

(略図の寸法は、参考値です。 DIMENSIONS IN DRAWING FOR REFERENCE ONLY.)

FURUNO

CODE NO.	004-372-110	20AG-X-9404-0
TYPE	CP20-01700	

工事材料表 INSTALLATION MATERIALS		アンテナケーブルセット ANTENNA CABLE SET			
番号 No.	名称 NAME	略図 OUTLINE	型名 / 規格 DESCRIPTIONS	数量 Q'TY	用途 / 備考 REMARKS
004-372-420 CP20-01701	1 同軸コネクタ COAX. CONNECTOR		N-P-8DFB CODE NO. 000-111-549	1	
	2 変換ケーブル組品 COAX. COUPLING CABLE ASSY.		NJ-TP-3DXV-1 CODE NO. 000-123-809	2	
	3 絶縁テープ SELF-BONDING TAPE		U-TAPE 0.5X19X5M CODE NO. 000-800-985	1	
	4 ビニールテープ NO.360 VINYL TAPE		0.2X19X10000 20/BLK IASON/ETHLON CODE NO. 000-835-215	1	
	5 アンテナケーブル組品 ANTENNA CABLE ASSY.		8D-FB-CV *30M* CODE NO. 000-111-547	1	
			CODE NO.		
			CODE NO.		
			CODE NO.		
			CODE NO.		
			CODE NO.		

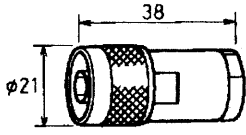
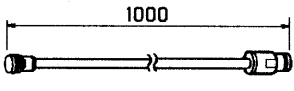
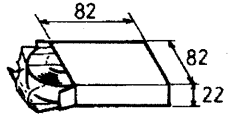
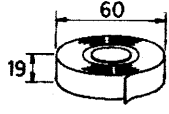
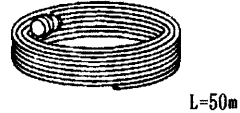
GP-50MARK-2, GP-50MARK-3, GP-70MARK-2, GP-80
 GP-1600/1600F, GP-1800/1800F, GP-1810/1810F
 GP-1800MARK-2, GP-8000/8000MARK-2/8000MARK-2SH
 PS-8000/8000MARK-2

(略図の寸法は、参考値です。)

図番 (1/1)
 DWG. NO. C0014-M19-D

FURUNO

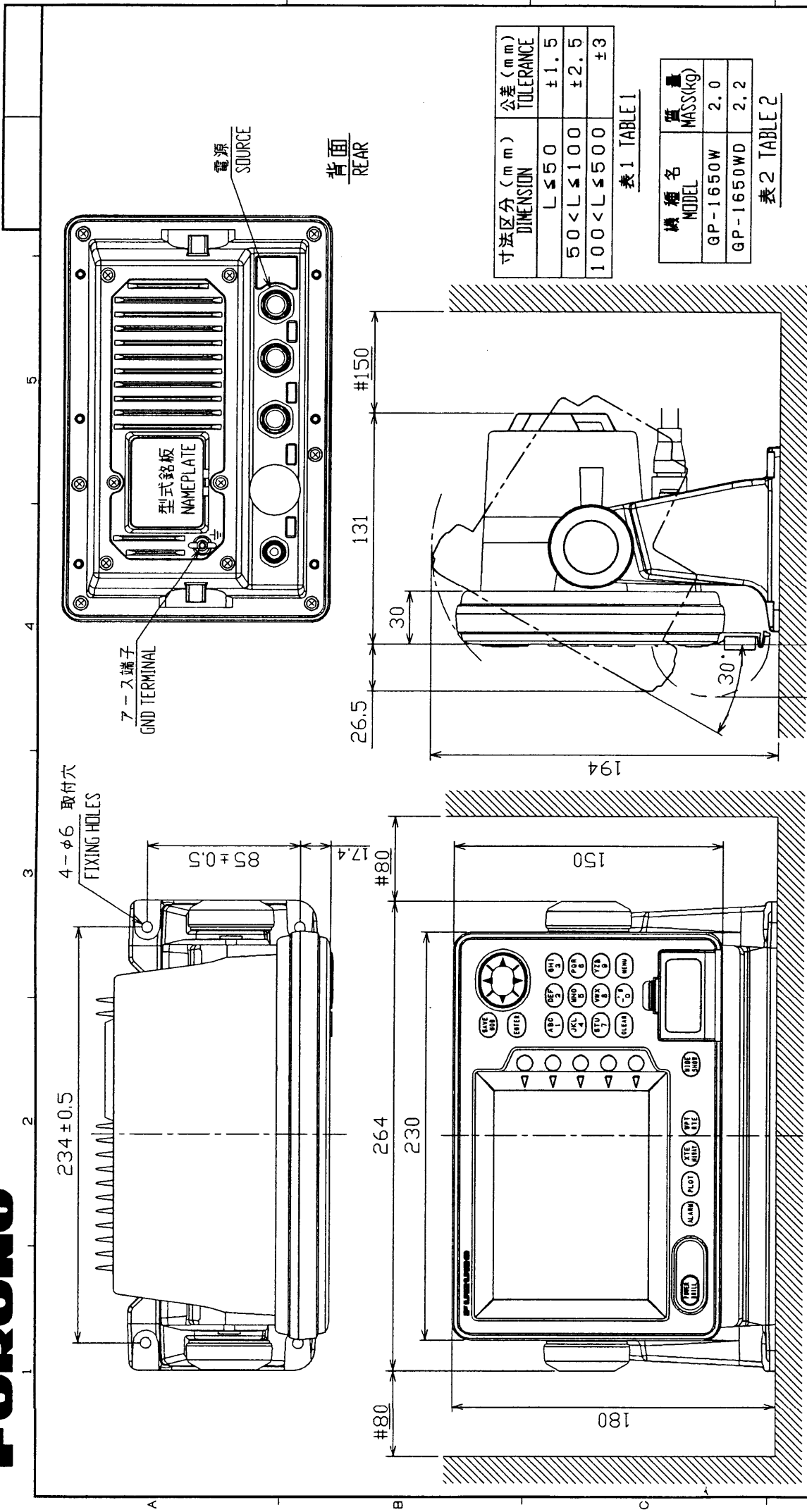
CODE NO.	004-372-120	20AG-X-9405-0
TYPE	CP20-01710	

工事材料表 INSTALLATION MATERIALS		アンテナケーブルセット ANTENNA CABLE SET			
番号 No.	名称 NAME	略図 OUTLINE	型名 / 規格 DESCRIPTIONS	数量 Q'TY	用途 / 備考 REMARKS
004-372-420 CP20-01701	1 同軸コネクタ COAX. CONNECTOR		N-P-8DFB CODE NO. 000-111-549	1	
	2 変換ケーブル組品 COAX. COUPLING CABLE ASSY.		NJ-TP-3DXV-1 CODE NO. 000-123-809	2	
	3 絶縁テープ SELF-BONDING TAPE		U-TAPE 0.5X19X5M CODE NO. 000-800-985	1	
	4 ビニールテープ NO.360 VINYL TAPE		0.2X19X10000 20/BLK IASON/ETHLON CODE NO. 000-835-215	1	
	5 アンテナケーブル組品 ANTENNA CABLE ASSY.		8D-FB-CV *50M* CODE NO. 000-117-599	1	
			CODE NO.		
			CODE NO.		
			CODE NO.		
			CODE NO.		
			CODE NO.		

GP-50MARK-2, GP-50MARK-3, GP-70MARK-2, GP-80
 GP-1600/1600F, GP-1800/1800F, GP-1810/1810F
 GP-1800MARK-2, GP-8000/8000MARK-2/8000MARK-2SH
 PS-8000/8000MARK-2

(略図の寸法は、参考値です。)

図番 (1/1)
 DWG. NO. C0014-M20-D



注記 1) 装備ケーブルはサービス時、本体を前方に十分引き出せるよう余裕を持たせること。
 2) 取付用ネジはトラスタックネジ呼び径5×20を使用のこと。
 3) 指定外寸法公差は、表1による。
 4) #印寸法は最小サービス空間とする。

NOTE 1. KEEP SUFFICIENT CABLE LENGTH BEHIND UNIT.
 2. USE TAPPING SCREWS 5x20 FOR FIXING THE UNIT.
 3. TABLE 1 INDICATES TOLERANCE OF DIMENSIONS.
 4. # RECOMMENDED SERVICE CLEARANCE.

DRAWN	JAN 9 '02	T. YAMASAKI	TITLE	GP-1650W/1650WD
CHECKED	JULY 9 '02	Y. K. IMAI	機種	指示器
APPROVED	JULY 9 '02	Y. K. IMAI	外形図	
SCALE	1/3	MASS #2 kg	機種	DISPLAY UNIT
FIG. No.	C4424-001-A	14-062-140G-0		OUTLINE DRAWING

寸法区分(mm) DIMENSION	公差(mm) TOLERANCE
L ≤ 50	±1.5
50 < L ≤ 100	±2.5
100 < L ≤ 500	±3

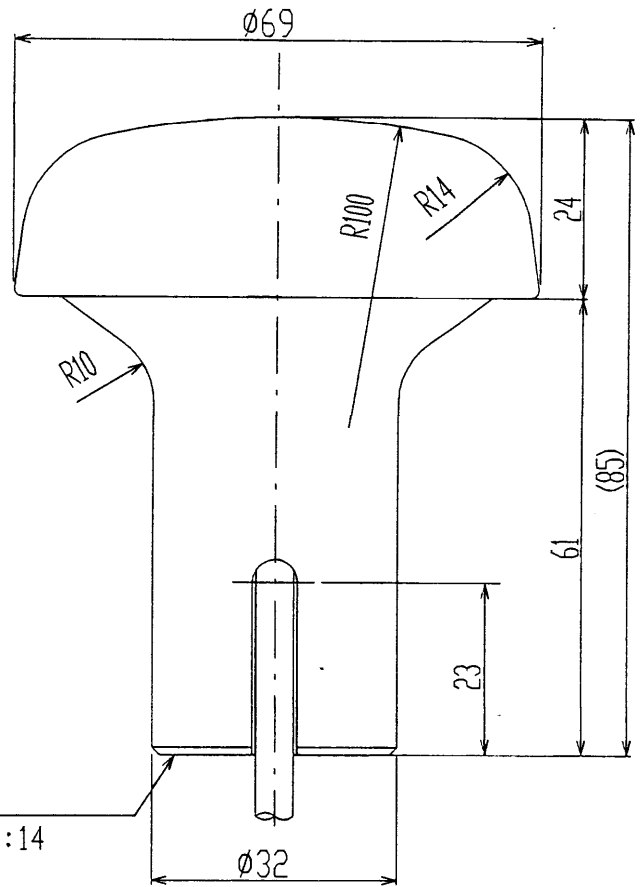
表1 TABLE 1

A

B

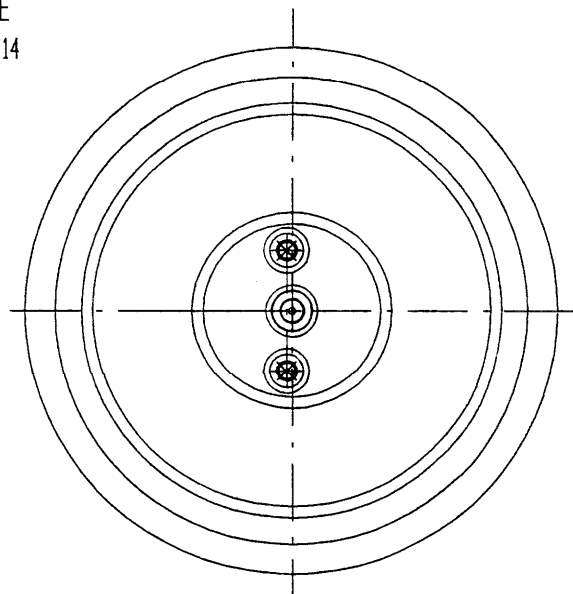
C

D



1-14UNS1B

ねじ山数 (25.4mmにつき) : 14
 ピッチ: 1.8143 mm
 オネジ有効長さ: 24.17 mm
 オネジ有効径: 19 mm以上
 THREAD PER 25.4mm (1 INCH): 14
 PITCH: 1.8143 mm
 THREAD LENGTH: 15.17 mm
 PITCH DIAMETER: 24.17 mm



注記
 指定外の寸法公差は表1による。

NOTE
 TABLE 1 INDICATES TOLERANCE OF DIMENSIONS.

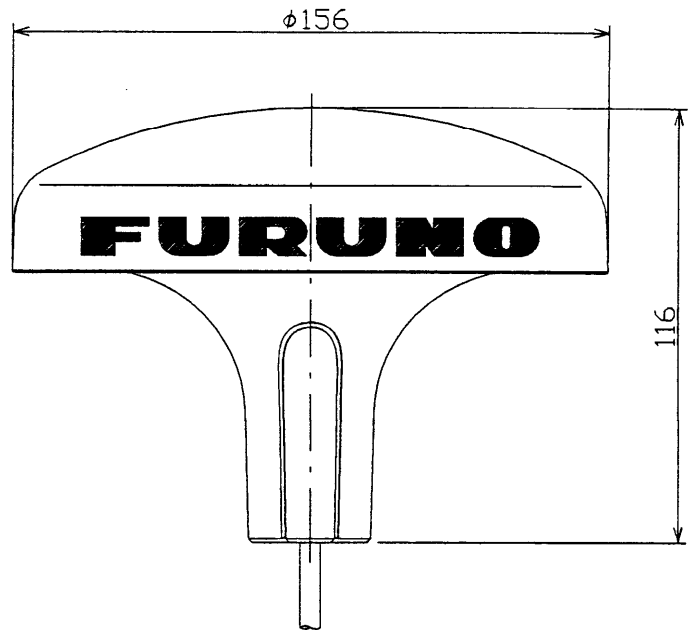
型式 TYPE	ケーブル長(m) CABLE LENGTH	プラグ PLUG	質量 MASS
GPA-017	10	TNC-P-3	585±30g
GPA-017S	0.2	TNC-J-3	125±30g

表2 TABLE 2

DRAWN July 22 '02 T.YAMASAKI	TITLE GPA-017/017S
CHECKED July 22 '02 Y.KIWA	名称 空中線部
APPROVED July 22 '02 Y.KIWA	外寸図
SCALE 1/1 MASS TABLE 2 表2参照	NAME ANTENNA UNIT
DWG.No. C4384-G04-H	OUTLINE DRAWING

寸法区分(mm) DIMENSION	公差(mm) TOLERANCE
$L \leq 50$	± 1.5
$50 < L \leq 100$	± 2.5
$100 < L \leq 500$	± 3

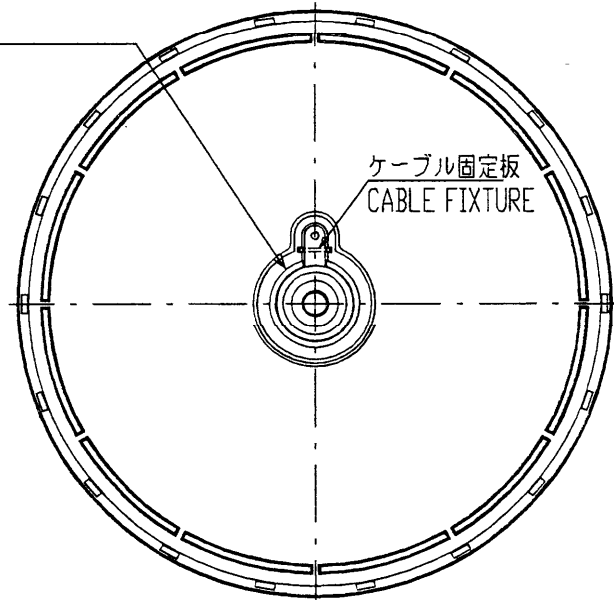
表 1 TABLE 1



1-14UNS1B

ねじ山数(25.4mmにつき): 14
 ピッチ: 1.8143 mm
 オネジ有効長さ: 15.17 mm
 オネジ有効径: 24.17 mm

THREAD PER 25.4mm (1 INCH): 14
 PITCH: 1.8143 mm
 THREAD LENGTH: 15.17 mm
 PITCH DIAMETER: 24.17 mm



型式 TYPE	ケーブル長(m) CABLE LENGTH	プラグ PLAG	質量(kg) MASS
GPA-019	10	TNC-P-3	1.0
GPA-019S	0.2	TNC-J-3	0.54

表 2 TABLE 2

注記: 指定外の寸法公差は表1による

NOTE: TABLE 1 INDICATES TOLERANCE OF DIMENSIONS.

DRAWN July 22 '02 T.YAMASAKI	TITLE GPA-019/019S
CHECKED July 22 '02 Y.K'ura	名称 空中線部
APPROVED July 22 '02 Y.K'ura	外寸図
SCALE 1/2	NAME ANTENNA UNIT
DWG. No. C4400-G01-E	OUTLINE DRAWING

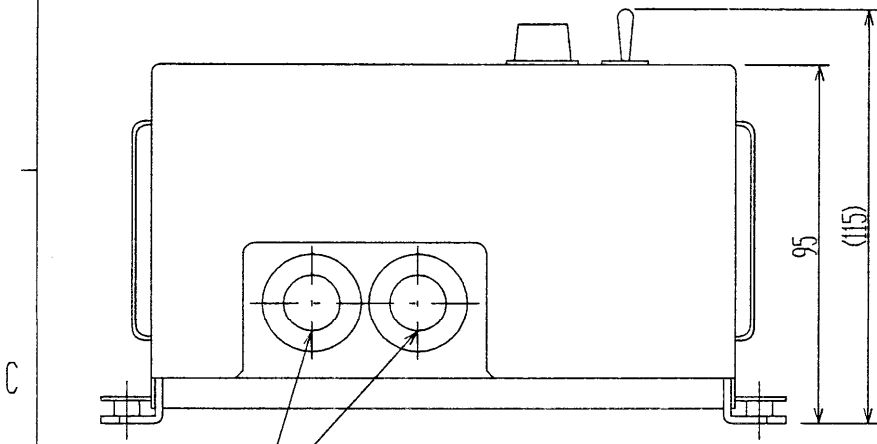
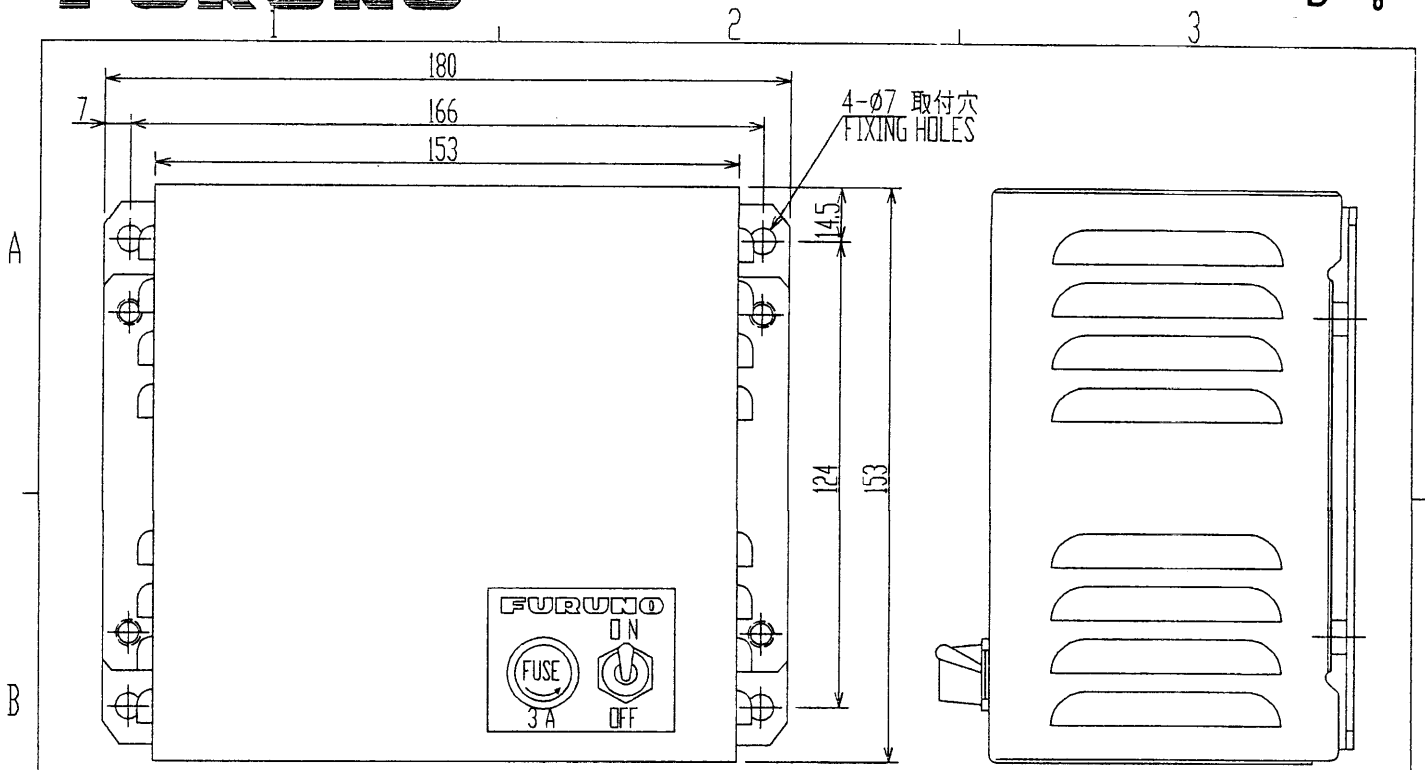


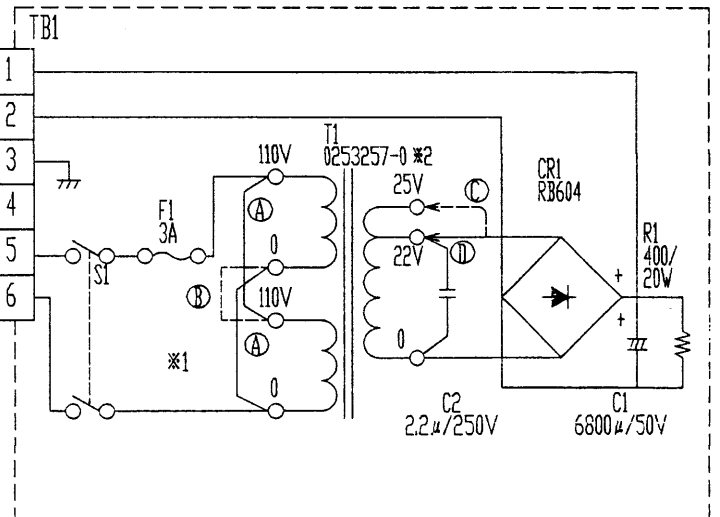
表1 TABLE 1

寸法区分(mm) DIMENSION	公差(mm) TOLERANCE
0 < L ≤ 50	±1.5
50 < L ≤ 100	±2.5
100 < L ≤ 500	±3

ケーブル導入口
CABLE ENTRY

24VDC
OUTPUT
(2.5A max)

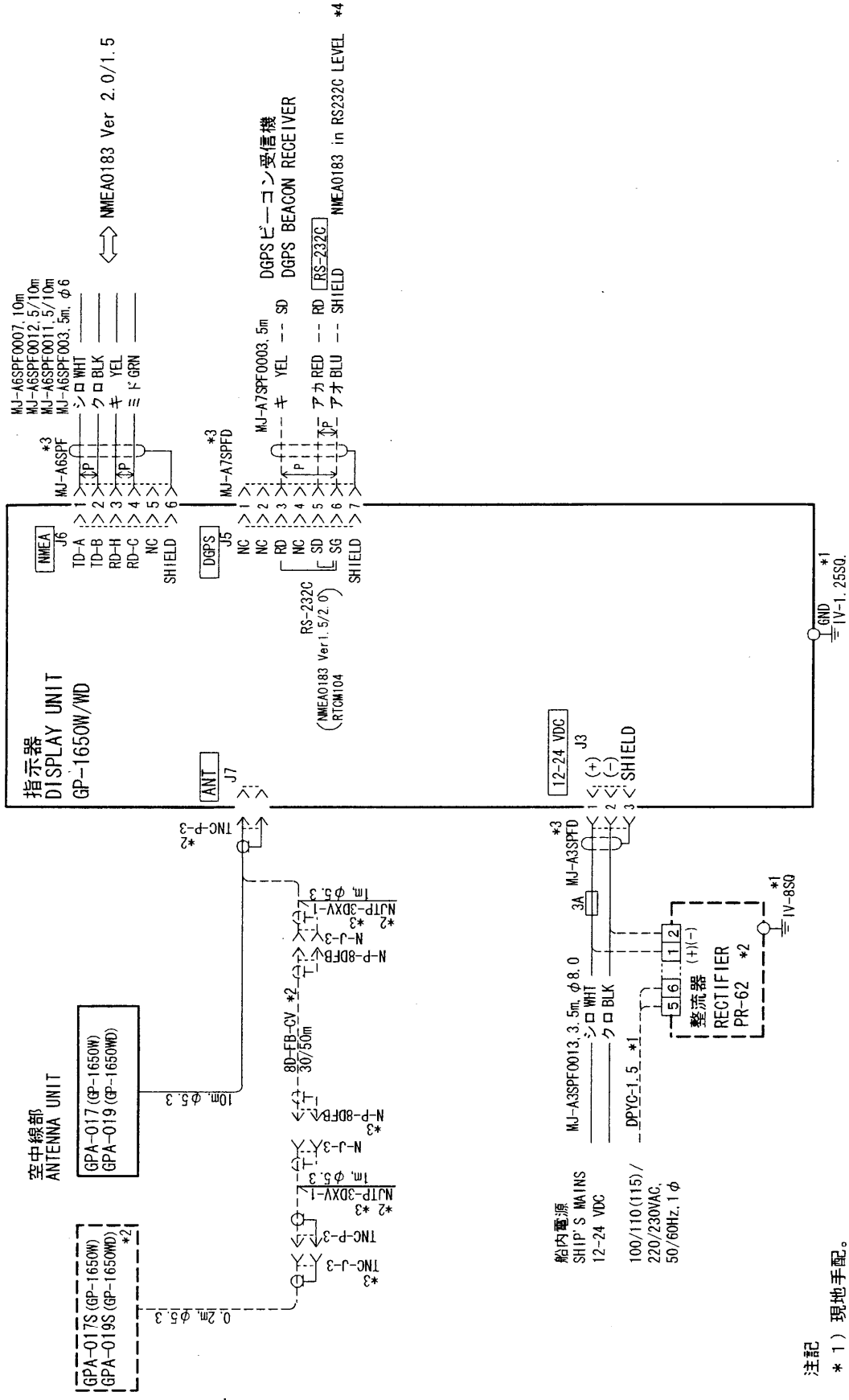
AC INPUT



入力電圧に応じて接続を変更して下さい。
CHANGE TAP CONNECTIONS DEPENDING ON SUPPLY VOLTAGE.

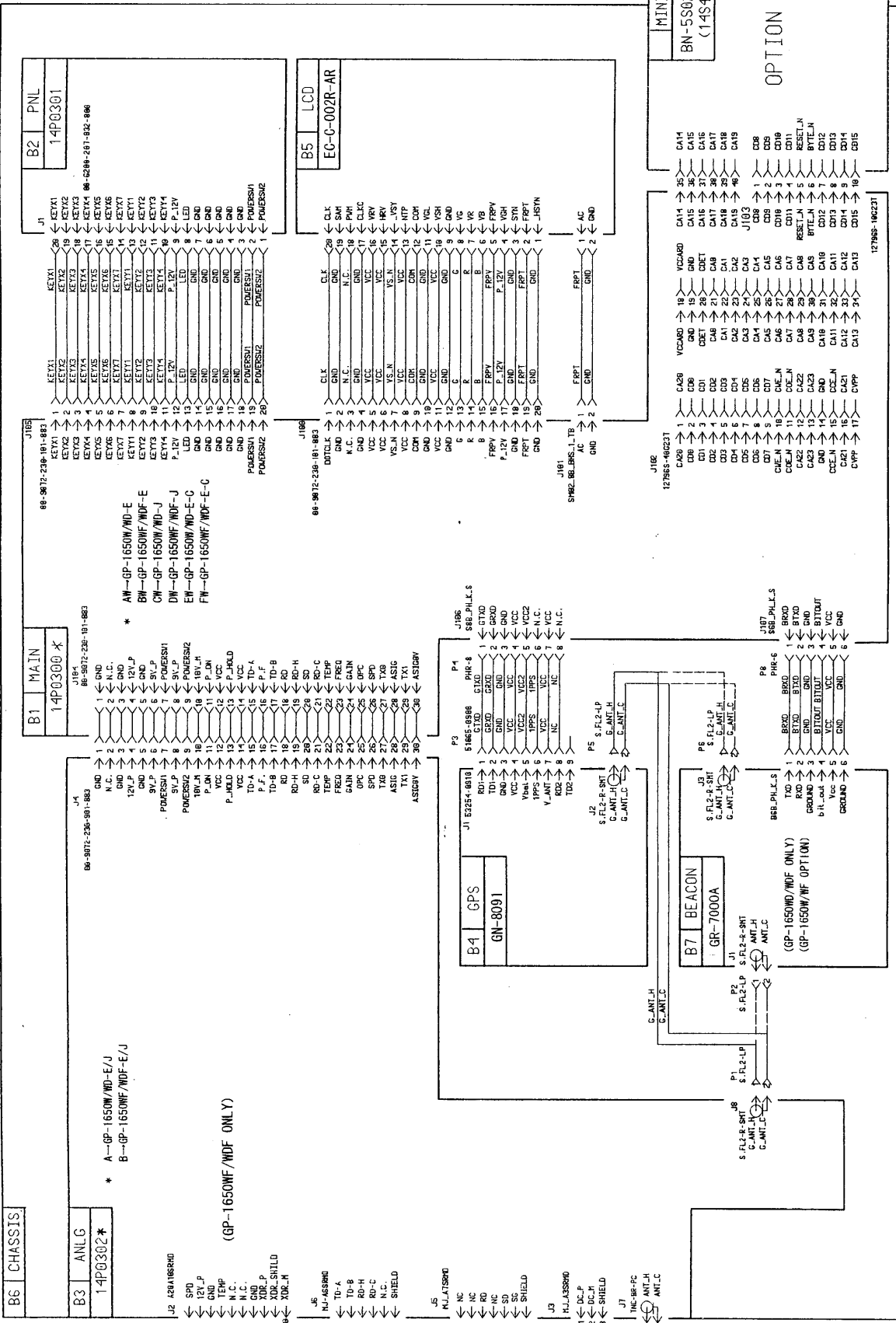
	AC100V	AC110/ 115V	AC220V	AC230V
※1	(A)	(A)	(B)	(B)
※2	(C)	(D)	(D)	(D)

DRAWN Sep. 14 '01 T.YAMASAKI	TITLE PR-62
CHECKED S. YAMASAKI	名称 整流器
APPROVED S. YAMASAKI	外寸図
SCALE 1/2 MASS 3 ±10% kg	NAME RECTIFIER
DWG.No. C5003-034-E	OUTLINE DRAWING



DRAWN JULY 22 '02 T. YAMASAKI	TITLE GP-1650W/WD
CHECKED JULY 22 '02 Y. K. I.	名称 GPS/DGPSプロッタ
APPROVED JULY 22 '02 Y. K. I.	相互結線図
SCALE 1/1000	NAME GPS/DGPS PLOTTER
DWG. No. 04424-C01-A	INTERCONNECTION DIAGRAM

NOTE
 *1. LOCAL SUPPLY.
 *2. OPTION.
 *3. FITTED AT FACTORY.
 *4. OPTIONAL LEVEL CONVERTER REQUIRED FOR CURRENT LOOP OR RS422 OUTPUT.



DRAWN 02/07/22 T. YAMASAKI	CHECKED 02/07/22 Y. K.	APPROVED 02/17/22 Y. K.	SCALE 1/1	DATE 02/07/22	TYPE GP-1650W/WD/WF/WDF	NAME 指示器 (総合)
					MODEL GP-1650W/WD	回路図
					BLOCK No.	DISPLAY UNIT
					14-062-0001-2	SCHEMATIC DIAGRAM
					14-062-K01-A	FURUNO ELECTRIC CO., LTD.

