

FLIR TAU2

GIGE MODULE



- FLIR TAU 2 Fully Compatible
- GigE Vision Protocol and PoE
- Linux & Windows SDK library

Brochure



GigE Module for FLIR TAU2

Introduction

GigE module is designed and manufactured by Workswell for easy and user-friendly PC connection for all FLIR TAU2 cores. GigE module supports slow as well as fast TAU2 versions and automatically detects image stream from core. TAU2 core is controlled and supplied from GigE module through 50pins Hirose interface connector. Whole internal electronics is protected by metal enclosure.

GigE Module is supplied directly from Ethernet cable (PoE) and its low power module consumption decreases a need for special cooling. GigE module is fully compatible with GigE Vision 2.0 and GenICam protocol, ensuring interoperability in a multi-vendor environment. The product uses precision time protocol to synchronize image.

Workswell CorePlayer software automatically detect GigE module, TAU2 core type or wrong IP address settings. Pixel resolution is setup for specific core in 8 or 14 RAW data format. Temperature values can be shown in different color palletes with interactive side bar and measurement tools. Users can manage core parameters such as Gain, NUC, Factory Reset, etc. There is also tutorial application, Linux and Windows dll libraries and C# application code available. CorePlayer Application is included for free of charge in every GigE module package.

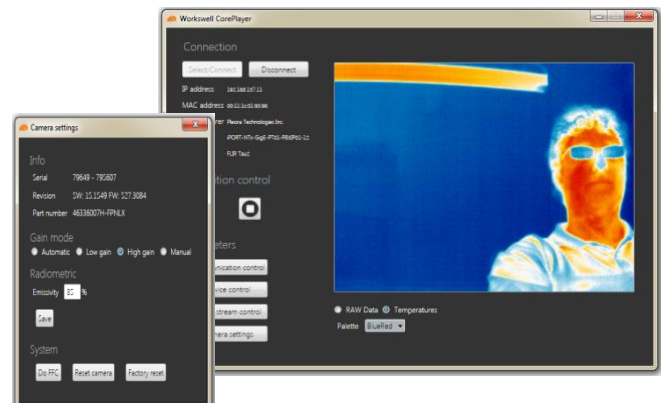


Characteristics

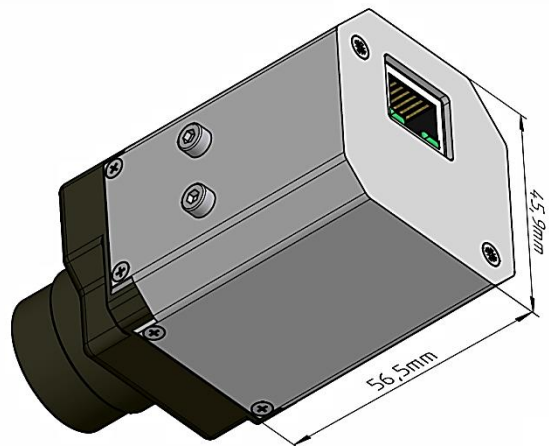
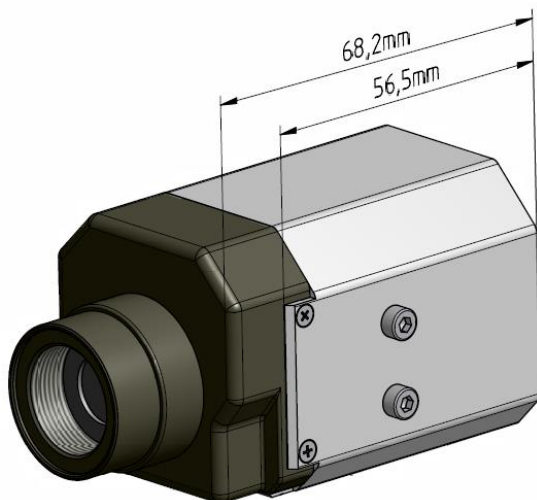
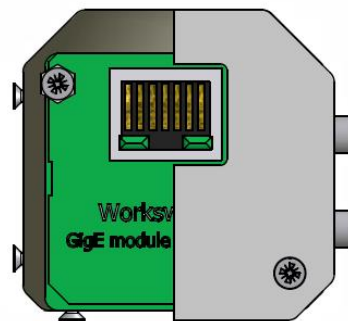
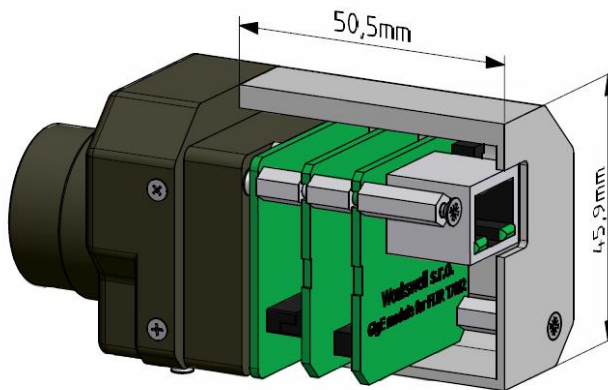
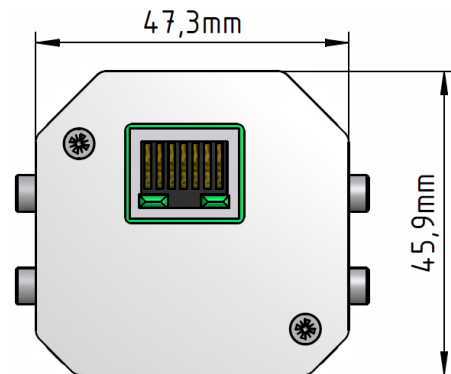
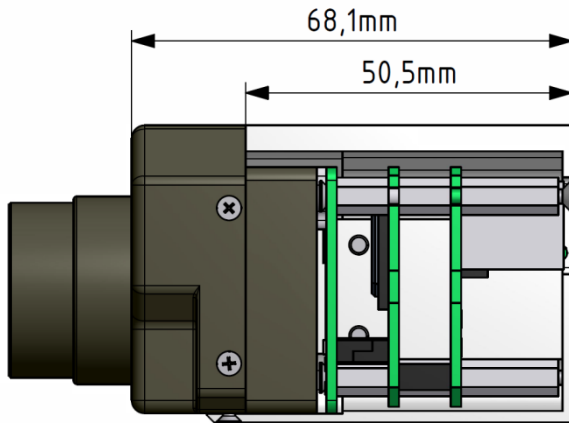
Interface and Connector	1000Gb/s Ethernet RJ45
Communication Protocol	GigE Vision and GenICam
Power Supply	Power over Ethernet (PoE)
Pixel Depth	8/14 bits RAW data
Pixel Resolution	640 x 512, 336 x 256, 324 x 256, 160 x 128
Image Buffer	128 MB
Camera Control	Serial Command Protocol
Module Dimensions	46 x 48 x 54 mm
Weight	130g (enclosed)

Features

- Power over Ethernet
- TAU2 640, 336, 324 and 160px compatibility
- Free Configuration Software CorePlayer
- Easy Connection to TAU2 cameras
- Metal Enclosure with fixing screws
- Tutorial App with Linux & Windows dll
- Low Power Module Consumption
- Automatic TAU2 Recognition
- Raw Data or Temperature Output
- Slow and Fast TAU2 version Support



Mechanical drawings with FLIR TAU2



Ordering information

Products information and Pricelist

Product	Ordering code	Delivery Time	Price 1-9	Price 10+
GigE module package – fully enclosed	P-GIGE-001	3 Weeks	1 200 EUR	990 EUR
GigE module package - only electronics	P-GIGE-002	3 Weeks	1 100 EUR	890 EUR
SW CorePlayer – additional license	P-GIGE-003	On stock	120 EUR	90 EUR

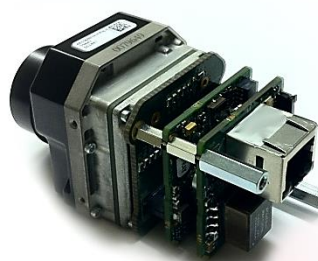
Accessories	Ordering Code	Delivery Time	Price 1-9	Price 10+
PoE injector	A-GIGE-002	On stock	75 EUR	55 EUR
Ethernet cable 3m	A-GIGE-001	On stock	15 EUR	9 EUR

Content of Delivery

GigE module package – fully enclosed / P-GIGE-001		
GigE module – fully enclosed	1 pcs	1 year Warranty
SW CorePlayer	1 license	-
Tutorial application in C#, Linux and Windows dll library	1 pcs	-
Ethernet cable 1 m	1 pcs	1 year Warranty
PoE Injector	1 pcs	1 year Warranty



GigE module package – only electronics / P-GIGE-002		
GigE module –without metal enclosure	1 pcs	1 year Warranty
SW CorePlayer	1 license	-
Tutorial application in C#, Linux and Windows dll library	1 pcs	-



GigE Module for FLIR TAU2



Sales information

End user customers shall buy all products directly from Workswell s.r.o. or local sales partners. Contact us to become a local sales partner on info@workswell.cz.

All Workswell products were designed for commercial use only. GigE modules are manufactured primary for nonmilitary use.



Contacts



Sales Department

Phone: +420 725 955 464

Email: info@workswell.cz

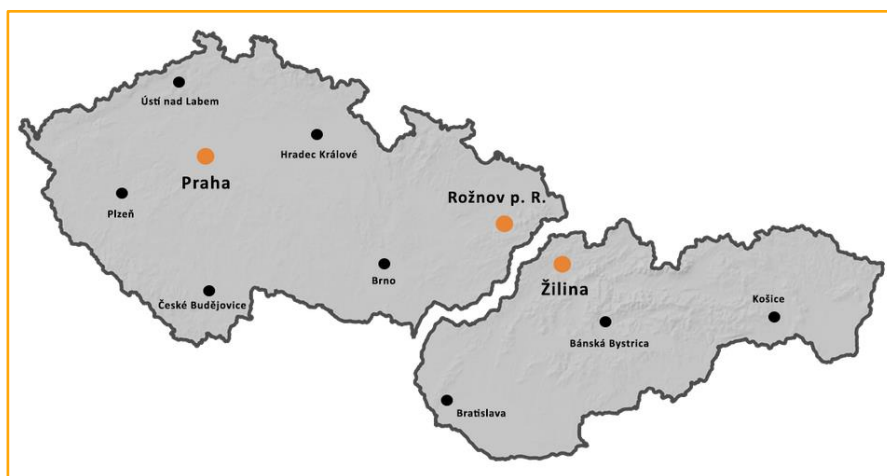
Web: www.workswell.cz

Technical Department

Phone: +420 739 428 433

Email: info@workswell.cz

Web: www.workswell.c



GigE Module for FLIR TAU2

Headquarters

Dr. Zikmunda Wintra 376/5
160 00, Prague 6
Czech Republic

Offices

Mezirická 100
756 61, Rožnov p. R.
Czech Republic

Univerzitní 1
010 08, Žilina
Slovakia

